

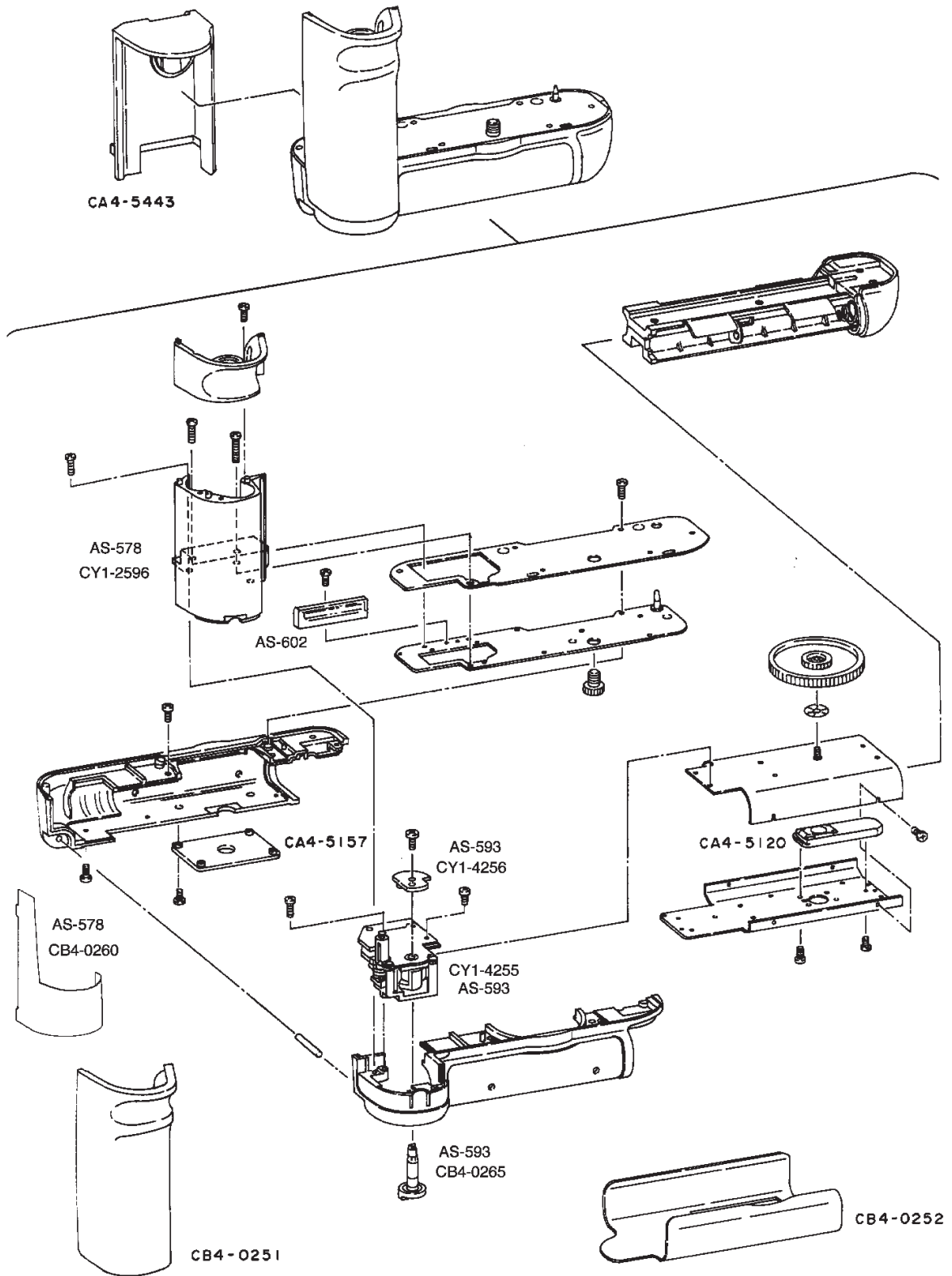
BATTERY PACK BP-E1

C50-1871

PARTS CATALOG

ATTENTION: these documentations are published only for purpose of study and search, they are not published for purpose of profit, all the rights and relative copyrights are of the respective owners. **Free documentation not to sell.**

CANON BATTERY PACK BP-E1



PARTS LIST

REF.NO.C50-1871

Report.No.	NEWPARTS NO.	CLASS	QTY	DESCRIPTION
	CA4-5120-000	D	1	TRIPOD, MD
	CA4-5157-000	D	1	BASE, TRIPOD
	CA4-5443-000	D	1	COVER, CONTACT PROTECTING
	CB4-0251-000	D	1	COVER, GRIP
	CB4-0252-000	D	1	COVER, CASE
AS-578	CB4-0260-000	E	1	ADHESIVE TAPE
AS-593	CB4-0265-000	E	1	SHAFT, BATTERY SWITCHING
AS-578	CY1-2596-000	E	1	B.P.GRIP UNIT
AS-593	CY1-4255-000	E	1	BATTERY SWITCHING UNIT
AS-593	CY1-4256-000	E	1	CONTACT, RESET

ATTENTION: these documentations are published only for purpose of study and search, they are not published for purpose of profit, all the rights and relative copyrights are of the respective owners. **Free documentation not to sell.**