

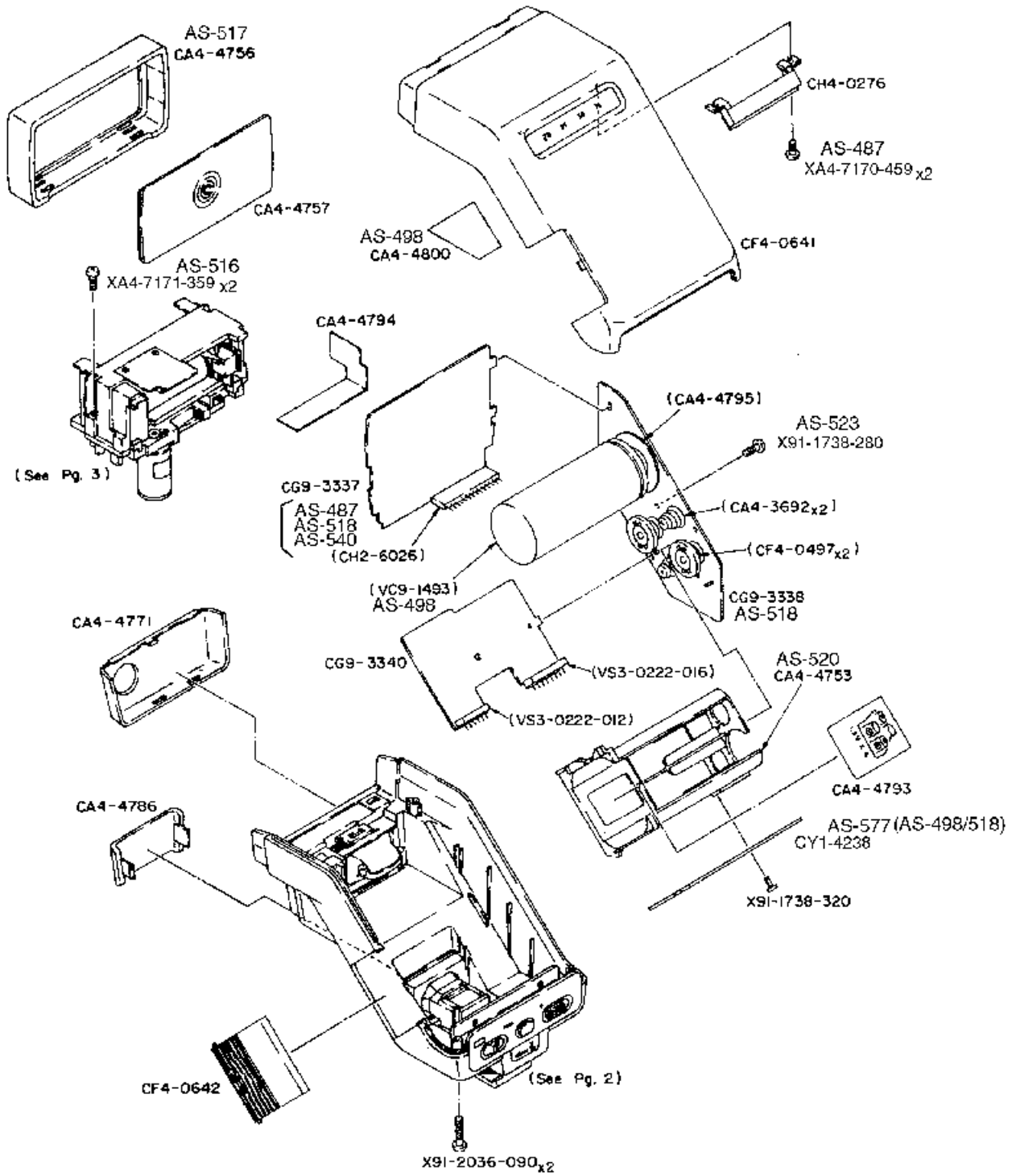
SPEEDLITE 300EZ

C50-0561

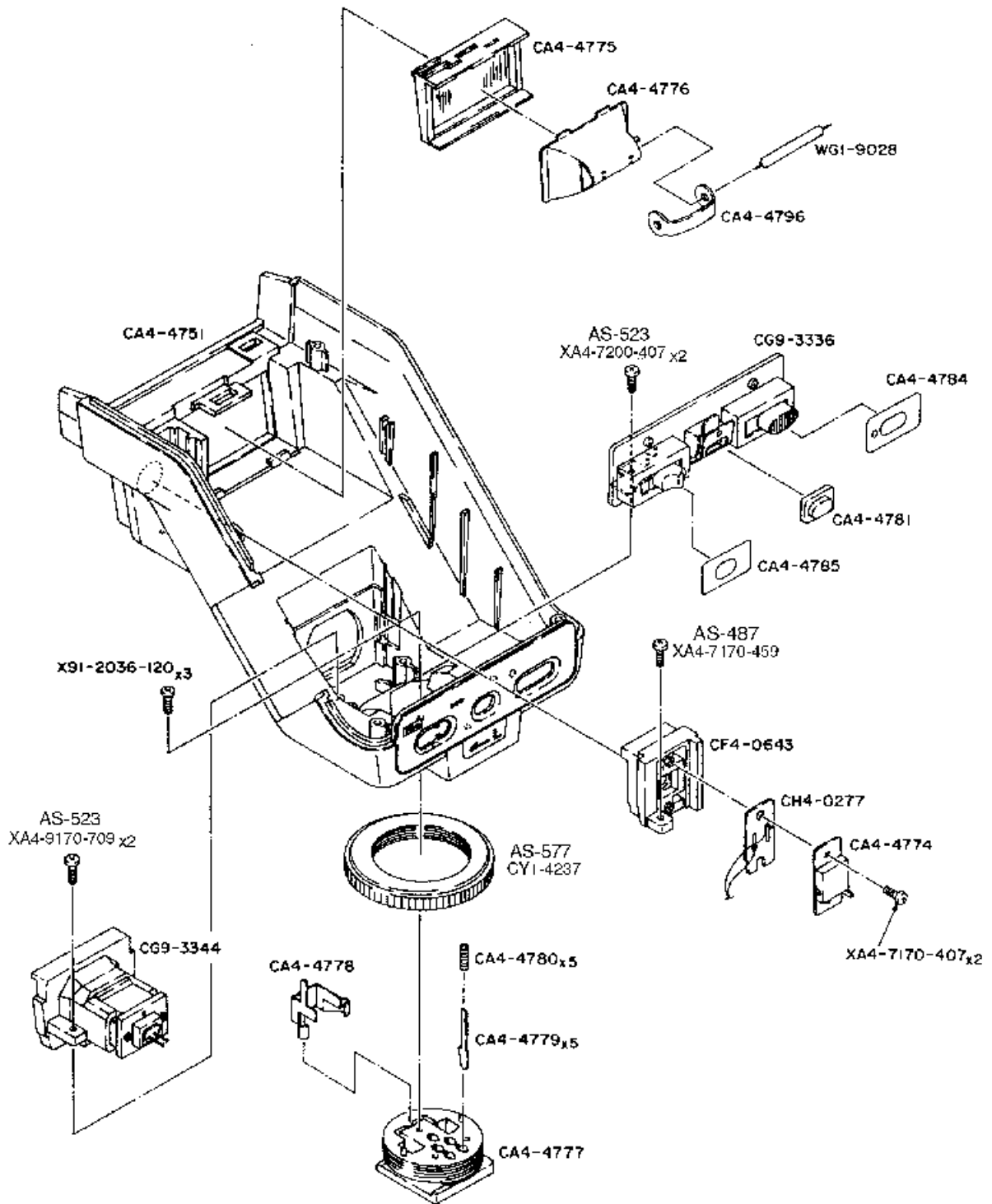
PARTS CATALOG

ATTENTION: these documentations are published only for purpose of study and search, they are **not published for purpose of profit**, all the rights and relative copyrights are of the respective owners. **Free documentation not to sell.**

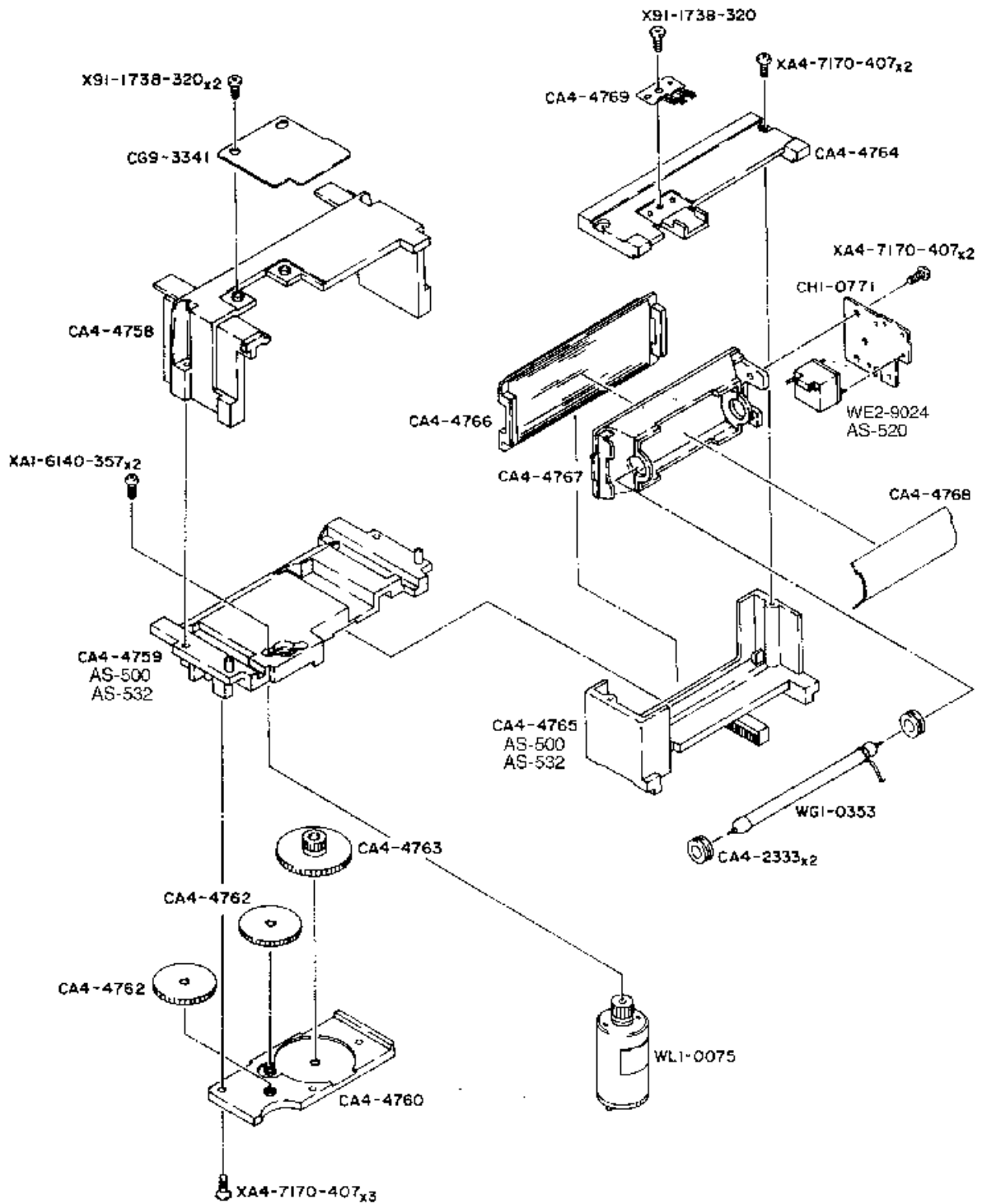
CANON SPEEDLITE 300 EZ



CANON SPEEDLITE 300 EZ



CANON SPEEDLITE 300 EZ



PARTS LIST

REF.NO.C50-0561

Report.No	NEW	PARTS NO.	CLASS	QTY	DESCRIPTION	PAGE
		CA4-2333-000	D	2	BUSH, RUBBER	3
		CA4-4751-000	D	1	COVER, FRONT	2
AS-520		CA4-4753-000	E	1	BOX, BATTERY	1
AS-517		CA4-4756-000	D	1	FRAME, PANEL	1
		CA4-4757-000	D	1	PANEL, FRESNEL LENS	1
		CA4-4758-000	E	1	FRAME, GUIDE	3
AS-500/532		CA4-4759-000	E	1	BASE, ZOOM(A)	3
		CA4-4760-000	E	1	BASE, ZOOM(B)	3
		CA4-4762-000	E	2	GEAR	3
		CA4-4763-000	E	1	GEAR	3
		CA4-4764-000	E	1	CASE, REFLECTOR(A)	3
AS-500/532		CA4-4765-000	E	1	CASE, REFLECTOR(B)	3
		CA4-4766-000	E	1	PANEL, FRONT	3
		CA4-4767-000	E	1	REFLECTOR, MAIN	3
		CA4-4768-000	E	1	PANEL, REFLECTOR	3
		CA4-4769-000	E	1	CONTACT, ZOOM	3
		CA4-4771-000	E	1	PANEL, PRE	1
		CA4-4774-000	E	1	CASE, SHIELD	2
		CA4-4775-000	E	1	FRESNEL LENS, PRE	2
		CA4-4776-000	E	1	REFLECTOR, PRE	2
		CA4-4777-000	C	1	SHOE	2
		CA4-4778-000	D	1	CONTACT(GND)	2
		CA4-4779-000	D	5	CONTACT	2
		CA4-4780-000	D	5	SPRING, COIL	2
		CA4-4781-000	D	1	BUTTON, TEST	2
		CA4-4784-000	D	1	PLATE, MAIN SW	2
		CA4-4785-000	D	1	PLATE, MODE	2
		CA4-4786-000	E	1	PANEL, RED	1
		CA4-4793-000	D	1	SEAL, BATTERY INDEX	1
		CA4-4794-000	E	1	SHEAT, INSULATE	1
		CA4-4796-000	E	1	RETAINER, RUBBER	2
AS-498		CA4-4800-000	E	1	SHEET	1
		CF4-0641-000	D	1	COVER, REAR	1
		CF4-0642-000	C	1	COVER, BATTERY	1
		CF4-0643-000	E	1	LENS ASSEMBLY	2
		CG9-3336-000	D	1	ELECTRIC PARTS UNIT (S)	2
		CG9-3337-000	D	1	ELECTRIC PARTS UNIT (M)	1
AS-518		CG9-3338-000	D	1	ELECTRIC PARTS UNIT (C)	1
		CG9-3340-000	D	1	ELECTRIC PARTS UNIT (IC-II)	1
		CG9-3341-000	E	1	BOARD, ZOOM CONTACT	3

PARTS LIST

REF.NO.C50-0561

Report.NoNEW	PARTS NO.	CLASS	QTY	DESCRIPTION	PAGE
	CG9-3344-000	D	1	AF LED UNIT	2
	CH1-0771-000	E	1	BOARD, XE	3
	CH4-0276-000	E	1	LED ARRAY	1
	CH4-0277-000	E	1	BOARD PD	2
AS-577	CY1-4237-000	D	1	NUT	2
AS-498/518	CY1-4238-000	D	1	ELECTRIC PARTS UNIT (IC-1)	1
AS-520	WE2-9024-000	D	1	COIL, TRIGGER(SUB)	3
	WG1-0353-000	D	1	LAMP, XENON(MAIN)	3
	WG1-9028-000	C	1	LAMP, XENON	2
	WL1-0075-000	E	1	MOTOR	3
AS-523	X91-1738-280		1	SCREW	1
	X91-1738-320		4	SCREW	1,3
	X91-2036-090		2	SCREW	1
	X91-2036-120		3	SCREW	2
	XA1-6140-357		2	SCREW	3
	XA4-7170-407		9	SCREW	2,3
AS-487	XA4-7170-459		4	SCREW	1,2
AS-516	XA4-7171-359		2	SCREW	1
AS-523	XA4-7200-407		2	SCREW	2
AS-523	XA4-9170-709		2	SCREW	2

ELECTRIC PARTS LIST

REF.NO.C50-0561

REPORT NO.	PARTS NO.	CLASS	QTY	DESCRIPTION
	CA4-3692-000	D	2	CONTACT, BATTERY
	CA4-4795-000	E	1	BOBBIN, COIL
	CF4-0497-000	C	2	BATTERY CONTACT ASS'Y
	CH2-2529-000		1	LEAD BLUE
	CH2-2530-000		1	LEAD WHITE
	CH2-2531-000		1	LEAD RED
	CH2-2532-000		1	LEAD BLACK
	CH2-2538-000		1	LEAD SHIELD
AS487/518/540	CH2-6026-000	D	1	CONNECTOR PC
	CH4-0187-000	D	1	IC 2 SN28878
	CH4-0279-000	D	1	IC 5
AS-538	CH4-1000-000	D	1	IC 1
	T11-3709-000		1	LEAD GREEN
	TY11-3713-000		1	LEAD, BROWN
	VC5-9220-107	E	1	CAPACITOR
	VC5-9240-155	E	1	CAPACITOR
	VC9-0981-000	E	1	CAPACITOR, ELECT
AS-498	VC9-1493-000	D	1	CAPACITOR, MAIN
	VR5-0170-105	E	1	RESISTOR
	VR5-0170-114	E	1	RESISTOR
	VR5-0170-154	E	1	RESISTOR
	VR5-0170-184	E	1	RESISTOR
	VR5-0170-201	E	1	RESISTOR
	VR5-0170-204	E	1	RESISTOR
	VR5-0170-224	E	1	RESISTOR
	VR5-0170-244	E	1	RESISTOR
	VR5-0170-274	E	1	RESISTOR
	VR5-0170-304	E	1	RESISTOR
	VR5-0170-364	E	1	RESISTOR
	VR5-0170-391	E	1	RESISTOR
	VR5-0170-394	E	1	RESISTOR
	VR5-0170-434	E	1	RESISTOR
	VR5-0170-474	E	1	RESISTOR
	VR5-0170-564	E	1	RESISTOR
	VR5-0170-621	E	1	RESISTOR
	VR5-0170-624	E	1	RESISTOR
	VR5-0170-684	E	1	RESISTOR
	VR5-0170-821	E	1	RESISTOR
	VR5-0170-824	E	1	RESISTOR
	VR5-0170-913	E	1	RESISTOR
	VR5-0170-914	E	1	RESISTOR
	VR5-1000-515	E	1	RESISTOR
	VS3-0222-012	E	1	PIN CONNECTOR
	VS3-0222-016	E	1	PIN CONNECTOR
	WA1-0592-000	E	1	DIODE

ELECTRIC PARTS LIST

REF.NO.C50-0561

REPORT NO.	PARTS NO.	CLASS	QTY	DESCRIPTION
AS-562	WA1-5082-000	E	1	DIODE
	WA2-0257-000	E	1	TRANSISTOR 2SA562TMY
AS-576	WA2-0719-000	D	2	TRANSISTOR 2SB873QR
	WA4-0485-000	D	1	IC 3
	WA4-0714-000	D	1	IC 4
	WA5-0055-000	E	1	SCR CRO2AM-8
	WA5-0086-000	D	1	SCR
	WE1-0021-000	E	1	TRANSFORMER
	WE2-9024-000	D	1	COIL, TRIGGER KP-24A
	WK2-0304-000	E	1	CERAMIC OSCILLATOR
	Y11-3703-000		1	LEAD RED
	Y11-3706-000		1	LEAD ORANGE
	Y11-3707-000		1	LEAD YELLOW
	Y11-3711-000		1	LEAD BLUE
	Y11-3901-000		2	LEAD WHITE
	Y11-3902-000		3	LEAD BLACK
	Y11-3903-000		3	LEAD RED
	Y11-3906-000		2	LEAD ORANGE
	Y11-3907-000		2	LEAD YELLOW
	Y11-3909-000		2	LEAD GREEN
	Y11-3911-000		2	LEAD BLUE
	Y11-3912-000		2	LEAD PURPLE
	Y11-3913-000		2	LEAD BROWN
	Y11-3914-000		3	LEAD GRAY
	Y11-5002-000		3	LEAD BLACK
	Y11-5007-000		1	LEAD YELLOW
	Y11-5009-000		1	LEAD GREEN
	Y11-5013-000		1	LEAD BROWN
	Y11-7503-000		2	TUBE, SI RUBBER WHITE

ATTENTION: these documentations are published only for purpose of study and search, they are not published for purpose of profit, all the rights and relative copyrights are of the respective owners. **Free documentation not to sell.**