

Canon

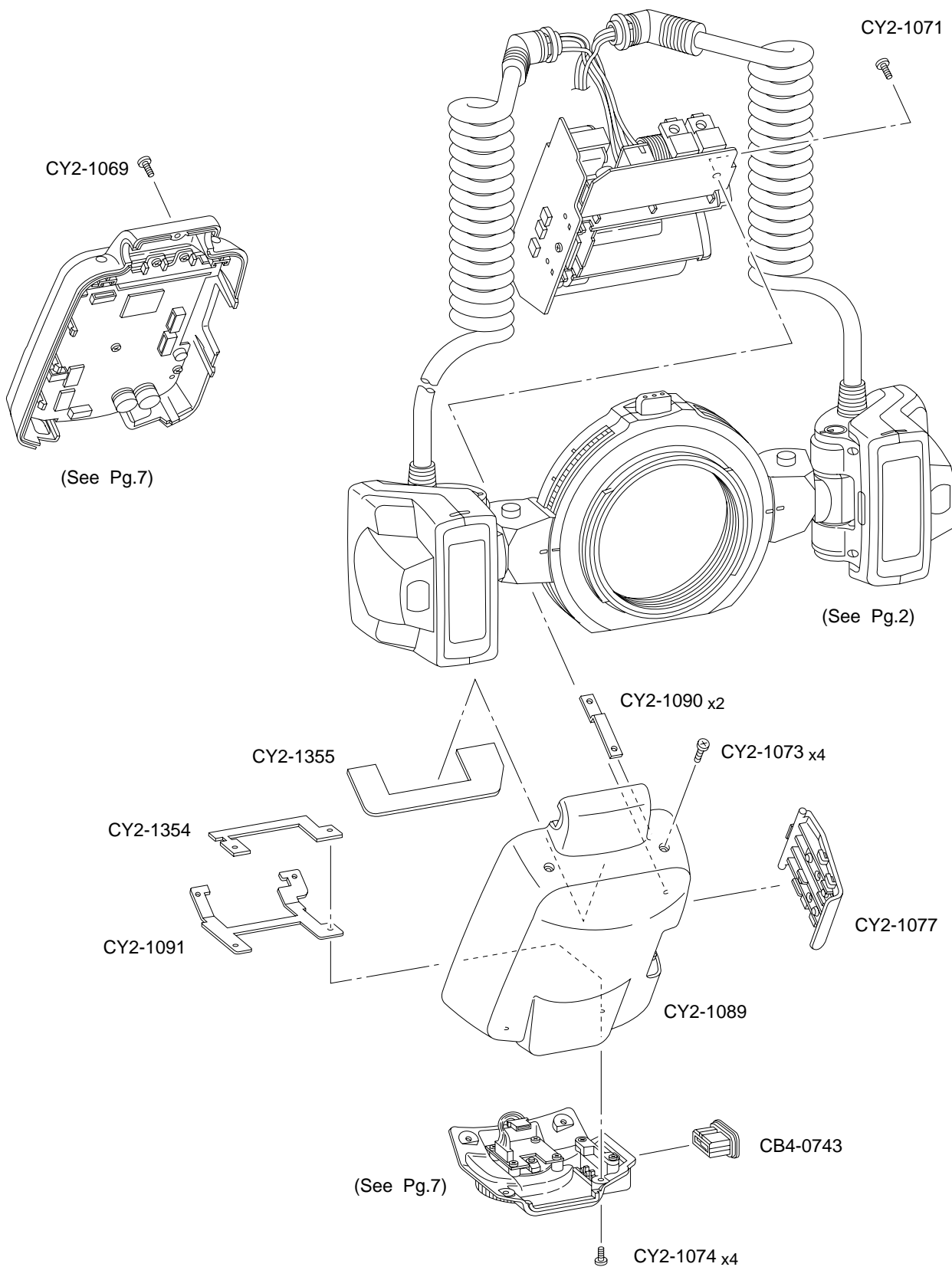
MACRO TWIN LITE MT-24EX

REF.NO. C50-0771

PARTS CATALOG

ATTENTION: these documentations are published only for purpose of study and search, they are **not published for purpose of profit**, all the rights and relative copyrights are of the respective owners. **Free documentation not to sell.**

CANON MACRO TWIN LITE MT-24EX

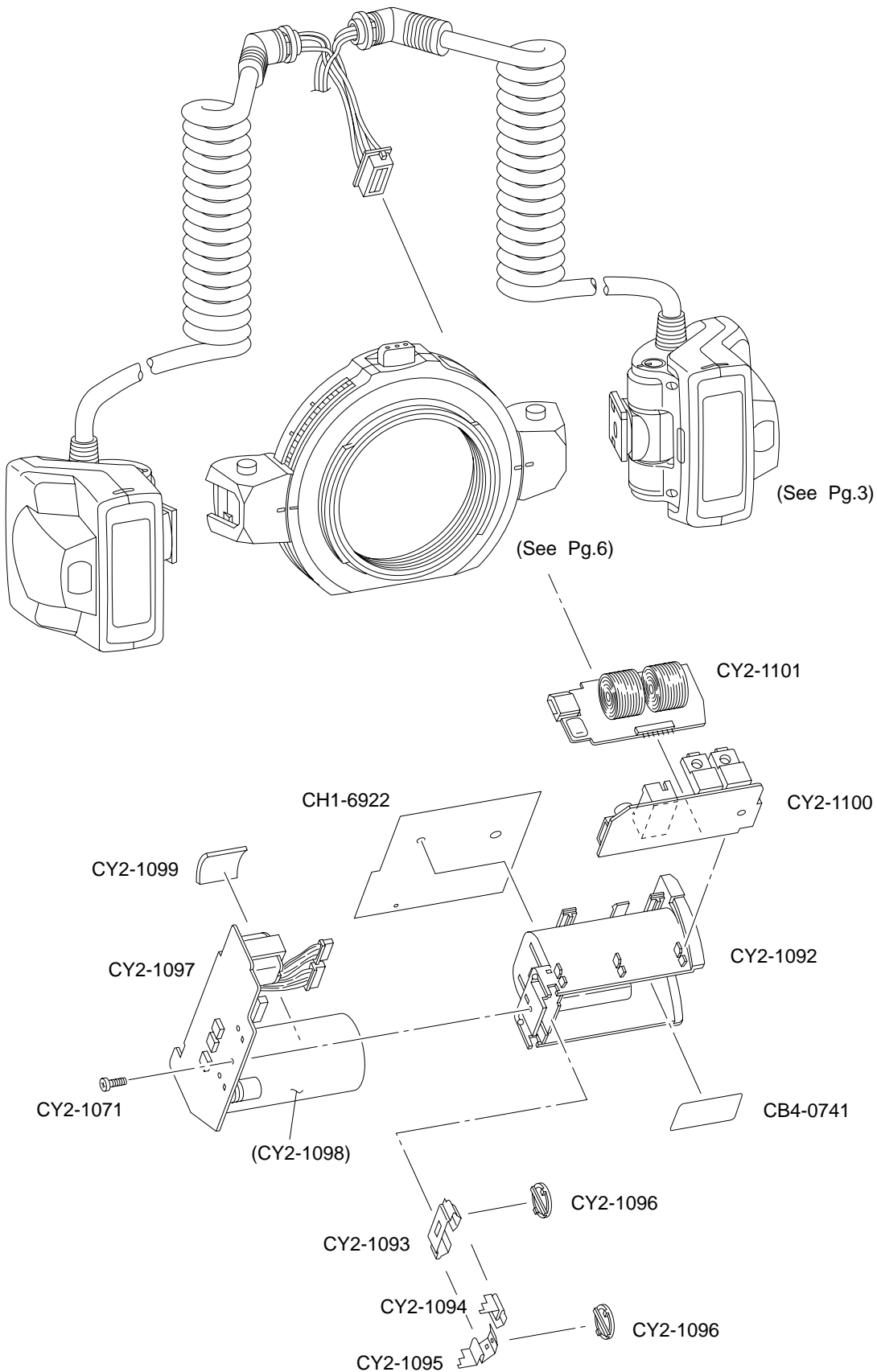


PARTS LIST

REF.No.C50-0771

NEW	PARTS No.	CLASS	DESCRIPTION	Page
	CB4-0743-000	CAP, DUST		1
	CY2-1069-000	1 F	SCREW	1
	CY2-1071-000	1 F	SCREW	1
	CY2-1073-000	4 F	SCREW	1
	CY2-1074-000	4 F	SCREW	1
	CY2-1077-000	COVER ASS'Y, BATTERY		1
	CY2-1089-000	COVER,	FRONT	1
	CY2-1090-000	PLATE,	JOINT (SMALL)	1
	CY2-1091-000	PLATE,	JOINT (LARGE)	1
*	CY2-1354-000	SHEET,	INSULATION (4)	1
*	CY2-1355-000	SHEET,	INSULATION (5)	1

CANON MACRO TWIN LITE MT-24EX

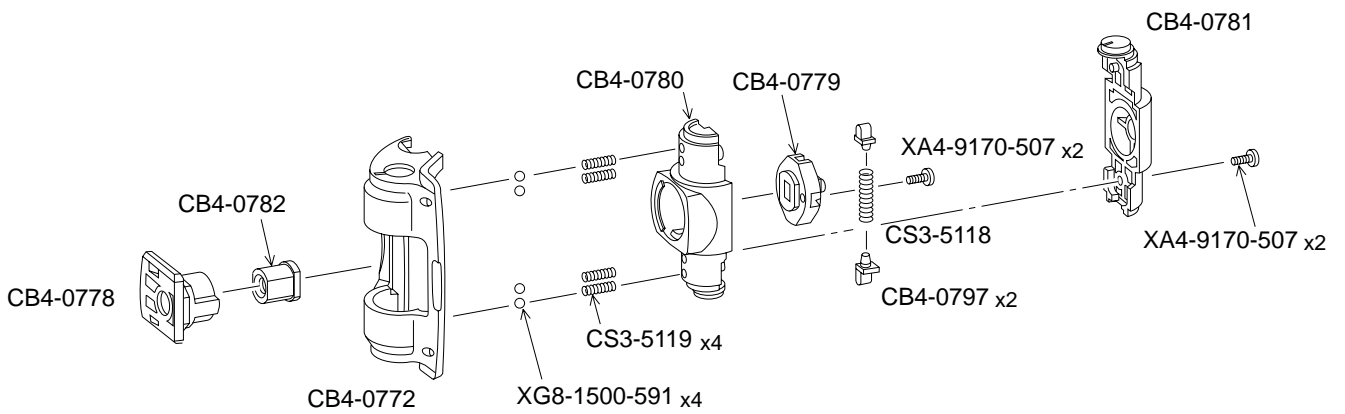
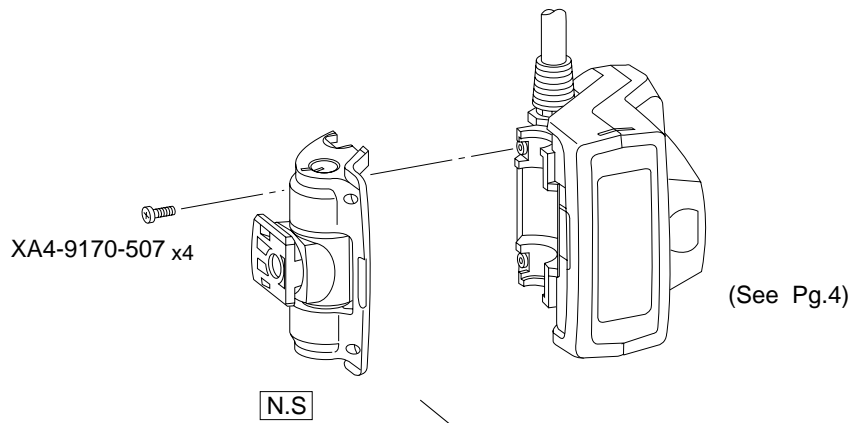


PARTS LIST

REF.No.C50-0771

NEW	PARTS No.	CLASS	DESCRIPTION	Page
	CB4-0741-000	SEAL	BATTERY INDEX	2
*	CH1-6922-000	SHEET	SHIELD	2
	CY2-1071-000	1 F	SCREW	2
	CY2-1092-000	CASE	BATTERY	2
	CY2-1093-000	CONTACT,	BATTERY (LARGE)	2
	CY2-1094-000	CONTACT,	BATTERY (SMALL/+)	2
	CY2-1095-000	CONTACT,	BATTERY (SMALL/-)	2
	CY2-1096-000	RIDGE	CONTACT (-)	2
	CY2-1097-000	PCB ASS'Y, B		2
	CY2-1098-000	CAPACITOR,	MAIN AL-EL	2
	CY2-1099-000	SPONGE,	CUSHION	2
	CY2-1100-000	PCB ASS'Y, HV		2
	CY2-1101-000	PCB ASS'Y,	COIL	2

CANON MACRO TWIN LITE MT-24EX

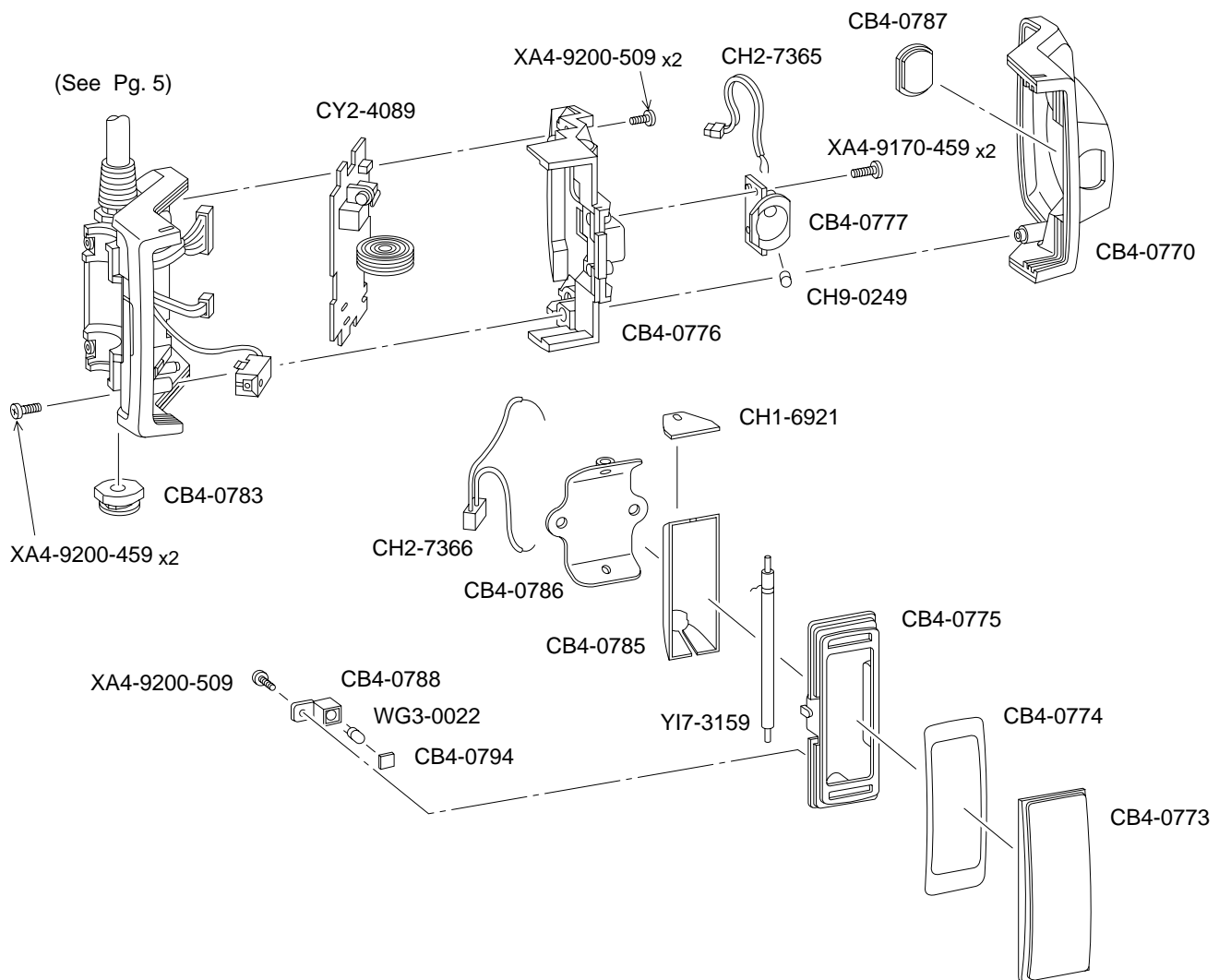


PARTS LIST

REF.No.C50-0771

NEW	PARTS No.	CLASS	DESCRIPTION	Page
*	CB4-0772-000	COVER, FLASH (BOTTOM)		3
*	CB4-0778-000	2 B	FOOT	3
*	CB4-0779-000	BASE, CLICK		3
*	CB4-0780-000	CASE, FOOT		3
*	CB4-0781-000	CAP, FOOT		3
*	CB4-0782-000	SOCKET, TRIPOD		3
*	CB4-0797-000	PIN, CLICK		3
*	CS3-5118-000	SPRING, COIL		3
*	CS3-5119-000	SPRING, COIL		3
*	XA4-9170-506	SCREW, CROSS-RECESS, PH		3
*	XG8-1500-591	BASIC STEEL		3

CANON MACRO TWIN LITE MT-24EX

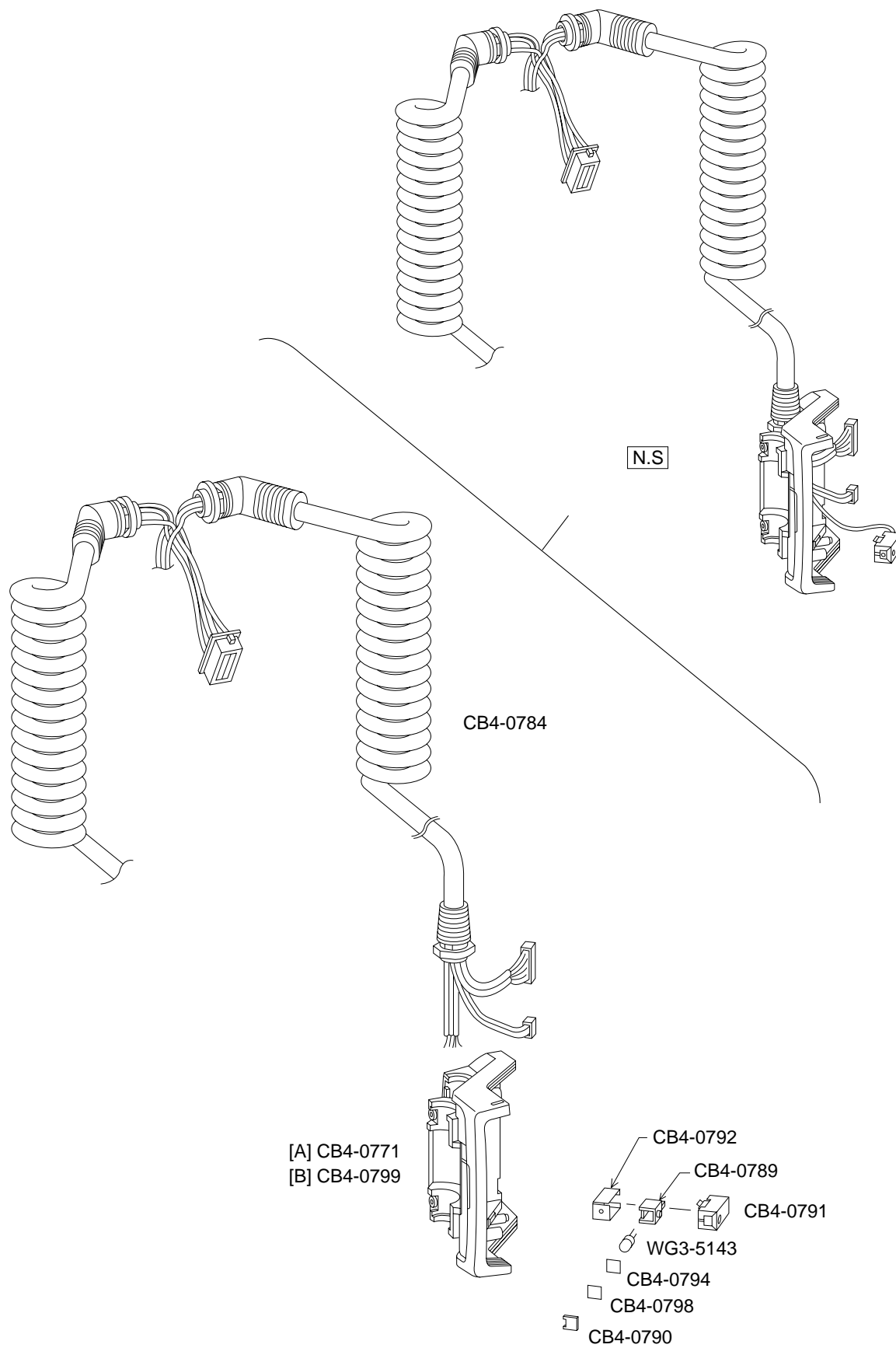


PARTS LIST

REF.No.C50-0771

NEW	PARTS No.	CLASSY	DESCRIPTION	Page
*	CB4-0770-000	COVER, FLASH (UPPER)		4
*	CB4-0773-000	PANEL, FRESNEL		4
*	CB4-0774-000	PANEL, BLIND		4
*	CB4-0775-000	FRAME, REFLECTOR		4
*	CB4-0776-000	COVER, FLASH (INNER)		4
*	CB4-0777-000	REFLECTOR, LAMP		4
*	CB4-0783-000	COVER, RUBBER		4
*	CB4-0785-000	REFLECTOR		4
*	CB4-0786-000	RUBBER, HOLD		4
*	CB4-0787-000	2 B	WINDOW, LAMP	4
*	CB4-0788-000	CASE, SENSOR (A)		4
*	CB4-0794-000	FILTER, BAND PASS		4
*	CH1-6921-000	PCB ASS'Y, XENON		4
*	CH2-7365-000	LEAD ASS'Y, F-LAMP		4
*	CH2-7366-000	LEAD ASS'Y, XENON		4
*	CH9-0249-000	LAMP, KRYPTON		4
*	CY2-4089-000	PCB ASS'Y, FLASH		4
*	WG3-0022-000	PHOTO DIODE		4
*	XA4-9170-459	SCREW, CROSS-RECESS, PH		4
*	XA4-9200-459	SCREW, CROSS-RECESS, PH		4
*	XA4-9200-509	SCREW, CROSS-RECESS, PH		4
	Y17-3159-000	LAMP XENON		4

CANON MACRO TWIN LITE MT-24EX

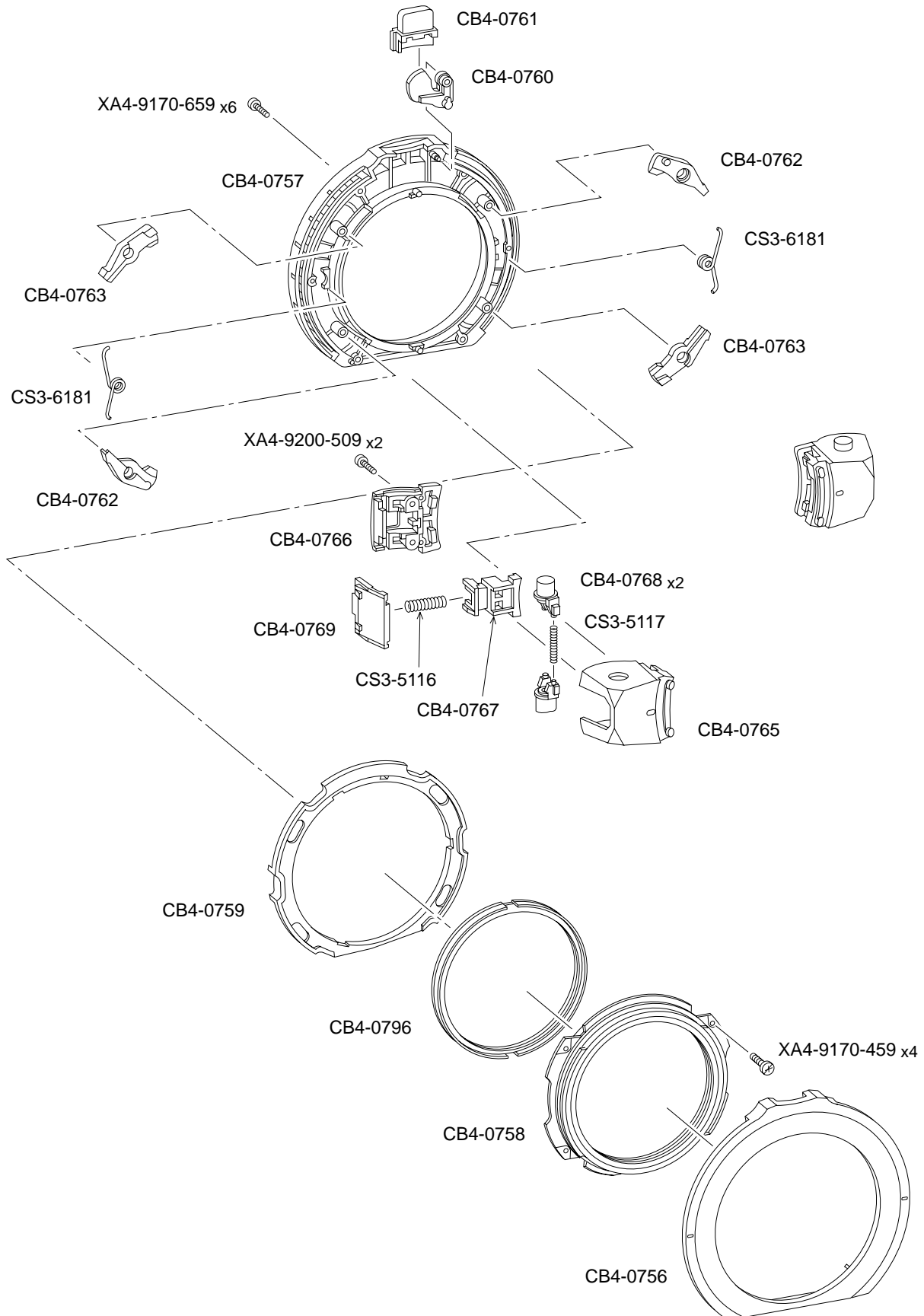


PARTS LIST

REF.No.C50-0771

NEW	PARTS No.	CLASS	DESCRIPTION	Page
*	CB4-0771-000	COVER, FLASH (MIDDLE-A)		5
*	CB4-0784-000	CABLE, CONNECT		5
*	CB4-0789-000	CASE, SENSOR (B)		5
*	CB4-0790-000	CAP, SENSOR (B)		5
*	CB4-0791-000	CAP, SHIELD (A)		5
*	CB4-0792-000	CAP, SHIELD (B)		5
*	CB4-0794-000	FILTER, BAND PASS		5
*	CB4-0798-000	FILTER, ND		5
*	CB4-0799-000	COVER, FLASH (MIDDLE-B)		5
*	WG3-5143-000	PHOTO DIODE		5

CANON MACRO TWIN LITE MT-24EX

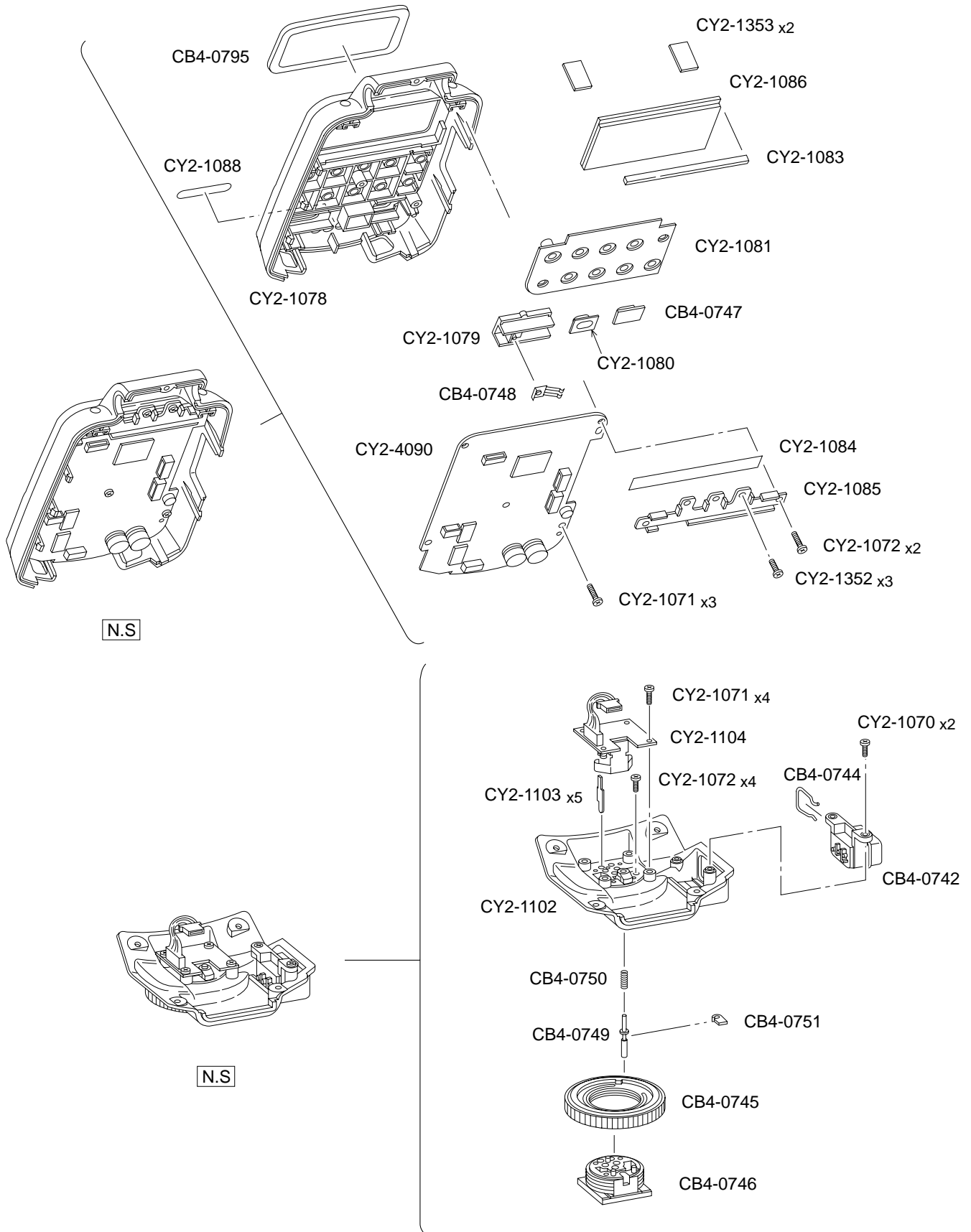


PARTS LIST

REF.No.C50-0771

NEW	PARTS No.	CLASS	DESCRIPTION	Page
*	CB4-0756-000	FRAME, FRONT		6
*	CB4-0757-000	FRAME, REAR		6
*	CB4-0758-000	RING FILTER		6
*	CB4-0759-000	RING LOCK		6
*	CB4-0760-000	CRANK, LOCK		6
*	CB4-0761-000	BUTTON, LOCK		6
*	CB4-0762-000	LEVER, A		6
*	CB4-0763-000	LEVER, B		6
*	CB4-0765-000	SWING	CASE, FRONT	6
*	CB4-0766-000	SWING CASE, REAR		6
*	CB4-0767-000	ARM LOCK		6
*	CB4-0768-000	BUTTON, UNLOCK		6
*	CB4-0769-000	LEVER, UNLOCK		6
*	CB4-0796-000	RING HOLD		6
*	CS3-5116-000	SPRING, COIL		6
*	CS3-5117-000	SPRING, COIL		6
*	CS3-6181-000	SPRING, LEVER		6
*	XA4-9170-459	SCREW, CROSS-RECESS, PH		6
*	XA4-9170-659	SCREW, CROSS-RECESS, PH		6
*	XA4-9200-509	SCREW, CROSS-RECESS, PH		6

CANON MACRO TWIN LITE MT-24EX



PARTS LIST

REF.No.C50-0771

NEW	PARTS No.	CLASSY	DESCRIPTION	Page
	CB4-0742-000	CGI D	CONNECTOR, POWER	7
	CB4-0744-000	SPRING,	CONNECTOR	7
	CB4-0745-000	NUT,SHOE		7
	CB4-0746-000	SHOE		7
	CB4-0747-000	1 D	BUTTON, TEST	7
	CB4-0748-000	CONTACT,	ZOOM	7
	CB4-0749-000	PIN, SHOE LOCK		7
	CB4-0750-000	SPRING,	SHOE LOCK	7
	CB4-0751-000	1 E	KNOB, SWITCH	7
*	CB4-0795-000	1 B	WINDOW, LCD	7
	CY2-1070-000	2 F	SCREW	7
	CY2-1071-000	7 F	SCREW	7
	CY2-1072-000	6 F	SCREW	7
	CY2-1078-000	COVER, REAR		7
	CY2-1079-000	1 C	SWITCH, MAIN	7
	CY2-1080-000	1 C	WINDOW, PILOT LAMP	7
	CY2-1081-000	1 D	SWITCH, MODE	7
	CY2-1083-000	1 D	CONNECTOR, LCD	7
	CY2-1084-000	TAPE) INSULATION		7
	CY2-1085-000	PLATE, REINFORCEMENT		7
	CY2-1086-000	LCDD		7
	CY2-1088-000	COVER, VR		7
	CY2-1102-000	COVER, SHOE		7
	CY2-1103-000	5 E	CONTACT, SHOE	7
	CY2-1104-000	PCB ASS'Y, SHOE		7
*	CY2-1352-000	3 F	SCREW	7
*	CY2-1353-000	SHEET,	INSULATION (3)	7
*	CY2-4090-000	PCB ASS'Y, LCD		7

INDEX OF PARTS LIST

REF.No.C50-0771

NEW	PARTS No. Page	PARTS No. Page	N	
	CB4-0741-000	CB2 -0786-000	4	*
	CB4-0742-000	CB4 -0787-000	4	*
	CB4-0743-000	CB4 -0788-000	4	*
	CB4-0744-000	CB4 -0789-000	5	*
	CB4-0745-000	CB4 -0790-000	5	*
	CB4-0746-000	CB4 -0791-000	5	*
	CB4-0747-000	CB4 -0792-000	5	*
	CB4-0748-000	CB4 -0794-000	4,5	*
	CB4-0749-000	CB4 -0795-000	7	*
	CB4-0750-000	CB4 -0796-000	6	*
	CB4-0751-000	CB4 -0797-000	3	*
*	CB4-0756-000	CB6 -0798-000	5	*
*	CB4-0757-000	CB6 -0799-000	5	*
*	CB4-0758-000	CH6 -6921-000	4	*
*	CB4-0759-000	CH6 -6922-000	2	*
*	CB4-0760-000	CH2 -7365-000	4	*
*	CB4-0761-000	CH2 -7366-000	4	*
*	CB4-0762-000	CH6 -0249-000	4	*
*	CB4-0763-000	CS6 -5116-000	6	*
*	CB4-0765-000	CS6 -5117-000	6	*
*	CB4-0766-000	CS6 -5118-000	3	*
*	CB4-0767-000	CS6 -5119-000	3	*
*	CB4-0768-000	CS6 -6181-000	6	*
*	CB4-0769-000	6	1	CY2-1069-000
*	CB4-0770-000	4	7	CY2-1070-000
*	CB4-0771-000	5	1,2,7	CY2-1071-000
*	CB4-0772-000	3	7	CY2-1072-000
*	CB4-0773-000	4	1	CY2-1073-000
*	CB4-0774-000	4	1	CY2-1074-000
*	CB4-0775-000	4	1	CY2-1077-000
*	CB4-0776-000	4	7	CY2-1078-000
*	CB4-0777-000	4	7	CY2-1079-000
*	CB4-0778-000	3	7	CY2-1080-000
*	CB4-0779-000	3	7	CY2-1081-000
*	CB4-0780-000	3	7	CY2-1083-000
*	CB4-0781-000	3	7	CY2-1084-000
*	CB4-0782-000	3	7	CY2-1085-000
*	CB4-0783-000	4	7	CY2-1086-000
*	CB4-0784-000	5	7	CY2-1088-000
*	CB4-0785-000	4	1	CY2-1089-000

INDEX OF PARTS LIST

REF.No.C50-0771

NEW	PARTS No.	Page	PARTS No.	Page	N
	CY2-1090-000	1			
	CY2-1091-000	1			
	CY2-1092-000	2			
	CY2-1093-000	2			
	CY2-1094-000	2			
	CY2-1095-000	2			
	CY2-1096-000	2			
	CY2-1097-000	2			
	CY2-1098-000	2			
	CY2-1099-000	2			
	CY2-1100-000	2			
	CY2-1101-000	2			
	CY2-1102-000	7			
	CY2-1103-000	7			
	CY2-1104-000	7			
*	CY2-1352-000	7			
*	CY2-1353-000	7			
*	CY2-1354-000	1			
*	CY2-1355-000	1			
*	CY2-4089-000	4			
*	CY2-4090-000	7			
*	WG3-0022-000	4			
*	WG3-5143-000	5			
*	XA4-9170-459	4,6			
*	XA4-9170-507	3			
*	XA4-9170-659	6			
*	XA4-9200-459	4			
*	XA4-9200-509	4,6			
*	XG8-1500-591	3			
	Y17-3159-000	4			

ATTENTION: these documentations are published only for purpose of study and search, they are **not published for purpose of profit**, all the rights and relative copyrights are of the respective owners. **Free documentation not to sell.**