

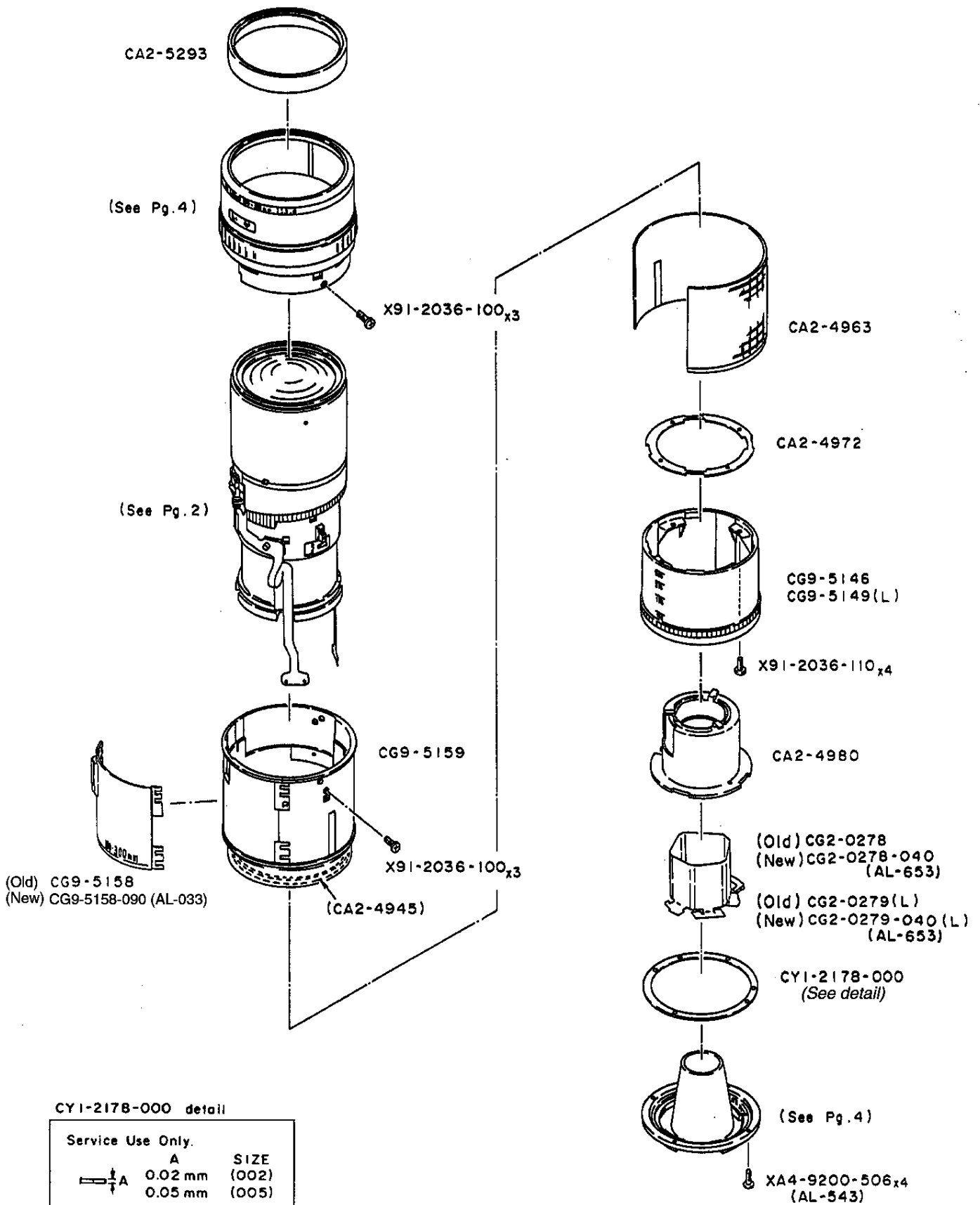
EF100-300mm 1:5.6
EF100-300mm 1:5.6L
REF.NO.C21-9431
REF.NO.C21-9432

PARTS

CATALOG

ATTENTION: these documentations are published only for purpose of study and search, they are not published for purpose of profit, all the rights and relative copyrights are of the respective owners. **Free documentation not to sell.**

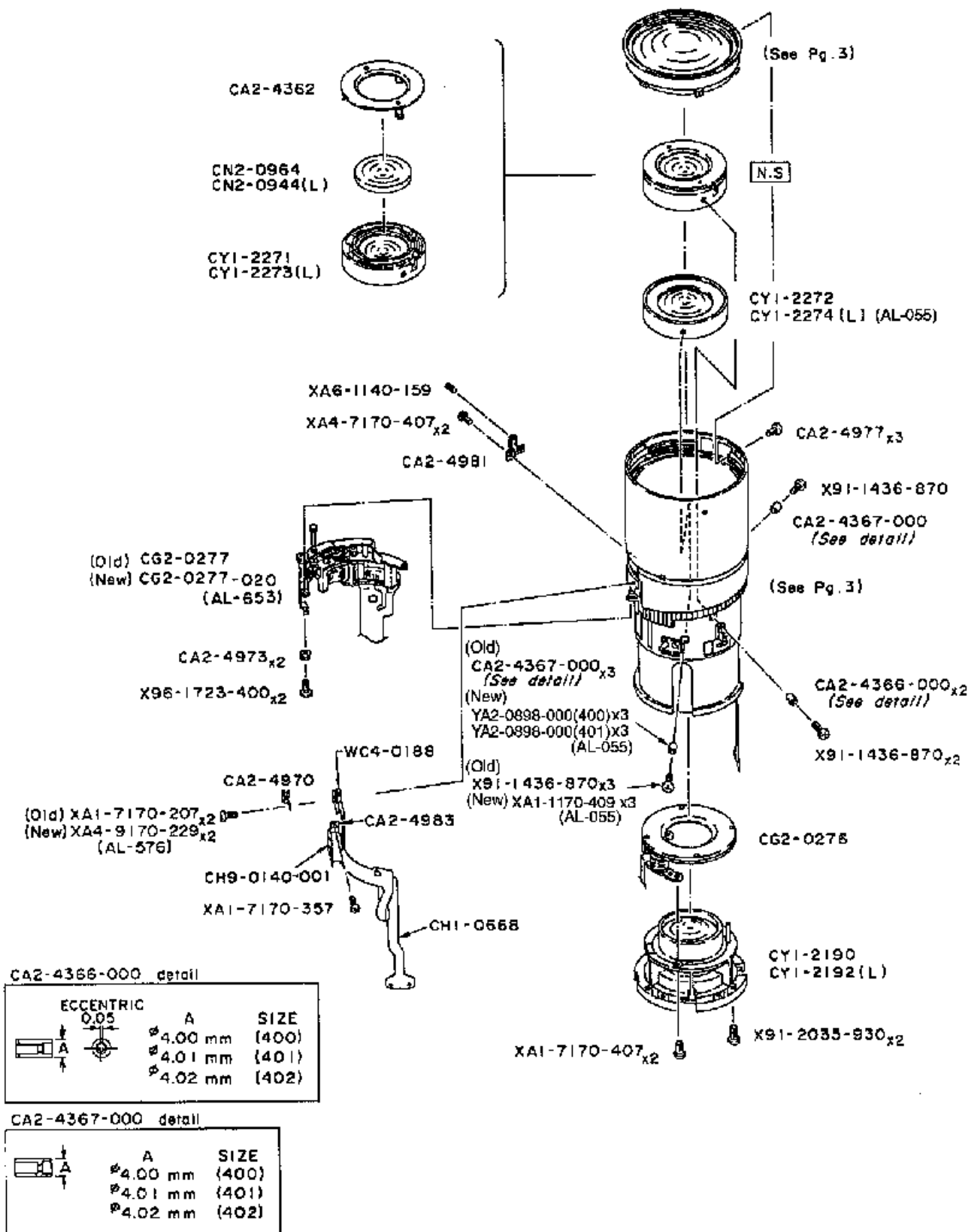
CANON LENS EF 100-300 mm 1:5.6
EF 100-300 mm 1:5.6L



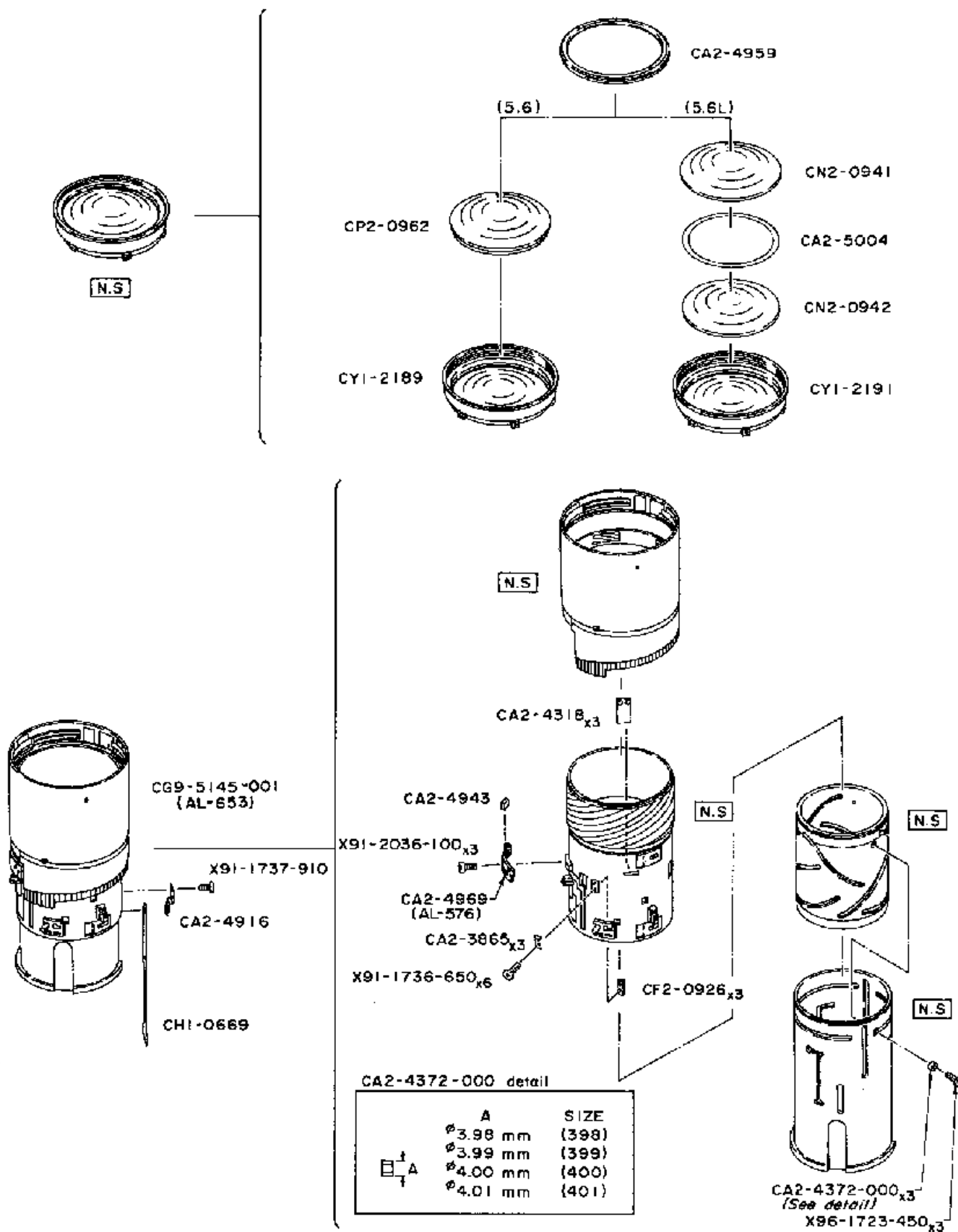
CY1-2178-000 detail

Service Use Only.		
	A	SIZE
	0.02 mm	(002)
	0.05 mm	(005)

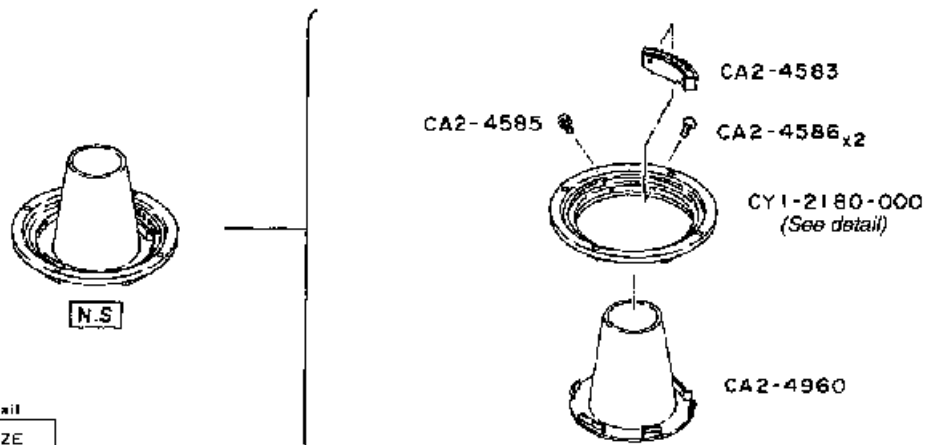
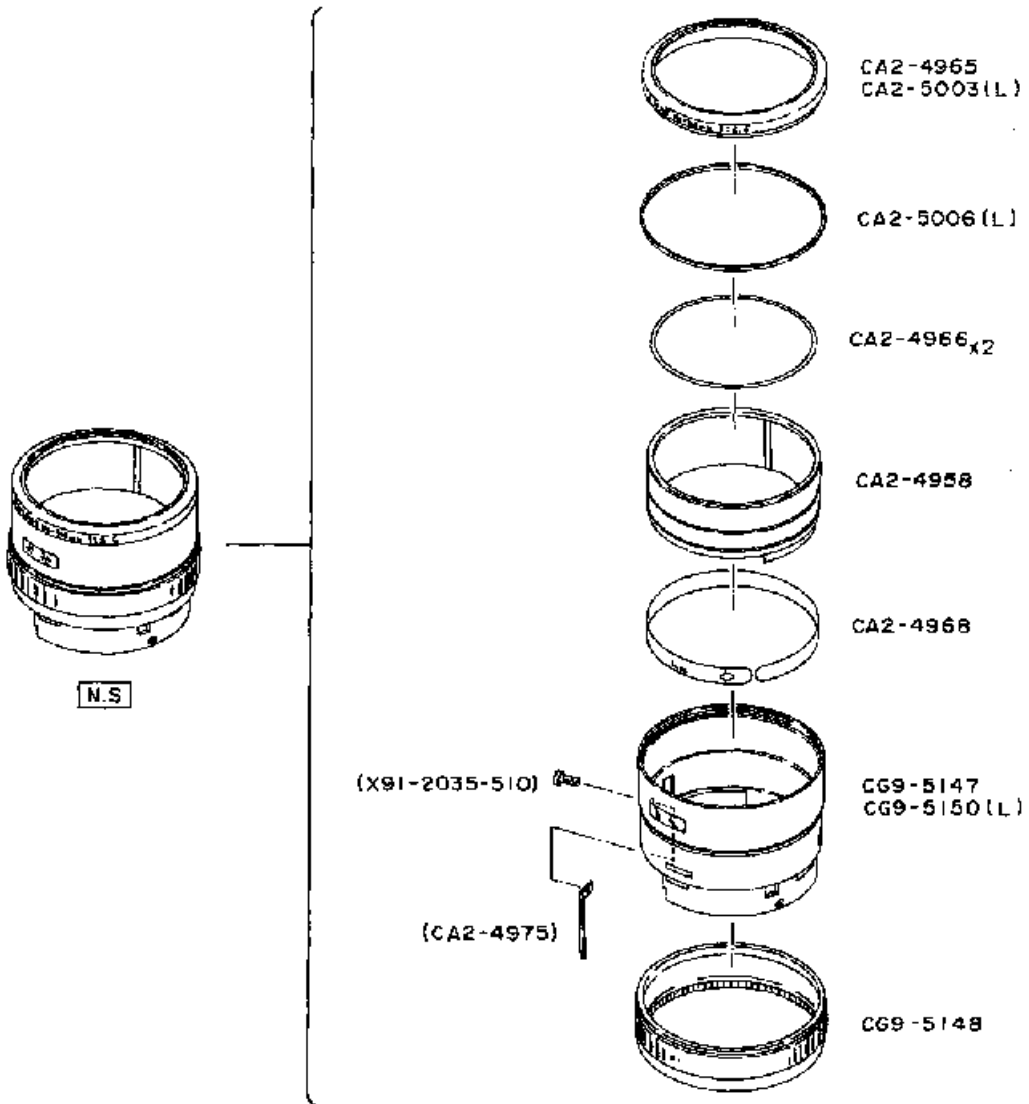
CANON LENS EF 100-300 mm 1:5.6
EF 100-300 mm 1:5.6L



CANON LENS EF 100-300 mm 1:5.6
EF 100-300 mm 1:5.6L



CANON LENS EF 100-300 mm 1:5.6
EF 100-300 mm 1:5.6L



CY1-2180-000(XXX) detail

A	SIZE
2.0 mm	{200}
2.1 mm	{210}
2.2 mm	{220}
2.3 mm	{230}
2.4 mm	{240}
2.5 mm	{250}
2.6 mm	{260}
2.7 mm	{270}

REF.NO.C21-9431,32

PARTS LIST

NEW	PARTS NO.	CLASS	QTY	DESCRIPTION	PAGE	G/L
	CA2-3865-000	E	3	WASHER	3	
	CA2-4318-000	E	3	PLATE, FRICTION	3	
	CA2-4362-000	E	1	COLLAR, ASSEMBLY	2	
	CA2-4366-000 (400)	D	2	COLLAR, ECCENTRIC	2	
	CA2-4366-000 (401)	D	2	COLLAR, ECCENTRIC	2	
	CA2-4366-000 (402)	D	2	COLLAR, ECCENTRIC	2	
	CA2-4367-000 (400)	D	4	COLLAR (OLD)	2	
	CA2-4367-000 (401)	D	4	COLLAR (OLD)	2	
	CA2-4367-000 (402)	D	4	COLLAR (OLD)	2	
	CA2-4372-000 (398)	D	3	COLLAR	3	
	CA2-4372-000 (399)	D	3	COLLAR	3	
	CA2-4372-000 (400)	D	3	COLLAR	3	
	CA2-4372-000 (401)	D	3	COLLAR	3	
	CA2-4583-000	D	1	CONTACT ASS'Y	4	
	CA2-4585-000	E	1	SCREW, MOUNT STOPPER	4	
	CA2-4586-000	E	2	SCREW	4	
	CA2-4916-000	D	1	BRUSH, ZOOMING	3	
	CA2-4943-000	E	1	STOPPER, RUBBER	3	
	CA2-4945-000	E	1	CUSHION	1	
	CA2-4958-000	E	1	RING, FOCUSING	4	
	CA2-4959-000	D	1	COLLAR, ASSEMBLY	3	
	CA2-4960-000	D	1	COVER, BACK	4	
	CA2-4963-000	C	1	RUBBER, ZOOMING	1	
	CA2-4965-000	D	1	RING, NAME	4	G
	CA2-4966-000	E	2	WASHER, DUST SHIELD	4	
	CA2-4968-000	D	1	PLATE, FOCUS SCALE	4	
	CA2-4969-000	E	1	STOPPER, FOCUSING	3	
	CA2-4970-000	E	1	HOLDER, SWITCH	2	
	CA2-4972-000	E	1	WASHER, FOCUS	1	
	CA2-4973-000	D	2	BUSHING, RUBBER	2	
	CA2-4975-000	E	1	PLATE, CONNECTING	4	
	CA2-4977-000	D	3	SCREW	2	
	CA2-4980-000	E	1	BARREL, FLEX	1	
	CA2-4981-000	E	1	ARRESTER, PLAY	2	
	CA2-4983-000	E	1	HOLDER, MODE SWITCH	2	
	CA2-5003-000	D	1	RING, NAME	4	L
	CA2-5004-000	E	1	SPACER	3	L
	CA2-5006-000	E	1	L-RING	4	L
	CA2-5293-000	D	1	PROTECTOR	1	
	CF2-0926-000	E	3	STOPPER	3	
	CG2-0276-000	D	1	POWER DIAPHRAGM UNIT	2	
	CG2-0277-000	D	1	AF DRIVE UNIT (OLD)	2	
	CG2-0277-020	D	1	AF DRIVE UNIT (NEW)	2	
	CG2-0278-000	D	1	MAIN FLEX CBA (OLD)	1	G
	CG2-0278-040	D	1	MAIN FLEX CBA (NEW)	1	G
	CG2-0279-000	D	1	MAIN FLEX CBA (OLD)	1	L
	CG2-0279-040	D	1	MAIN FLEX CBA (NEW)	1	L
	CG9-5145-001	D	1	ZOOMING/FOCUSING UNIT	3	
	CG9-5146-000	D	1	BARREL, FIXED	1	G
	CG9-5147-000	D	1	SLEEVE, WINDOW	4	G

REF.NO.C21-9431,32

PARTS LIST

NEW	PARTS NO.	CLASS	QTY	DESCRIPTION	PAGE	G/L
	CG9-5148-000	D	1	RING, MANUAL FOCUSING	4	
	CG9-5149-000	D	1	BARREL, FIXED	1	L
	CG9-5150-000	D	1	SLEEVE, WINDOW	4	L
	CG9-5158-000	D	1	PANEL, A-M SWITCH (OLD)	1	
	CG9-5158-090	D	1	SWITCH PANEL UNIT (NEW)	1	
	CG9-5159-000	D	1	RING, ZOOMING	1	
	CH1-0668-000	D	1	FLEX, CONNECTING	2	
	CH1-0669-000	D	1	FLEX, ZOOMING	3	
	CH9-0140-001	E	1	SWITCH, SLIDE	2	
	CN2-0941-000	C	1	LENS, G1	3	L
	CN2-0942-000	E	1	LENS, G2	3	L
	CN2-0944-000	E	1	LENS, G4	2	L
	CN2-0964-000	E	1	LENS, G4	2	G
	CP2-0962-000	C	1	LENS,G1/2	3	G
	CY1-2178-000 (002)	E	1	WASHER, MOUNT	1	
	CY1-2178-000 (005)	E	1	WASHER, MOUNT	1	
	CY1-2180-000 (200)	C	1	MOUNT, LENS	4	
	CY1-2180-000 (210)	C	1	MOUNT, LENS	4	
	CY1-2180-000 (220)	C	1	MOUNT, LENS	4	
	CY1-2180-000 (230)	C	1	MOUNT, LENS	4	
	CY1-2180-000 (240)	C	1	MOUNT, LENS	4	
	CY1-2180-000 (250)	C	1	MOUNT, LENS	4	
	CY1-2180-000 (260)	C	1	MOUNT, LENS	4	
	CY1-2180-000 (270)	C	1	MOUNT, LENS	4	
	CY1-2189-000	D	1	BARREL, LENS G3	3	G
	CY1-2190-000	D	1	RELAY LENS UNIT	2	G
	CY1-2191-000	D	1	BARREL, LENS G3	3	L
	CY1-2192-000	D	1	RELAY LENS UNIT	2	L
	CY1-2271-000	D	1	BARREL, LENS G5/6	2	G
	CY1-2272-000	D	1	BARREL, LENS G7/8	2	G
	CY1-2273-000	D	1	BARREL, LENS G5/6	2	L
	CY1-2274-000	D	1	BARREL, LENS G7/8	2	L
	WC4-0188-000	E	1	SWITCH, MICRO	2	
	X91-1436-870		6	SCREW, CROSS-RECESS, PH	2	
	X91-1736-650		6	SCREW, CROSS-RECESS, PH	3	
	X91-1737-910		1	SCREW, CROSS-RECESS, PH	3	
	X91-2035-510		1	SCREW, CROSS-RECESS, PH	4	
	X91-2035-930		2	SCREW, SLOTTED, FFH	2	
	X91-2036-100		9	SCREW, CROSS-RECESS, PH	1,3	
	X91-2036-110		4	SCREW, CROSS-RECESS, PH	1	
	X96-1723-400		2	SCREW, CROSS-RECESS, SHOULDER	2	
	X96-1723-450		3	SCREW, CROSS-RECESS, SHOULDER	3	
	XA1-1170-409		3	SCREW, CROSS-RECESS, PH	2	
	XA1-7170-207		2	SCREW, CROSS-RECESS, PH	2	
	XA1-7170-357		1	SCREW, CROSS-RECESS, PH	2	
	XA1-7170-407		2	SCREW, CROSS-RECESS, PH	2	
	XA4-7170-407		2	SCREW, CROSS-RECESS, PH	2	
	XA4-9170-229		2	SCREW, CROSS-RECESS, PH	2	
	XA4-9200-506		4	SCREW, CROSS-RECESS, PH	1	
	XA6-1140-159		1	SETSCREW, SLOTTED, HLCP	2	

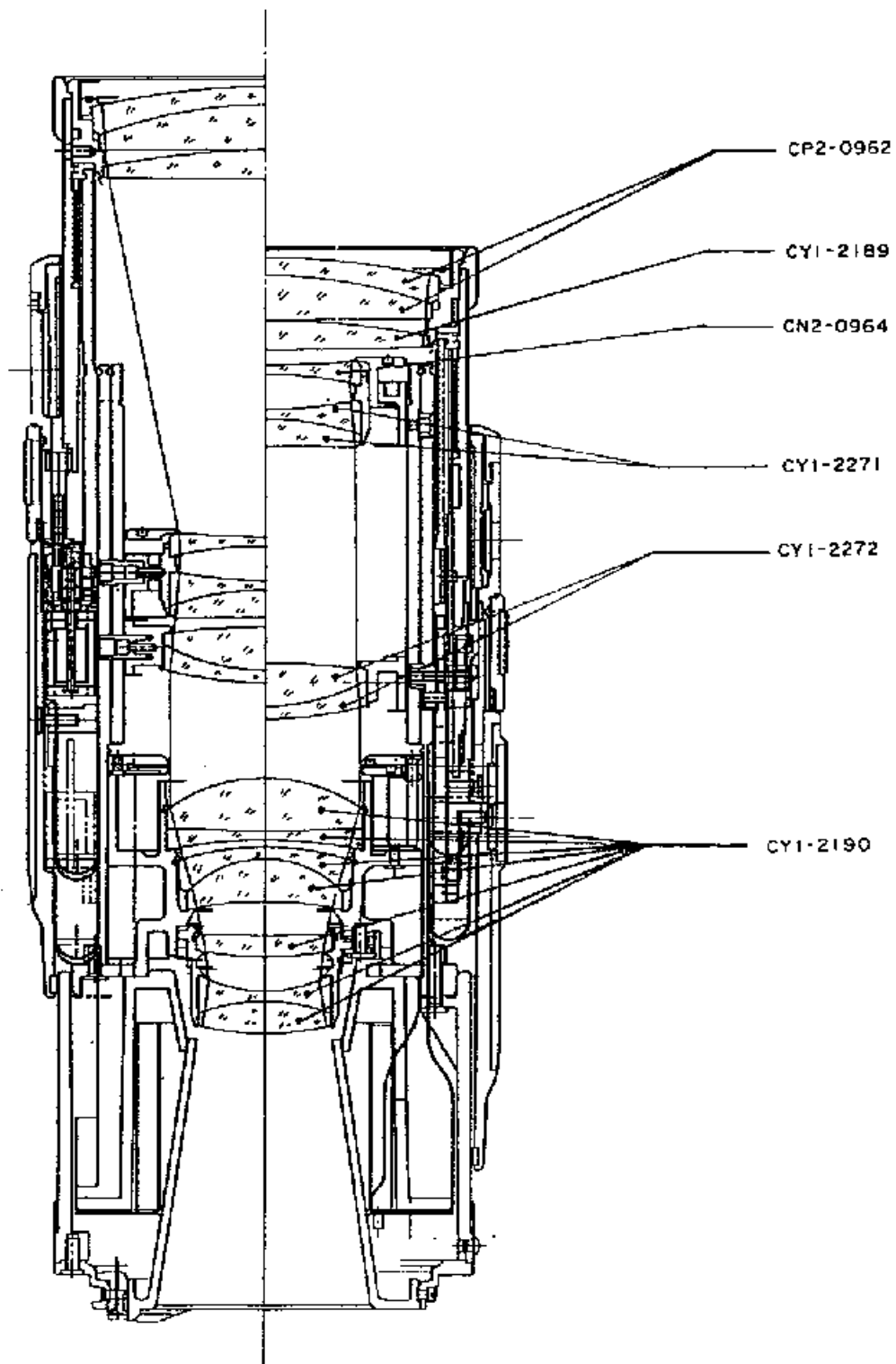
REF.NO.C21-9431,32

PARTS LIST

<u>NEW</u>	<u>PARTS NO.</u>	<u>CLASS</u>	<u>QTY</u>	<u>DESCRIPTION</u>	<u>PAGE</u>	<u>G/L</u>
	Y11-4702-000		1	LEAD(BLACK)		
	Y11-4703-000		1	LEAD(RED)		
	Y11-4901-000		1	LEAD(WHITE)		
	Y11-4906-000		1	LEAD(ORANGE)		
	Y11-4907-000		1	LEAD(YELLOW)		
	Y11-4909-000		1	LEAD(GREEN)		
	Y11-4911-000		1	LEAD(BLUE)		
	YA2-0898-000 (400)	D	3	COLLAR (NEW)	2	
	YA2-0898-000 (401)	D	3	COLLAR (NEW)	2	

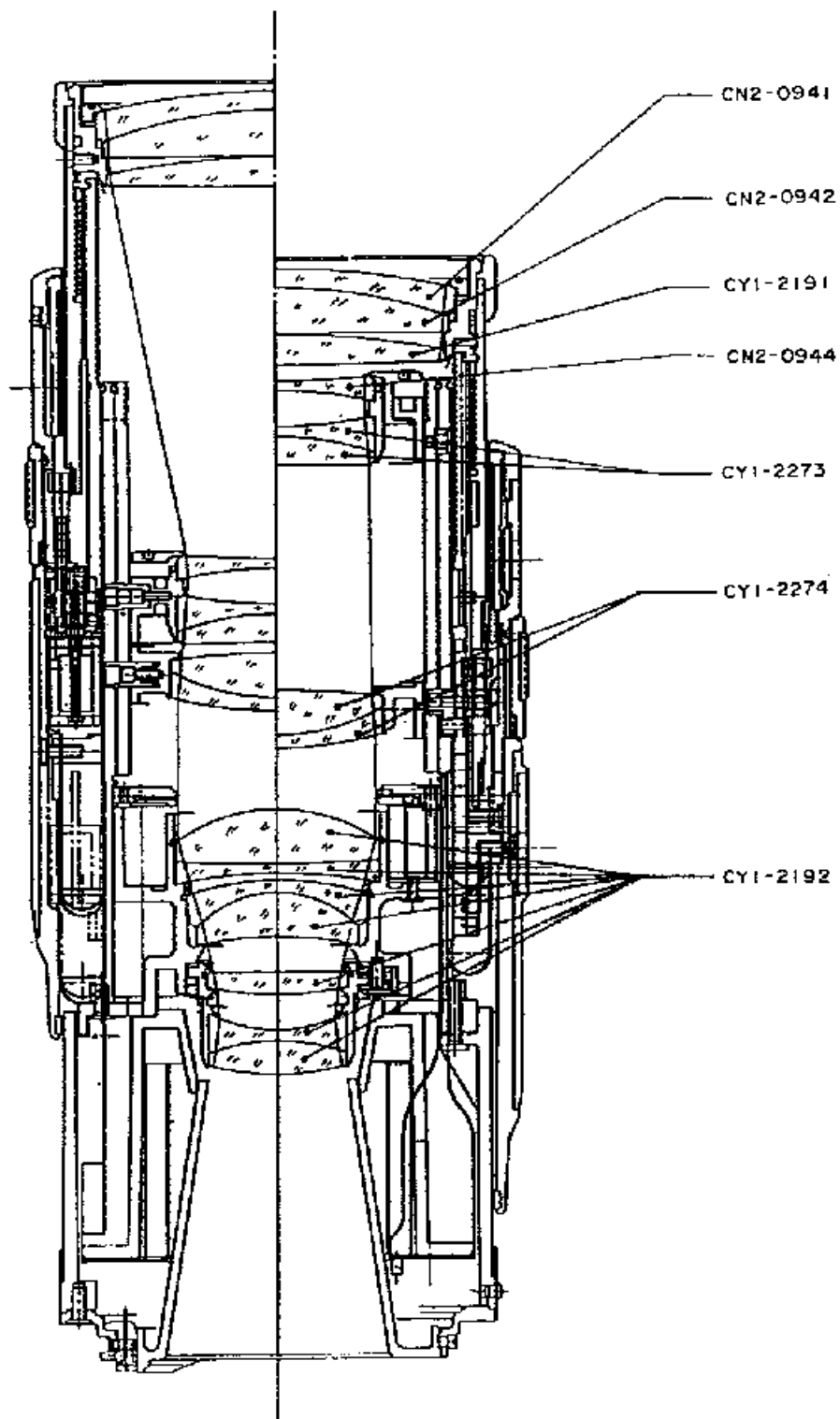
CANON LENS EF 100-300 mm 1:5.6

REF. NO. C21-9431



CANON LENS EF 100-300 mm 1:5.6 L

REF. NO. C21-9432



ATTENTION: these documentations are published only for purpose of study and search, they are not published for purpose of profit, all the rights and relative copyrights are of the respective owners. Free documentation not to sell.