

*EF100-400mm1:4.5-5.6USM*  
*REF.NO.C21-9961*

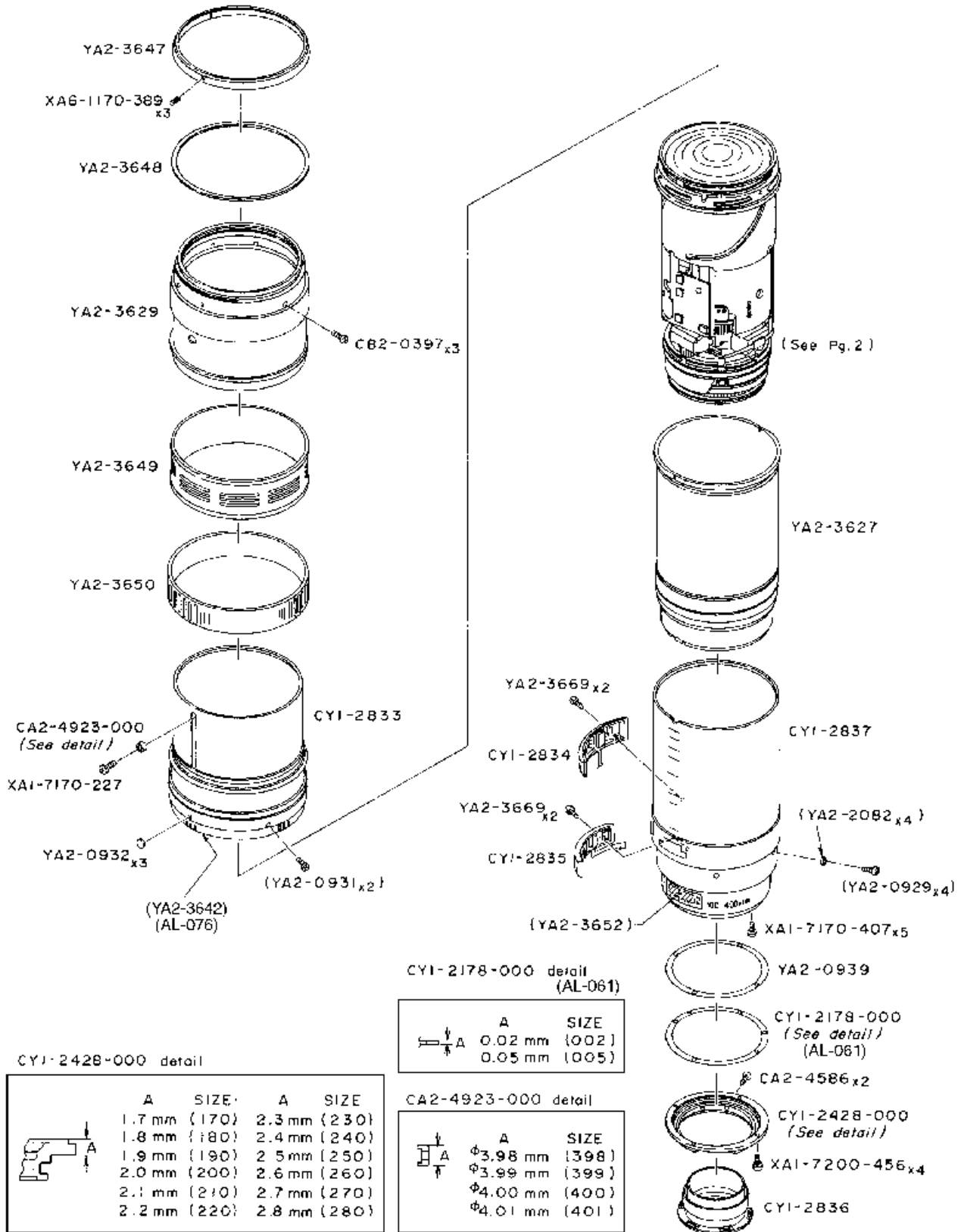
# *PARTS*

# *CATALOG*

**ATTENTION:** these documentations are published only for purpose of study and search, they are not published for purpose of profit, all the rights and relative copyrights are of the respective owners. **Free documentation not to sell.**

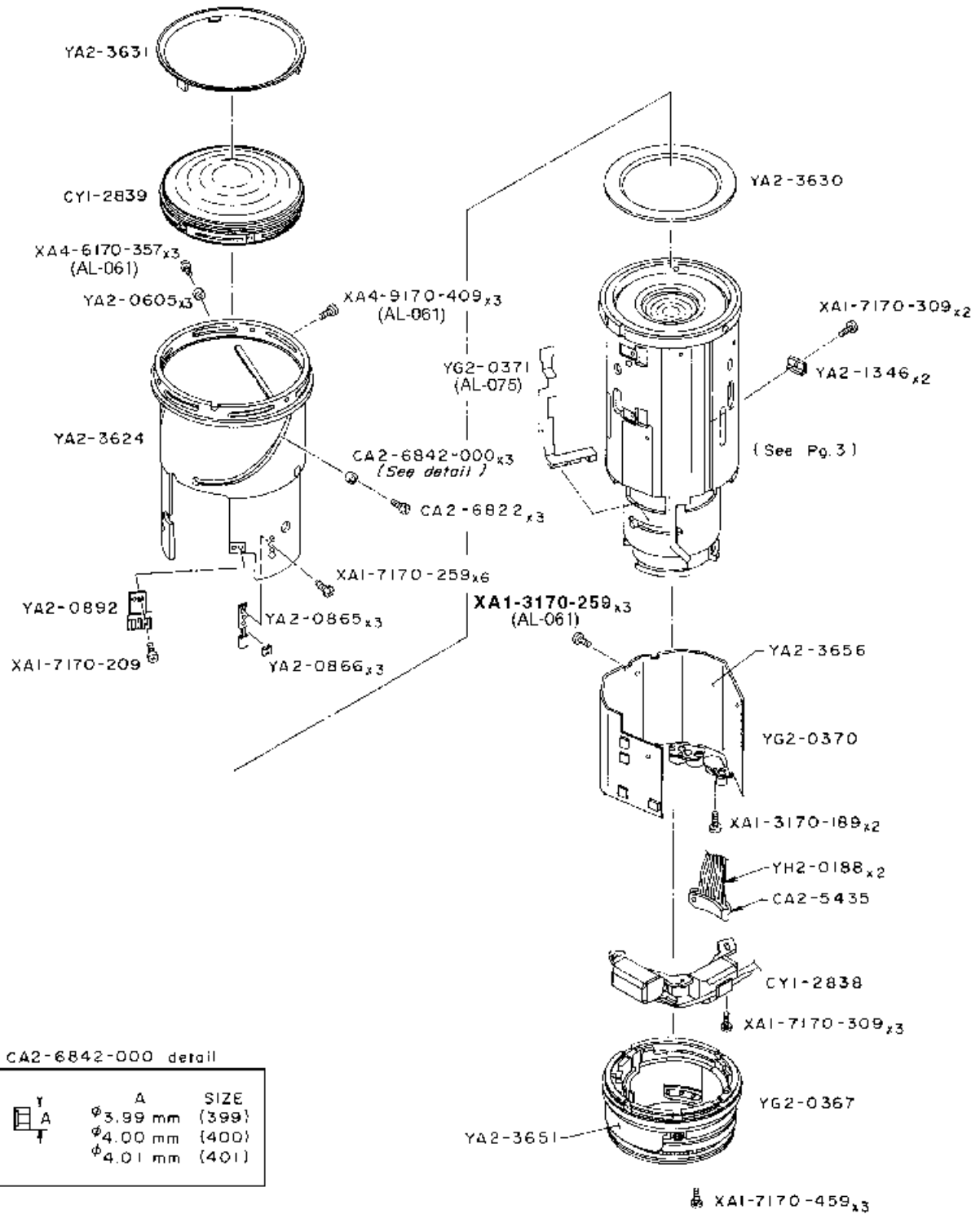
CANON LENS EF 100-400 mm 1:4.5-5.6L IS USM

REF. C21-9961



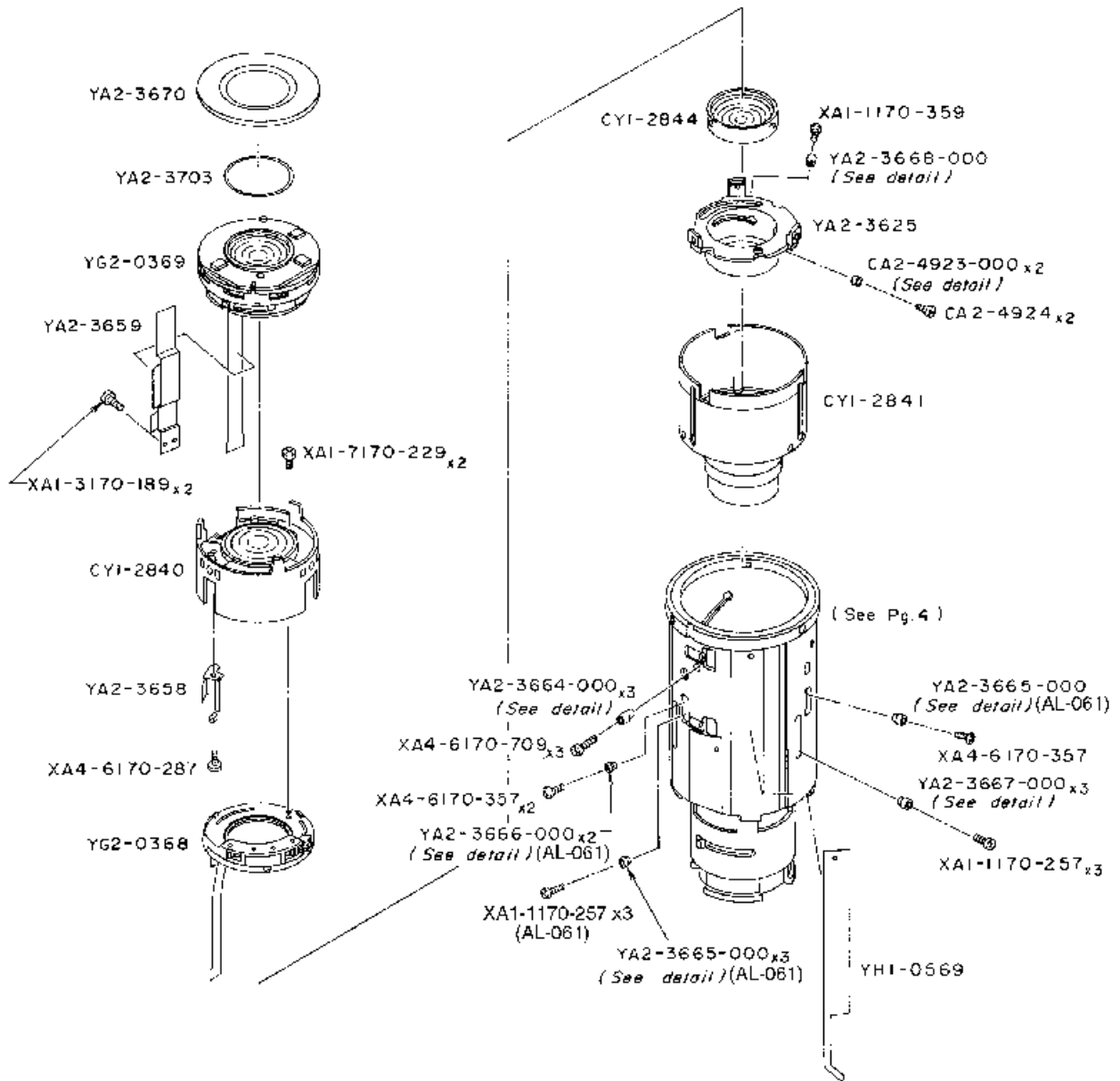
CANON LENS EF 100-400 mm 1:4.5-5.6L IS USM

REF. C21-9961



CANON LENS EF 100-400 mm 1:4.5-5.6L IS USM

REF. C21-9961



CA2-4923-000 detail

|  | A        | SIZE  |
|--|----------|-------|
|  | φ3.98 mm | {398} |
|  | φ3.99 mm | {399} |
|  | φ4.00 mm | {400} |
|  | φ4.01 mm | {401} |

YA2-3664-000 detail

|  | A        | SIZE  |
|--|----------|-------|
|  | φ4.00 mm | {400} |
|  | φ4.01 mm | {401} |
|  | φ4.02 mm | {402} |

YA2-3665-000 detail: (AL-061)

|  | A        | SIZE  |
|--|----------|-------|
|  | φ4.00 mm | {400} |
|  | φ4.01 mm | {401} |
|  | φ4.02 mm | {402} |

YA2-3666-000 detail (AL-061)

|  | A        | SIZE  |
|--|----------|-------|
|  | φ4.00 mm | {400} |
|  | φ4.01 mm | {401} |
|  | φ4.02 mm | {402} |

YA2-3667-000 detail

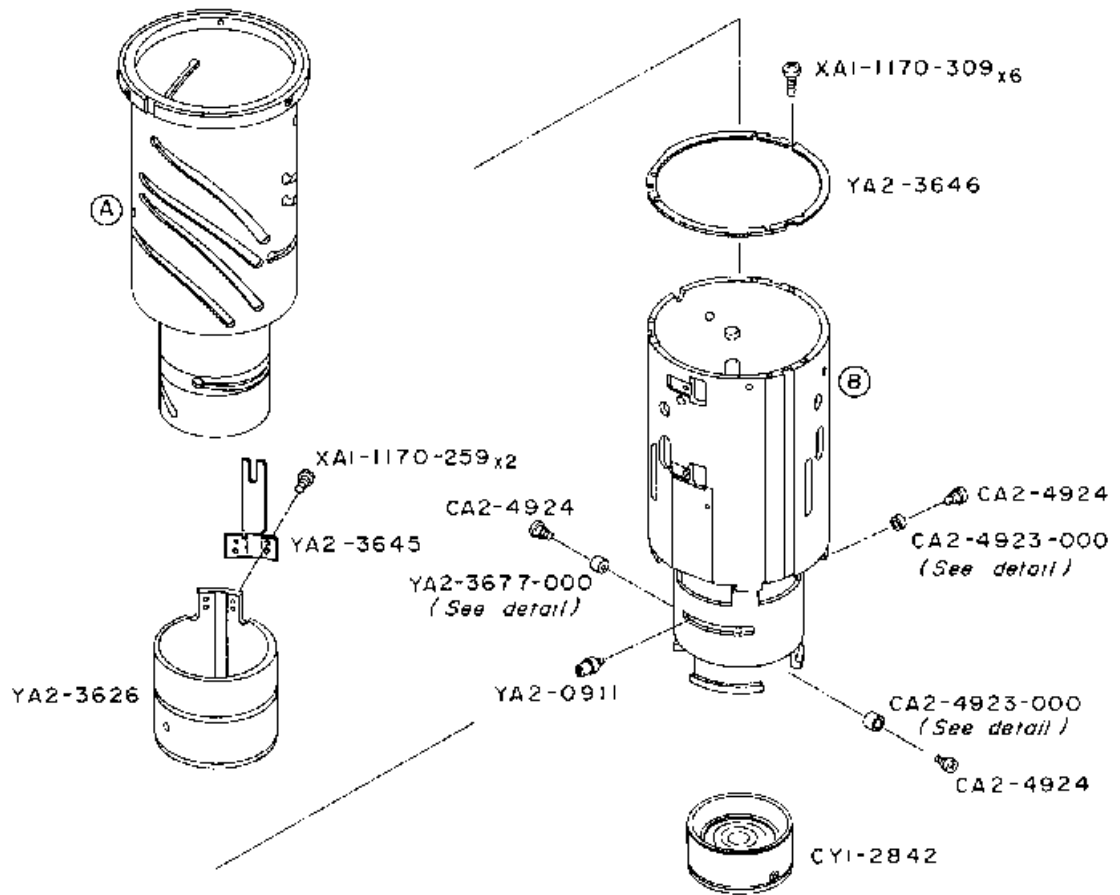
|  | A        | SIZE  |
|--|----------|-------|
|  | φ4.00 mm | {400} |
|  | φ4.01 mm | {401} |
|  | φ4.02 mm | {402} |

YA2-3668-000 detail

|  | A        | SIZE  |
|--|----------|-------|
|  | φ3.99 mm | {399} |
|  | φ4.00 mm | {400} |
|  | φ4.01 mm | {401} |

CANON LENS EF 100-400 mm 1:4.5-5.6L IS USM

REF. C21-9961



CA2-4923-000 detail

|  | A        | SIZE  |
|--|----------|-------|
|  | Φ3.98 mm | (398) |
|  | Φ3.99 mm | (399) |
|  | Φ4.00 mm | (400) |
|  | Φ4.01 mm | (401) |

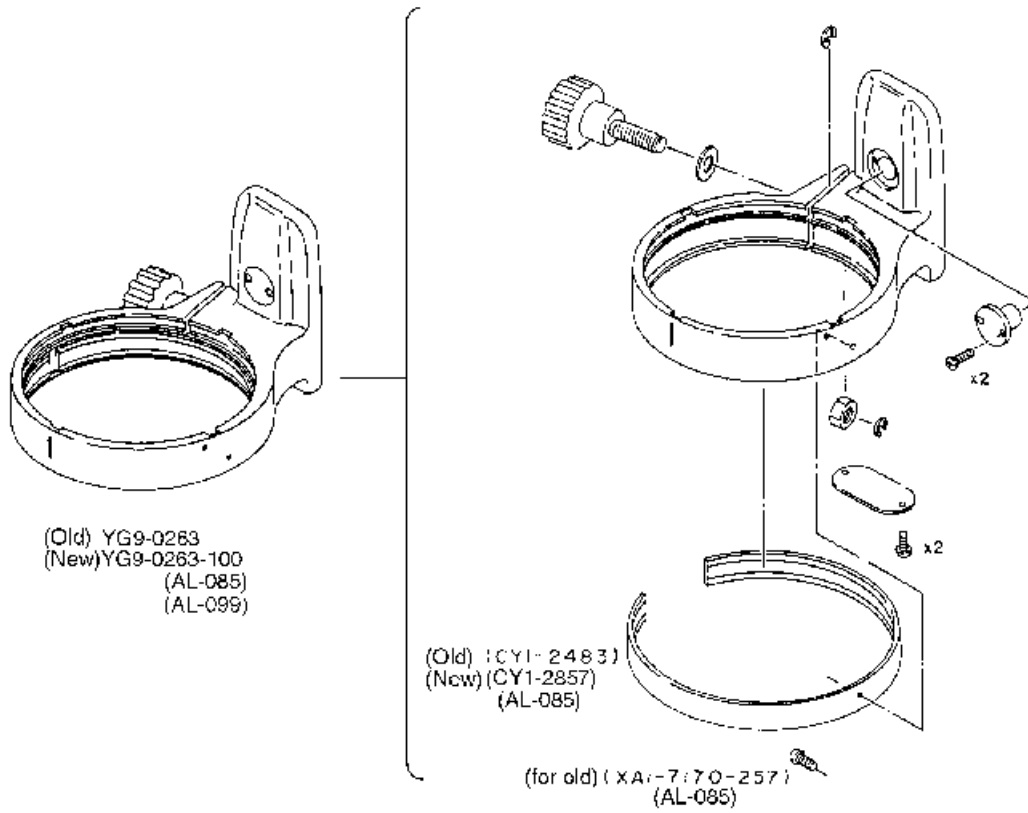
YA2-3677-000 detail

|  | A        | SIZE  |
|--|----------|-------|
|  | Φ4.00 mm | (400) |
|  | Φ4.01 mm | (401) |
|  | Φ4.02 mm | (402) |

} YG9-0616  
 }

CANON LENS EF 100-400 mm 1:4.5-5.6L IS USM

REF. C21-9961



## PARTS LIST

REF.No.C21-9961

| NEW | PARTS NO.         | CLASS | QTY | DESCRIPTION                       | PAGE  |
|-----|-------------------|-------|-----|-----------------------------------|-------|
|     | CA2-4586-000      |       | 2   | SCREW,                            | 1     |
|     | CA2-4923-000(xxx) | D     | 5   | COLLAR                            | 1,3,4 |
|     | CA2-4924-000      |       | 5   | SCREW,                            | 3,4   |
|     | CA2-5435-000      | C     | 1   | CONTACT ASS'Y                     | 2     |
|     | CA2-6822-000      |       | 3   | SCREW,                            | 2     |
|     | CA2-6842-000(xxx) | D     | 3   | COLLAR                            | 2     |
|     | CB2-0397-000      |       | 3   | SCREW,                            | 1     |
|     | CY1-2178-000(xxx) | E     | N   | WASHER, MOUNT                     | 1     |
|     | CY1-2428-000(xxx) | C     | 1   | MOUNT, LENS                       | 1     |
|     | CY1-2483-000      | E     | 1   | BELT (Old)                        | 5     |
|     | CY1-2833-000      | C     | 1   | FOCUS RING UNIT                   | 1     |
|     | CY1-2834-000      | C     | 1   | IS SWITCH ASS'Y                   | 1     |
|     | CY1-2835-000      | C     | 1   | A/M SWITCH ASS'Y                  | 1     |
|     | CY1-2836-000      | B     | 1   | COVER, BACK                       | 1     |
|     | CY1-2837-000      | C     | 1   | BARREL ASS'Y, FIXED               | 1     |
|     | CY1-2838-000      | C     | 1   | GYRO SENSOR UNIT                  | 2     |
|     | CY1-2839-000      | C     | 1   | LENS ASS'Y, 1ST GROUP             | 2     |
|     | CY1-2840-000      | D     | 1   | LENS ASS'Y, 3RD GROUP             | 3     |
|     | CY1-2841-000      | D     | 1   | LENS ASS'Y, 5TH GROUP             | 3     |
|     | CY1-2842-000      | D     | 1   | LENS ASS'Y, 6TH GROUP             | 4     |
|     | CY1-2844-000      | D     | 1   | LENS ASS'Y, 4TH GROUP             | 3     |
|     | CY1-2857-000      | E     | 1   | BAND UNIT (New)                   | 5     |
|     | XA1-1170-257      |       | 6   | SCREW, CROSS-RECESS, PH           | 3     |
|     | XA1-1170-259      |       | 2   | SCREW, CROSS-RECESS, PH           | 4     |
|     | XA1-1170-309      |       | 6   | SCREW, CROSS-RECESS, PH           | 4     |
|     | XA1-1170-359      |       | 1   | SCREW, CROSS-RECESS, PH           | 3     |
|     | XA1-3170-189      |       | 4   | SCREW, CROSS-RECESS, PH           | 2,3   |
|     | XA1-3170-259      |       | 3   | SCREW, CROSS-RECESS, PH           | 2     |
|     | XA1-7170-209      |       | 1   | SCREW, CROSS-RECESS, PH           | 2     |
|     | XA1-7170-227      |       | 1   | SCREW, CROSS-RECESS, PH           | 1     |
|     | XA1-7170-229      |       | 2   | SCREW, CROSS-RECESS, PH           | 3     |
|     | XA1-7170-257      |       | 1   | SCREW, CROSS-RECESS, PH (for old) | 5     |
|     | XA1-7170-259      |       | 6   | SCREW, CROSS-RECESS, PH           | 2     |
|     | XA1-7170-309      |       | 5   | SCREW, CROSS-RECESS, PH           | 2     |
|     | XA1-7170-407      |       | 5   | SCREW, CROSS-RECESS, PH           | 1     |
|     | XA1-7170-459      |       | 3   | SCREW, CROSS-RECESS, PH           | 2     |
|     | XA1-7200-456      |       | 4   | SCREW, CROSS-RECESS, PH           | 1     |
|     | XA4-6170-287      |       | 1   | SCREW, CROSS-RECESS, PH           | 3     |
|     | XA4-6170-357      |       | 6   | SCREW, CROSS-RECESS, PH           | 2,3   |
|     | XA4-6170-709      |       | 3   | SCREW, CROSS-RECESS, PH           | 3     |
|     | XA4-9170-409      |       | 3   | SCREW, CROSS-RECESS, PH           | 2     |
|     | XA6-1170-389      |       | 3   | SETSCREW, SLOTTED, HLCP           | 1     |
|     | YA2-0605-000      | D     | 3   | COLLAR                            | 2     |
|     | YA2-0865-000      | D     | 3   | KEY                               | 2     |
|     | YA2-0866-000      | D     | 3   | SPACER                            | 2     |

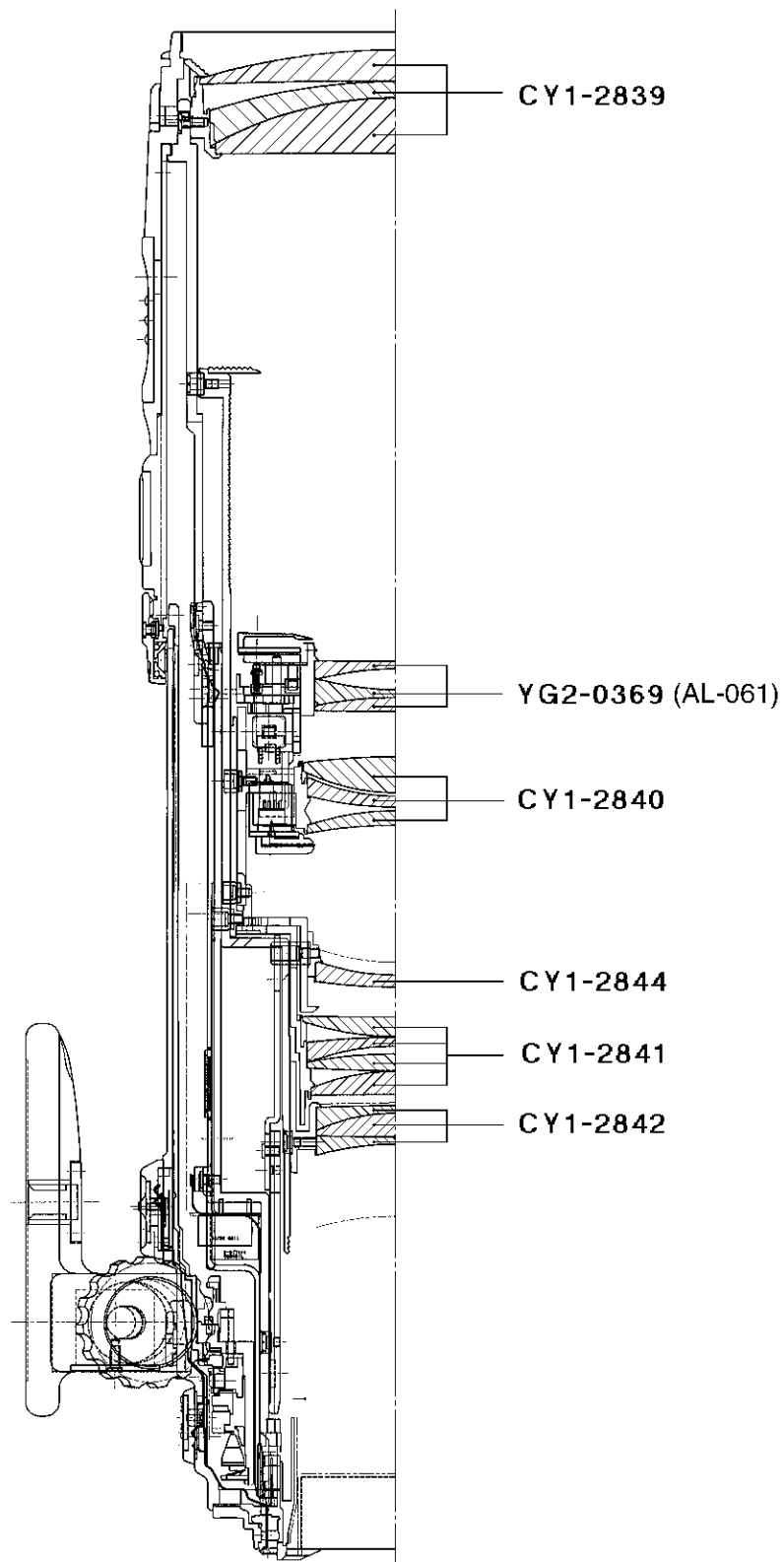
# P A R T S L I S T

REF.No.C21-9961

| NEW | PARTS NO.         | CLASS | QTY | DESCRIPTION              | PAGE |
|-----|-------------------|-------|-----|--------------------------|------|
|     | YA2-0892-000      | C     | 1   | BRUSH, ZOOMING           | 2    |
|     | YA2-0911-000      | D     | 1   | PIN, FOCUSING            | 4    |
|     | YA2-0929-000      |       | 4   | SCREW, CROSS-RECESS, PH  | 1    |
|     | YA2-0931-000      |       | 2   | SCREW, CROSS-RECESS, PH  | 1    |
|     | YA2-0932-000      | B     | 3   | PIN, COVER               | 1    |
|     | YA2-0939-000      | D     | 1   | SPACER, MOUNT            | 1    |
|     | YA2-1346-000      | D     | 2   | KEY, ZOOMING STOPPER     | 2    |
|     | YA2-2082-000      | D     | 4   | COLLAR                   | 1    |
|     | YA2-3624-000      | D     | 1   | BARREL, ZOOMING          | 2    |
|     | YA2-3625-000      | D     | 1   | BARREL, 4TH LENS CAM     | 3    |
|     | YA2-3626-000      | D     | 1   | BARREL, FOCUS            | 4    |
|     | YA2-3627-000      | D     | 1   | EXTENSION GUIDE, FOCUS   | 1    |
|     | YA2-3629-000      | C     | 1   | RING, ZOOMING            | 1    |
|     | YA2-3630-000      | D     | 1   | RING, LIGHT SHIELD       | 2    |
|     | YA2-3631-000      | C     | 1   | RING, FRONT              | 2    |
|     | YA2-3642-000      | C     | 1   | BAND, ZOOM               | 1    |
|     | YA2-3645-000      | D     | 1   | KEY, FOCUS               | 4    |
|     | YA2-3646-000      | D     | 1   | RING, ZOOM STOPPER       | 4    |
|     | YA2-3647-000      | C     | 1   | RING, NAME               | 1    |
|     | YA2-3648-000      | D     | 1   | RING, RED                | 1    |
|     | YA2-3649-000      | D     | 1   | RING, ZOOM RUBBER        | 1    |
|     | YA2-3650-000      | D     | 1   | RING, FOCUS RUBBER       | 1    |
|     | YA2-3651-000      | D     | 1   | SCALE, FOCUSING          | 2    |
|     | YA2-3652-000      | C     | 1   | WINDOW, SCALE            | 1    |
|     | YA2-3656-000      | D     | 1   | HOLDER, MAIN FPC         | 2    |
|     | YA2-3658-000      | D     | 1   | HOLDER, E-FLEX           | 3    |
|     | YA2-3659-000      | D     | 1   | HOLDER, I-FLEX           | 3    |
|     | YA2-3664-000(xxx) | D     | 3   | COLLAR, ECCENTRIC        | 3    |
|     | YA2-3665-000(xxx) | D     | 4   | COLLAR                   | 3    |
|     | YA2-3666-000(xxx) | D     | 2   | COLLAR, ECCENTRIC        | 3    |
|     | YA2-3667-000(xxx) | D     | 3   | COLLAR                   | 3    |
|     | YA2-3668-000(xxx) | D     | 1   | COLLAR                   | 3    |
|     | YA2-3669-000      | D     | 4   | SCREW, CROSS-RECESS, PH  | 1    |
|     | YA2-3670-000      | D     | 1   | RING, IS COVER           | 3    |
|     | YA2-3677-000(xxx) | D     | 1   | COLLAR                   | 4    |
|     | YA2-3703-000      | D     | 1   | SHEET, LIGHT SHIELD      | 3    |
|     | YG2-0367-000      | C     | 1   | FOCUSING UNIT            | 2    |
|     | YG2-0368-000      | C     | 1   | POWER DIAPHRAGM UNIT     | 3    |
|     | YG2-0369-000      | C     | 1   | IS LENS UNIT             | 3    |
|     | YG2-0370-000      | C     | 1   | FPC ASS'Y, MAIN          | 2    |
|     | YG2-0371-000      | C     | 1   | FPC ASS'Y, SUB           | 2    |
|     | YG9-0263-000      | D     | 1   | TRIPOD SOCKET UNIT (Old) | 5    |
|     | YG9-0263-100      | D     | 1   | TRIPOD SOCKET UNIT (New) | 5    |
|     | YG9-0616-000      | D     | 1   | BARREL ASS'Y, CAM/GUIDE  | 4    |
|     | YH1-0569-000      | D     | 1   | FPC, ZOOM                | 3    |
|     | YH2-0188-000      | D     | 2   | CABLE, FLAT              | 2    |

CANON LENS EF 100-400 mm 1:4.5-5.6L IS USM

REF. C21-9961



**ATTENTION:** these documentations are published only for purpose of study and search, they are not published for purpose of profit, all the rights and relative copyrights are of the respective owners. **Free documentation not to sell.**