

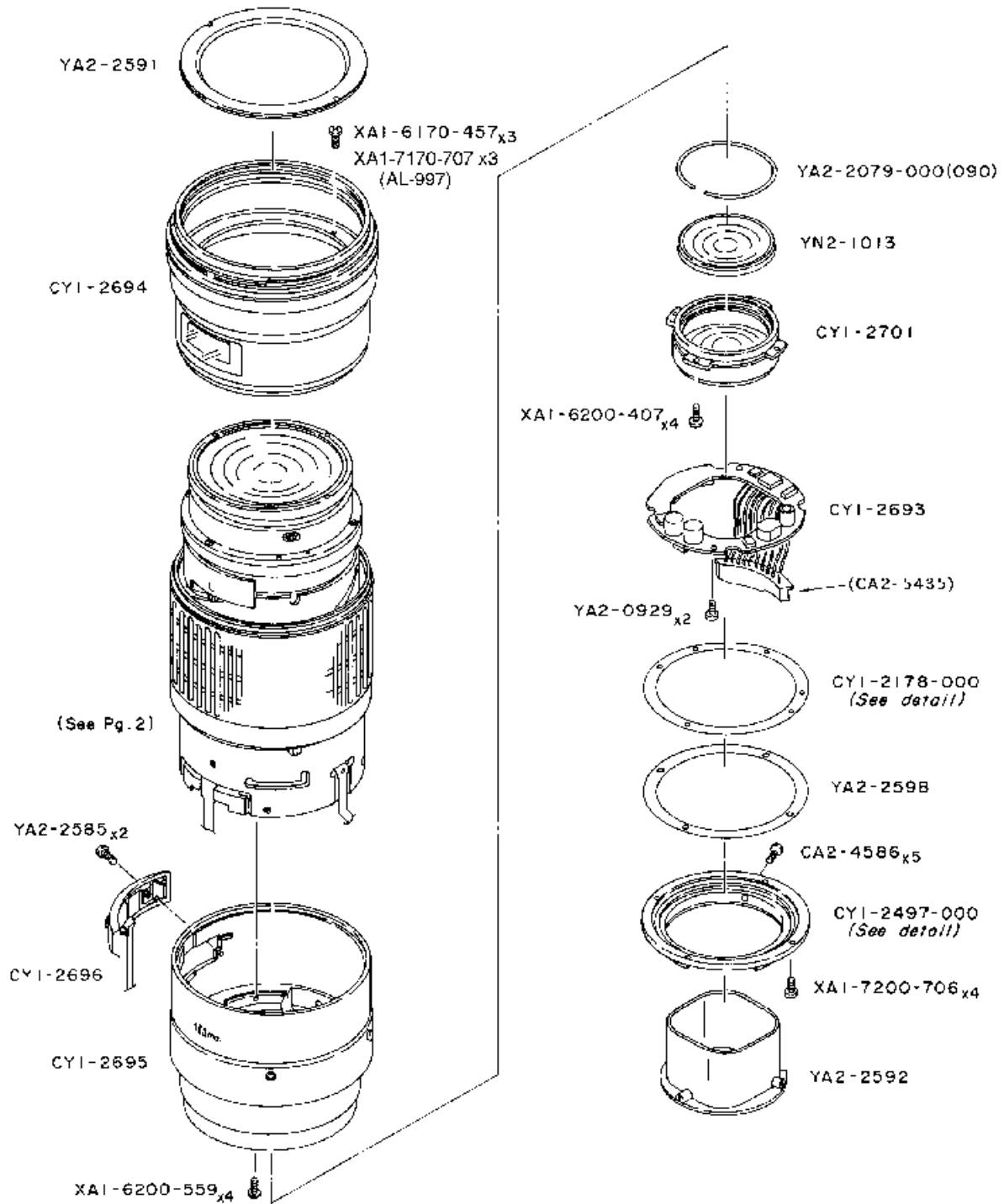
*EF180mm1:3.5LMACRO
(ULTRASONIC)
REF.NO.C26-1231*

PARTS CATALOG

ATTENTION: these documentations are published only for purpose of study and search, they are not published for purpose of profit, all the rights and relative copyrights are of the respective owners. **Free documentation not to sell.**

CANON LENS EF 180 mm 1:3.5 L (USM) MACRO

REF. NO.C26-1231



CY1-2178-000(XXX) detail

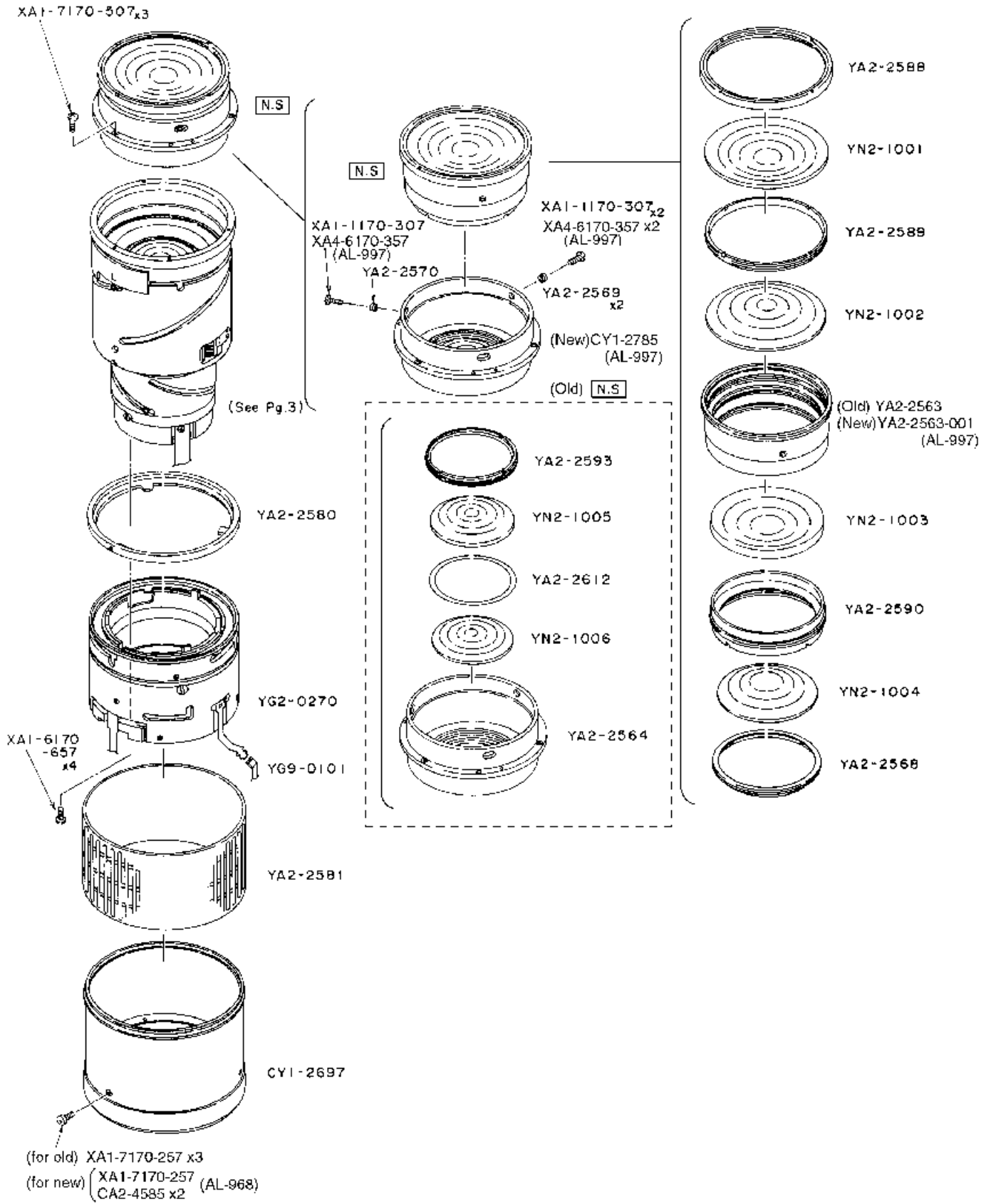
Service Use Only.		
	A	SIZE
$\frac{1}{4}A$	0.02 mm	(002)
$\frac{1}{4}A$	0.05 mm	(005)

CY1-2497-000(XXX) detail

	A	SIZE	A	SIZE
	2.0 mm	(200)	2.5 mm	(250)
	2.1 mm	(210)	2.6 mm	(260)
	2.2 mm	(220)	2.7 mm	(270)
	2.3 mm	(230)	2.8 mm	(280)
	2.4 mm	(240)		

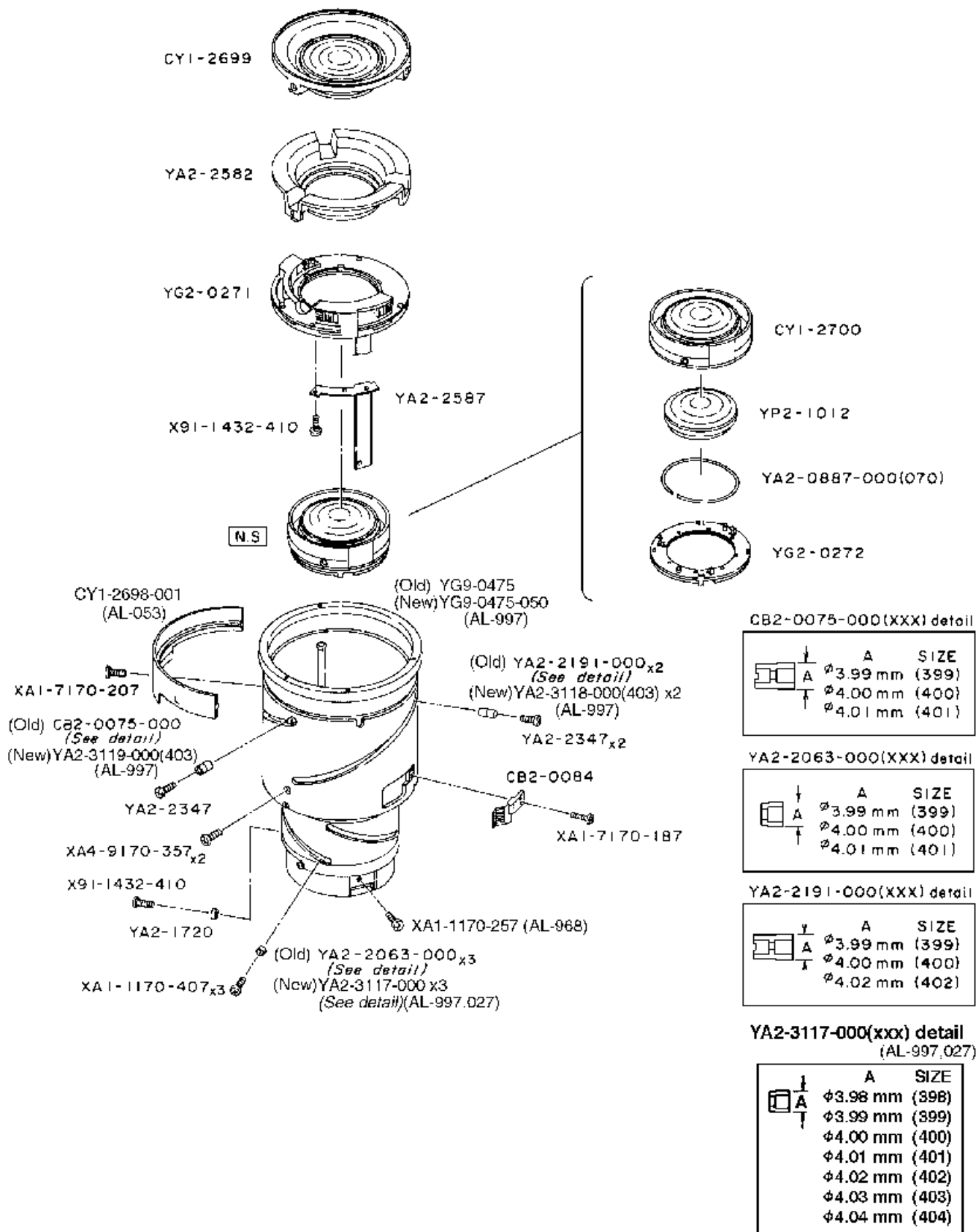
CANON LENS EF 180 mm 1:3.5 L (USM) MACRO

REF.NO. C26-1231



CANON LENS EF 180 mm 1:3.5 L (USM) MACRO

REF. NO.C26-1231



PARTS LIST

REF.No.C26-1231

NEW	PARTS NO.	CLASS	QTY	DESCRIPTION	PAGE
	CA2-4585-000		2	SCREW, MOUNT STOPPER	2
	CA2-4586-000		5	SCREW, CROSS-RECESS, PH	1
	CA2-5435-000	D	1	CONTACT, LENS	1
	CB2-0075-000 (XXX)	E	1	COLLAR, FOCUSING (Old)	3
	CB2-0084-000	E	1	BRUSH, FOCUSING	3
	CY1-2178-000 (XXX)	E	1	WASHER, MOUNT	1
	CY1-2483-000	E	1	BELT (Old)	4
	CY1-2497-000 (XXX)	D	1	MOUNT, LENS	1
	CY1-2693-000	D	1	PCB ASS'Y MAIN	1
	CY1-2694-000	C	1	FILTER RING ASS'Y	1
	CY1-2695-000	C	1	FIXED BARREL ASS'Y	1
	CY1-2696-000	C	1	A/M SWITCH ASS'Y	1
	CY1-2697-000	D	1	RING, FOCUSING 1	2
	CY1-2698-001	E	1	PLATE, FOCUSING SCALE	3
	CY1-2699-000	E	1	SECOND LENS UNIT	3
	CY1-2700-000	E	1	THIRD LENS UNIT	3
	CY1-2701-000	E	1	FORTH LENS UNIT	1
	CY1-2785-000	E	1	BARREL ASS'Y, FIRST LENS 2 (New)	2
	CY1-2857-000	E	1	BAND UNIT (New)	4
	X91-1432-410		2	SCREW, CROSS-RECESS, PH	3
	XA1-1170-257		1	SCREW, CROSS-RECESS, PH	3
	XA1-1170-307		3	SCREW, CROSS-RECESS, PH	2
	XA1-1170-407		3	SCREW, CROSS-RECESS, PH	3
	XA1-6170-457		3	SCREW, CROSS-RECESS, PH	1
	XA1-6170-657		4	SCREW, CROSS-RECESS, PH	2
	XA1-6200-407		4	SCREW, CROSS-RECESS, PH	1
	XA1-6200-559		4	SCREW, CROSS-RECESS, PH	1
	XA1-7170-187		1	SCREW, CROSS-RECESS, PH	3
	XA1-7170-207		1	SCREW, CROSS-RECESS, PH	3
	XA1-7170-257		5	SCREW, CROSS-RECESS, PH	2,4
	XA1-7170-507		3	SCREW, CROSS-RECESS, PH	2
	XA1-7170-707		3	SCREW, CROSS-RECESS, PH	1
	XA1-7200-706		4	SCREW, CROSS-RECESS, PH	1
	XA4-6170-357		3	SCREW, CROSS-RECESS, PH	2
	XA4-9170-357		2	SCREW, CROSS-RECESS, PH	3
	YA2-0887-000 (070)	E	1	RING, SNAP	3
	YA2-0929-000		2	SCREW, CROSS-RECESS, PH	1
	YA2-1720-000	E	1	COLLAR	3
	YA2-2063-000 (XXX)	E	3	COLLAR (Old)	3
	YA2-2079-000 (090)	E	1	RING, SNAP	1
	YA2-2191-000 (XXX)	E	2	COLLAR, ECCENTRIC (Old)	3
	YA2-2347-000		3	SCREW, CROSS-RECESS, PH	3
	YA2-2563-000	E	1	BARREL, FIRST LENS 1 (Old)	2
	YA2-2563-001	E	1	BARREL, FIRST LENS 1 (New)	2
	YA2-2564-000	E	1	BARREL, FIRST LENS 2	2
	YA2-2568-000	E	1	COLLAR, ASSEMBLY	2
	YA2-2569-000	E	2	COLLAR, ECCENTRIC	2
	YA2-2570-000	E	1	COLLAR	2
	YA2-2580-000	E	1	RING, FOCUSING	2
	YA2-2581-000	D	1	RING, RUBBER	2

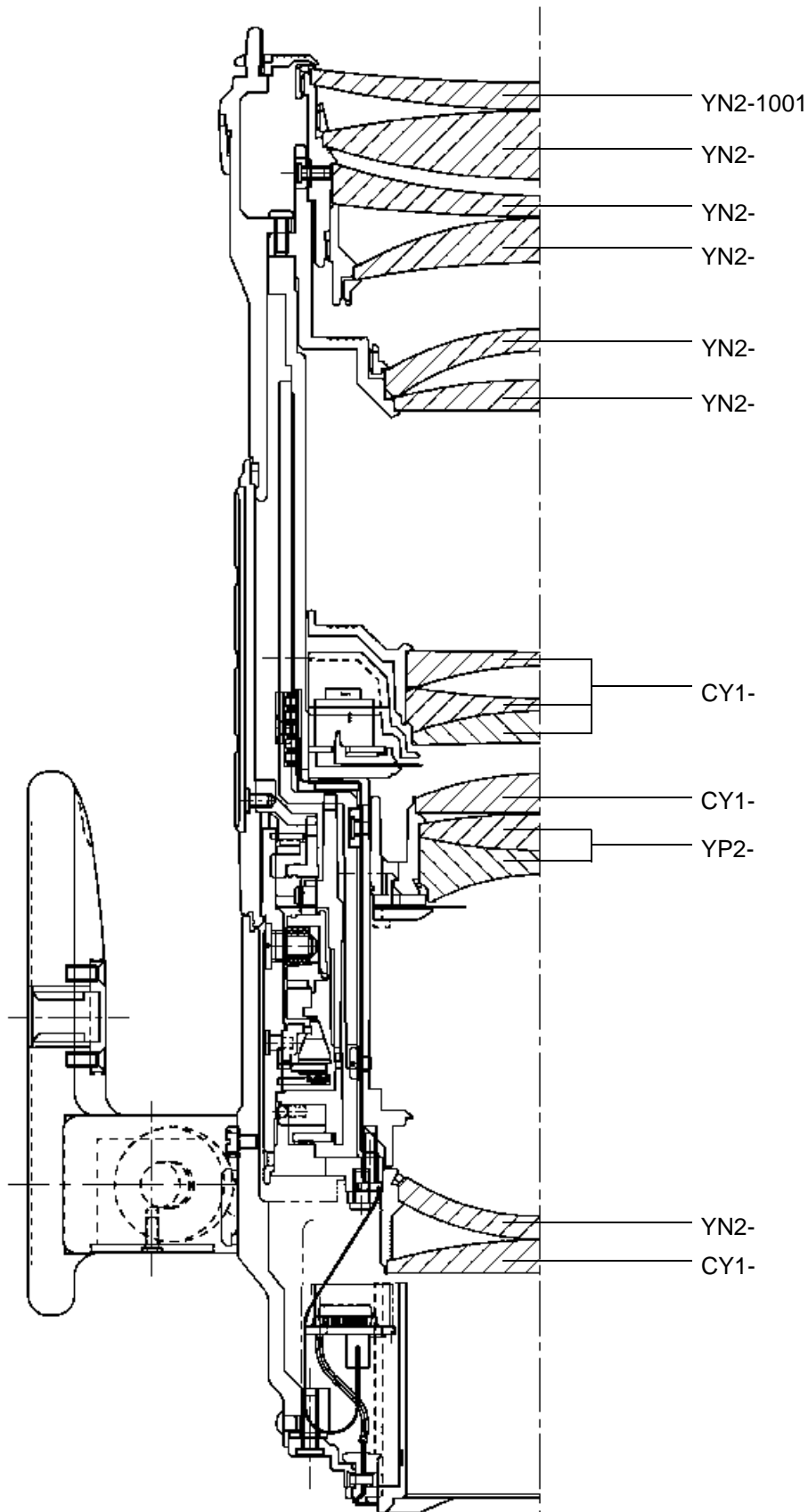
PARTS LIST

REF.No.C26-1231

NEW	PARTS NO.	CLASS	QTY	DESCRIPTION	PAGE
	YA2-2582-000	E	1	HOLDER, EMD	3
	YA2-2585-000	E	2	SCREW, CROSS-RECESS, PH	1
	YA2-2587-000	E	1	GUIDE, EMD-FLEX	3
	YA2-2588-000	E	1	COLLAR, ASSEMBLY	2
	YA2-2589-000	E	1	COLLAR, ASSEMBLY	2
	YA2-2590-000	E	1	BARREL, LENS(G4)	2
	YA2-2591-000	D	1	RING, FRONT	1
	YA2-2592-000	D	1	COVER, BACK	1
	YA2-2593-000	E	1	COLLAR, ASSEMBLY	2
	YA2-2598-000	E	1	SPACER, MOUNT	1
	YA2-2612-000	E	1	SPACER, LENS	2
	YA2-3117-000 (XXX)	E	3	COLLAR (New)	3
	YA2-3118-000 (403)	E	2	COLLAR, ECCENTRIC (New)	3
	YA2-3119-000 (403)	E	1	COLLAR (New)	3
	YG2-0270-000	D	1	FOCUSING UNIT	2
	YG2-0271-000	D	1	POWER DIAPHRAGM UNIT	3
	YG2-0272-000	D	1	SUB DIAPHRAGM UNIT	3
	YG2-0458-000	D	1	TRIPOD SOCKET UNIT (New)	4
	YG9-0101-000	E	1	FLEX, CONNECTING	2
	YG9-0445-000	D	1	TRIPOD SOCKET UNIT (Old)	4
	YG9-0475-000	E	1	CAM BARREL ASS'Y (Old)	3
	YG9-0475-050	E	1	CAM BARREL ASS'Y (New)	3
	YN2-1001-000	E	1	LENS, G1	2
	YN2-1002-000	E	1	LENS, G2	2
	YN2-1003-000	E	1	LENS, G3	2
	YN2-1004-000	E	1	LENS, G4	2
	YN2-1005-000	E	1	LENS, G5	2
	YN2-1006-000	E	1	LENS, G6	2
	YN2-1013-000	E	1	LENS, G13	1
	YP2-1012-000	E	1	LENS, G11/12	3

CANON LENS EF 180 mm 1:3.5 L (USM) MACRO

REF. NO.C26-1231



ATTENTION: these documentations are published only for purpose of study and search, they are not published for purpose of profit, all the rights and relative copyrights are of the respective owners. **Free documentation not to sell.**