

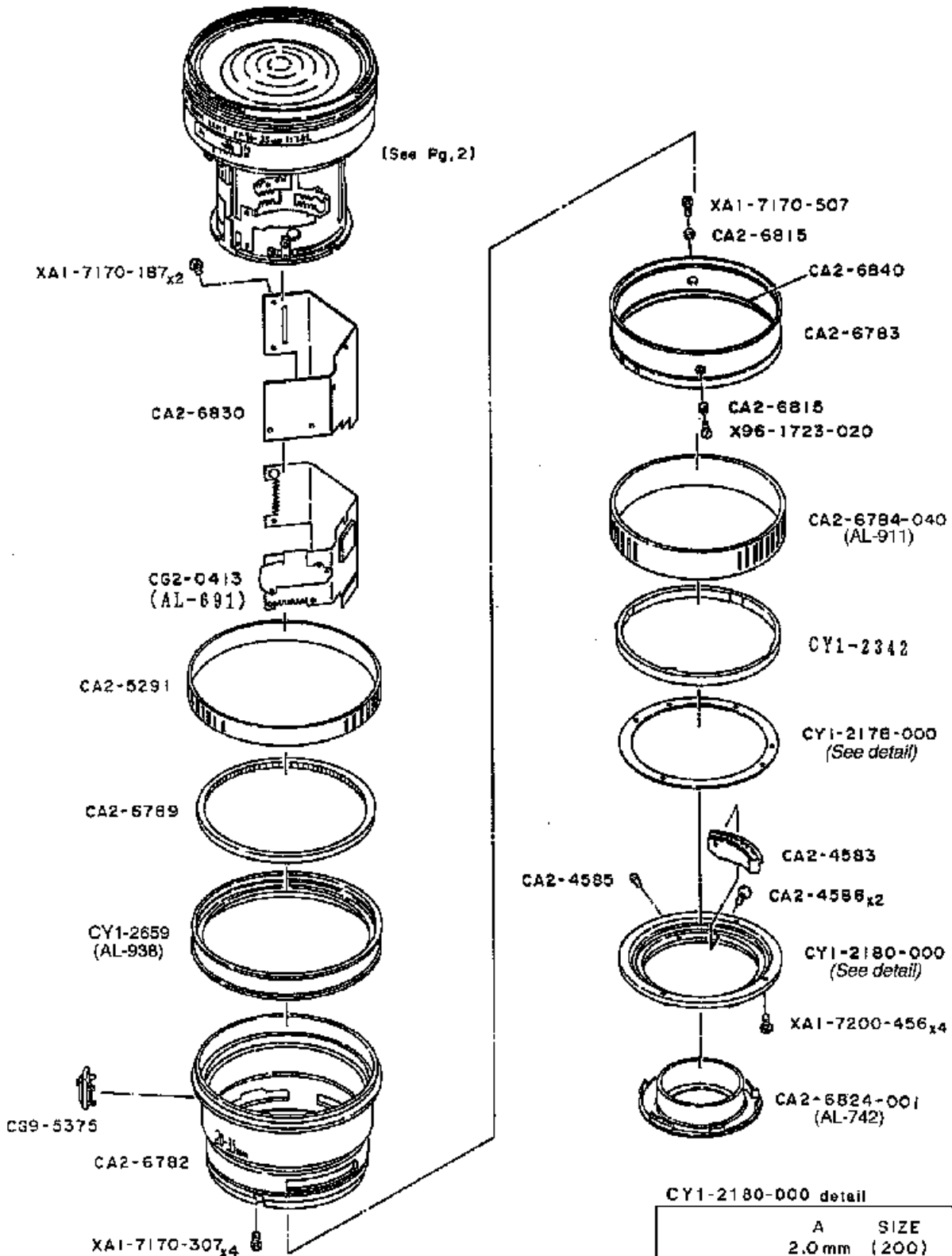
*EF 20-35mm1:2.8L*

*REF.NO.C21-9512*

# *PARTS CATALOG*

**ATTENTION:** these documentations are published only for purpose of study and search, they are not published for purpose of profit, all the rights and relative copyrights are of the respective owners. **Free documentation not to sell.**

CANON LENS EF 20-35 mm 1:2.8L



CY1-2178-000 detail

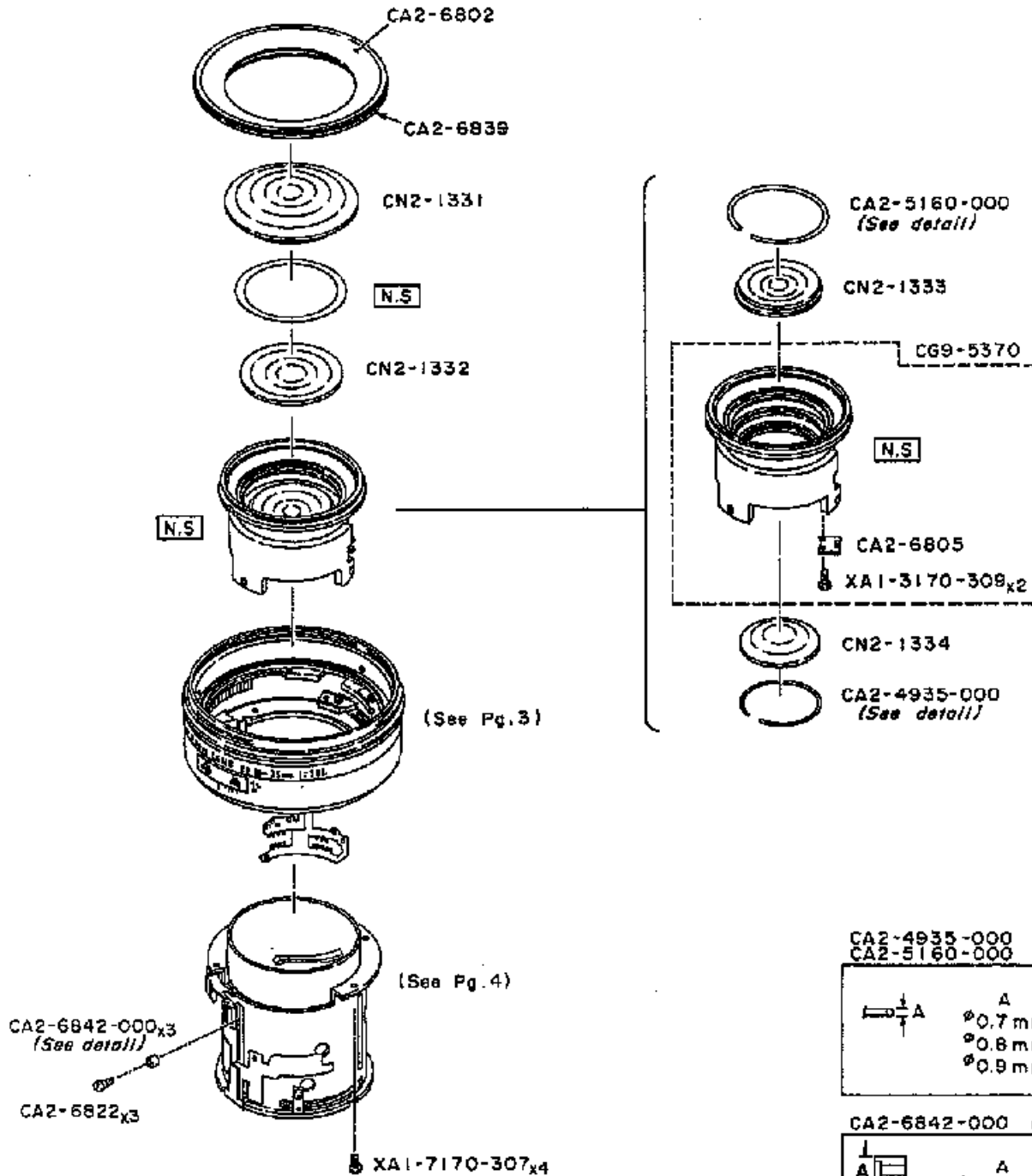
Service Use Only.

	A	SIZE
	0.02 mm	(002)
	0.05 mm	(005)

CY1-2180-000 detail

	A	SIZE
	2.0 mm	(200)
	2.1 mm	(210)
	2.2 mm	(220)
	2.3 mm	(230)
	2.4 mm	(240)
	2.5 mm	(250)
	2.6 mm	(260)
	2.7 mm	(270)

CANON LENS EF 20-35 mm 1:2.8L



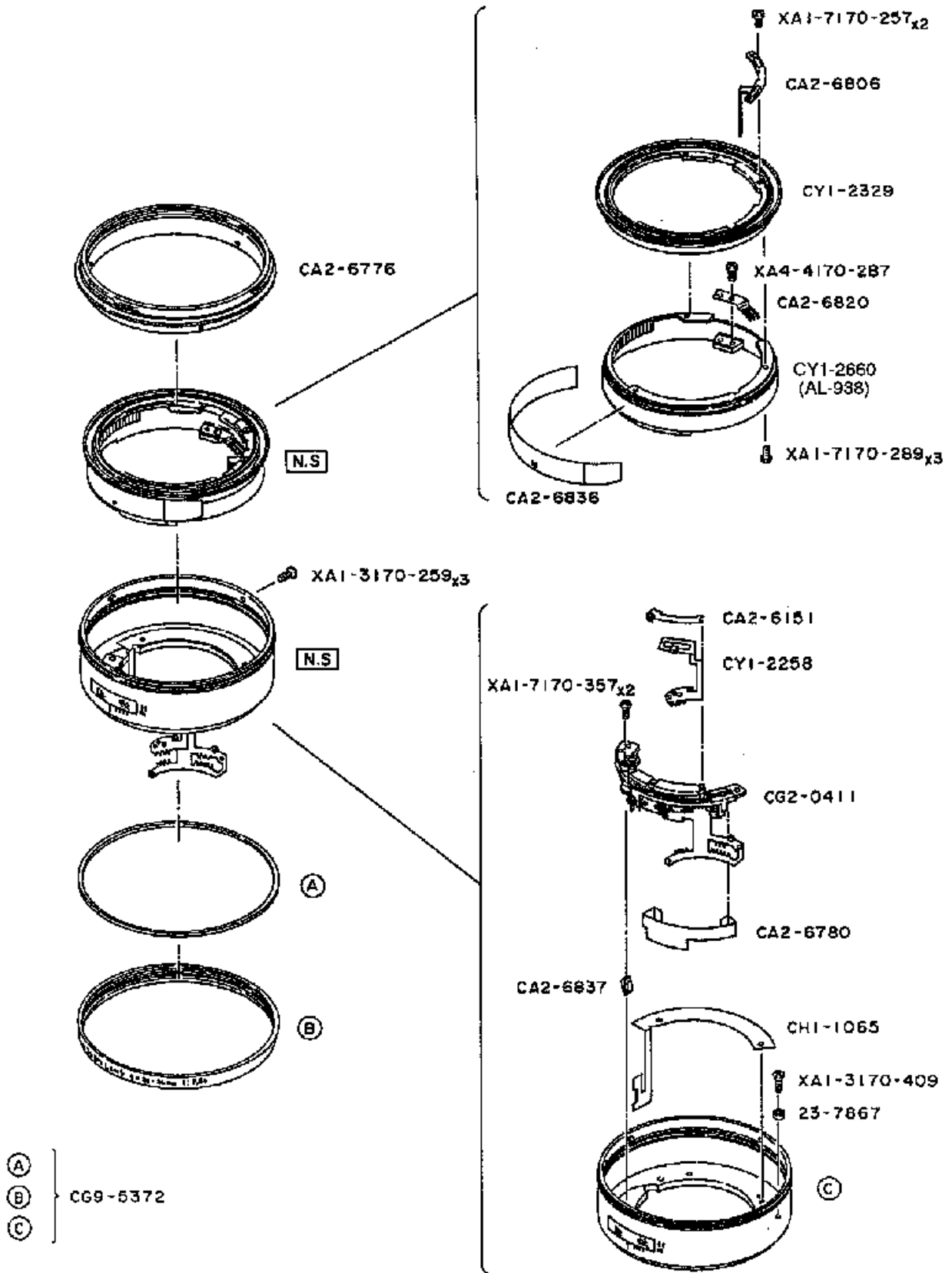
CA2-4935-000  
CA2-5160-000 detail

$\frac{A}{T}$	A	SIZE
	∅0.7 mm	(070)
	∅0.8 mm	(080)
	∅0.9 mm	(090)

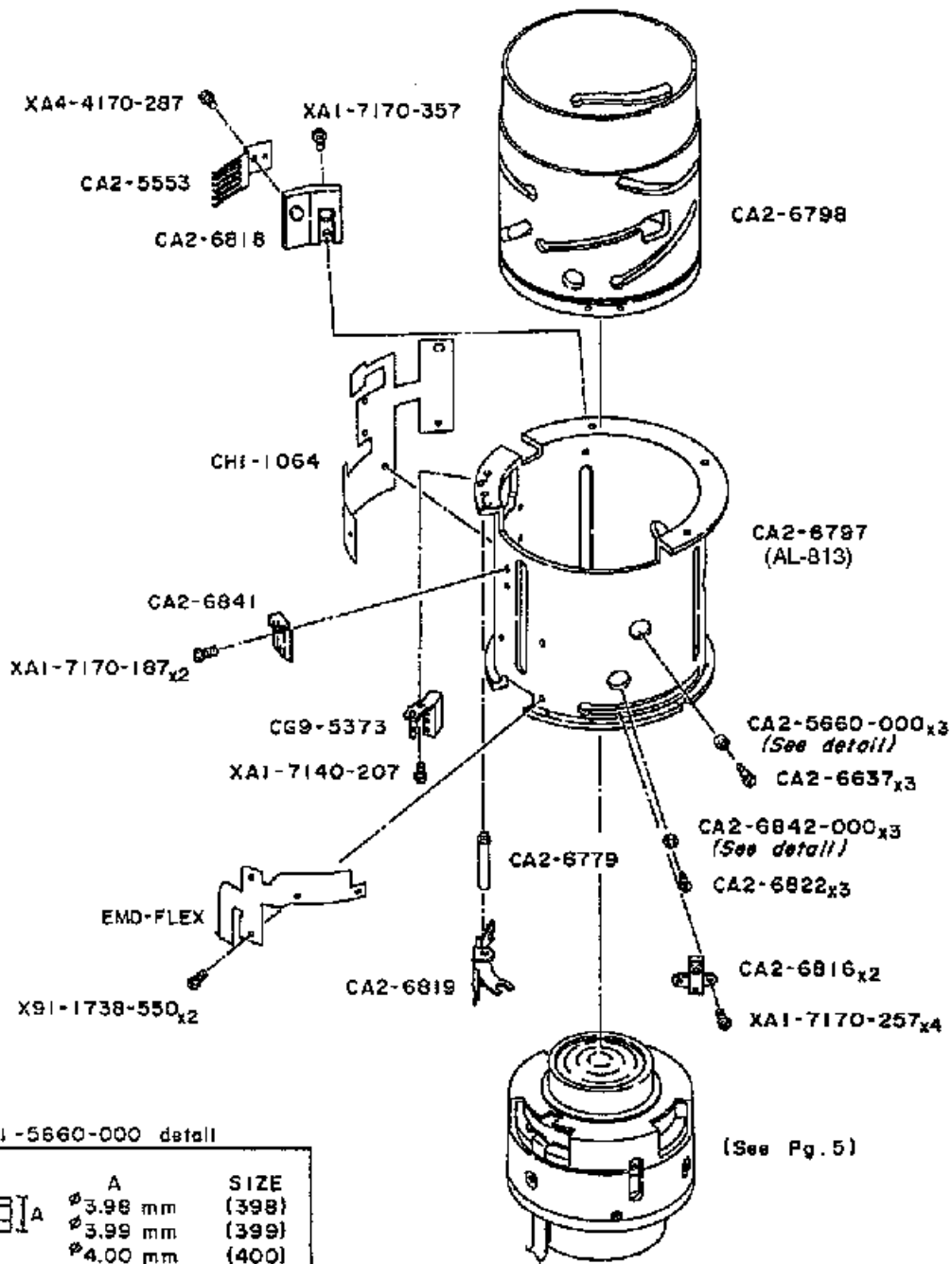
CA2-6842-000 detail

$\frac{A}{T}$	A	SIZE
	∅3.99 mm	(399)
	∅4.00 mm	(400)
	∅4.01 mm	(401)
	∅4.02 mm	(402)

# CANON LENS EF 20-35 mm 1:2.8L



CANON LENS EF 20-35 mm 1:2.8L



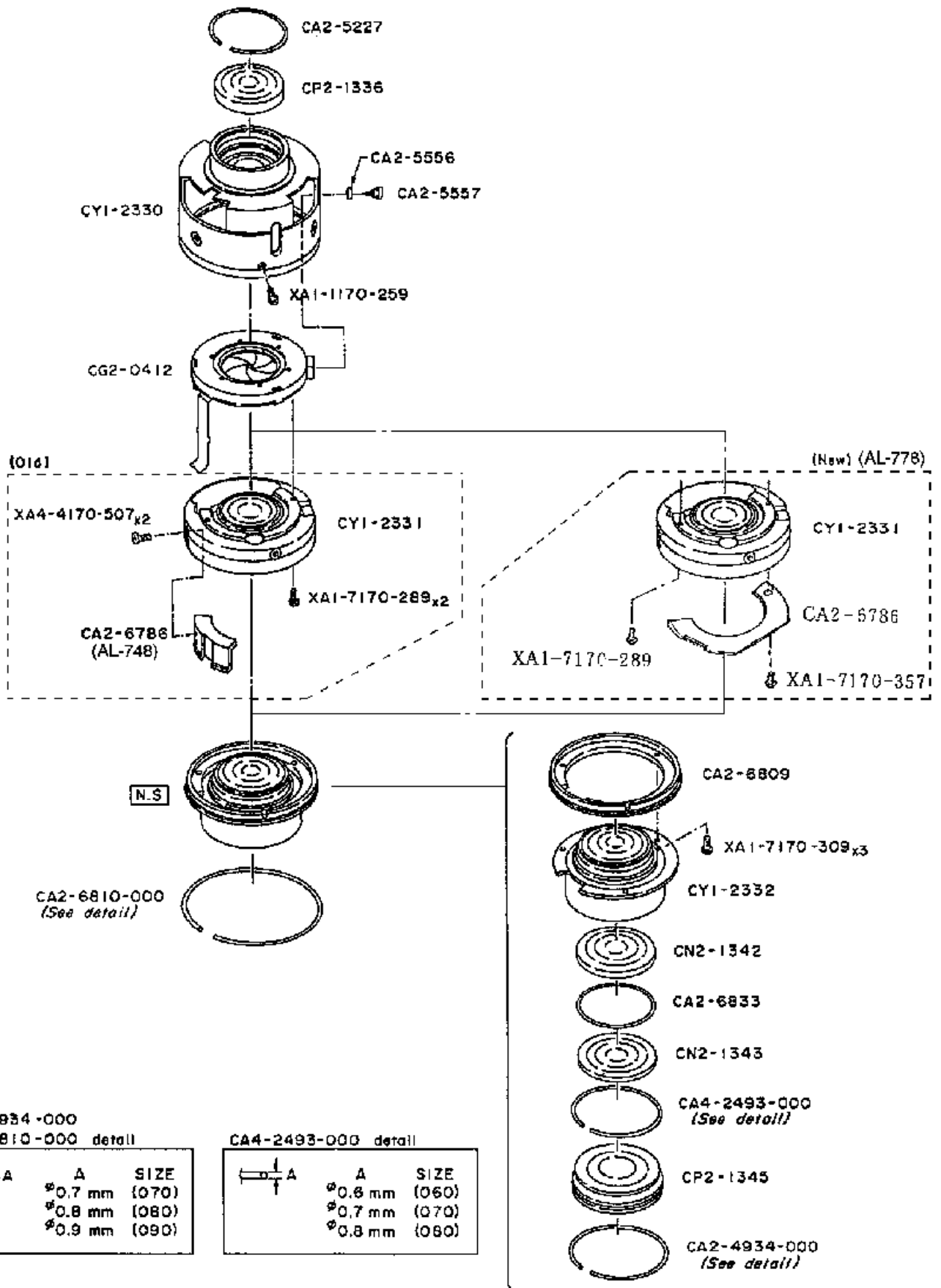
CA1-5660-000 detail

A	SIZE
3.98 mm	(398)
3.99 mm	(399)
4.00 mm	(400)

CA2-6842-000 detail

A	SIZE
3.99 mm	(399)
4.00 mm	(400)
4.01 mm	(401)
4.02 mm	(402)

CANON LENS EF 20-35 mm 1:2.8L



CA2-4934-000  
CA2-6810-000 detail

	A	SIZE
$\varnothing 0.7$ mm	(070)	
$\varnothing 0.8$ mm	(080)	
$\varnothing 0.9$ mm	(090)	

CA4-2493-000 detail

	A	SIZE
$\varnothing 0.6$ mm	(060)	
$\varnothing 0.7$ mm	(070)	
$\varnothing 0.8$ mm	(080)	

## PARTS LIST

REF.NO.C21-9512

NEW	PARTS NO.	CLASS	QTY	DESCRIPTION	PAGE
	23-7867-000	D	1	COLLAR	3
	CA2-4583-000	D	1	CONTACT ASS'Y	1
	CA2-4585-000	E	1	SCREW, MOUNT STOPPER	1
	CA2-4586-000	E	2	SCREW	1
	CA2-4934-000 (070)	E	1	RING, SNAP	5
	CA2-4934-000 (080)	E	1	RING, SNAP	5
	CA2-4934-000 (090)	E	1	RING, SNAP	5
	CA2-4935-000 (070)	E	1	RING, SNAP	2
	CA2-4935-000 (080)	E	1	RING, SNAP	2
	CA2-4935-000 (090)	E	1	RING, SNAP	2
	CA2-5160-000 (070)	E	1	RING, SNAP	2
	CA2-5160-000 (080)	E	1	RING, SNAP	2
	CA2-5160-000 (090)	E	1	RING, SNAP	2
	CA2-5227-000	E	1	RING, SNAP	5
	CA2-5291-000	D	1	RING, BUBBER	1
	CA2-5553-000	D	1	CONTACT, ZOOMING	4
	CA2-5556-000	E	1	COLLAR, ECCENTRIC	5
	CA2-5557-000	E	1	SCREW, STUD	5
	CA2-5660-000 (398)	E	3	COLLAR	4
	CA2-5660-000 (399)	E	3	COLLAR	4
	CA2-5660-000 (400)	E	3	COLLAR	4
	CA2-6151-000	E	1	HOLDER, SENSOR	3
	CA2-6637-000	E	3	SCREW, STUD	4
	CA2-6776-000	D	1	SLEEVE, FILTER	3
	CA2-6779-000	E	1	SHAFT, CLUTCH LEVER	4
	CA2-6780-000	E	1	HOLDER, A-FLEX	3
	CA2-6782-000	D	1	BARREL, FIXED	1
	CA2-6783-000	D	1	RING, ZOOMING	1
	CA2-6784-040	E	1	RING, RUBBER	1
	CA2-6786-000	E	1	BASE, U-FLEX	5
	CA2-6789-000	E	1	GEAR, MANUAL RING	1
	CA2-6797-000	E	1	BARREL, GUIDE	4
	CA2-6798-000	E	1	BARREL, CAM	4
	CA2-6802-000	E	1	RING, ASSEMBLY	2
	CA2-6805-000	E	1	GUIDE, KEY	2
	CA2-6806-000	E	1	KEY	3
	CA2-6809-000	E	1	BASE, REAR LENS BARREL	5
	CA2-6810-000 (070)	E	1	RING, SNAP	5
	CA2-6810-000 (080)	E	1	RING, SNAP	5
	CA2-6810-000 (090)	E	1	RING, SNAP	5
	CA2-6815-000	E	2	COLLAR, ZOOMING	1
	CA2-6816-000	E	2	BASE, ZOOMING RING	4
	CA2-6818-000	E	1	BASE, CONTACT	4
	CA2-6819-000	E	1	LEVER, CLUTCH	4
	CA2-6820-000	D	1	CONTACT, BRUSH	3
	CA2-6822-000	E	6	SCREW, STUD	2,4
	CA2-6824-001	D	1	COVER, BACK	1
	CA2-6830-000	E	1	BASE, FLEX	1
	CA2-6833-000	E	1	SPACER, LENS C12,13	5
	CA2-6836-000	E	1	PLATE, DISTANCE SCALE	3
	CA2-6837-000	E	1	HOLDER, AF DRIVE UNIT	3
	CA2-6839-000	E	1	SHIELD, DUST	2
	CA2-6840-000	D	1	SHIELD, DUST	1
	CA2-6841-000	E	1	STOPPER, AF DRIVE UNIT	4
	CA2-6842-000 (399)	E	6	COLLAR	2,4

## PARTS LIST

REF.NO.C21-9512

NEW	PARTS NO.	CLASS	QTY	DESCRIPTION	PAGE
	CA2-6842-000 (400)	E	6	COLLAR	2,4
	CA2-6842-000 (401)	E	6	COLLAR	2,4
	CA2-6842-000 (402)	E	6	COLLAR	2,4
	CA4-2493-000 (060)	E	1	RING, SNAP	5
	CA4-2493-000 (070)	E	1	RING, SNAP	5
	CA4-2493-000 (080)	E	1	RING, SNAP	5
	CG2-0411-000	E	1	AF DRIVE UNIT	3
	CG2-0412-000	D	1	POWER DIAPHRAGM UNIT	5
	CG2-0413-000	D	1	MAIN FLEX CBA	1
	CG9-5370-000	E	1	FOCUSING UNIT	2
	CG9-5372-000	D	1	NAME RING ASS'Y	3
	CG9-5373-000	D	1	SWITCH ASS'Y	4
	CG9-5375-000	D	1	A-M SWITCH ASS'Y	1
	CH1-1064-000	E	1	FLEX, ZOOMING	4
	CH1-1065-000	E	1	T-FLEX	3
	CN2-1331-000	D	1	LENS, G1	2
	CN2-1332-000	E	1	LENS, G2	2
	CN2-1333-000	D	1	LENS, G3	2
	CN2-1334-000	E	1	LENS, G4	2
	CN2-1342-000	E	1	LENS, G12	5
	CN2-1343-000	E	1	LENS, G13	5
	CP2-1336-000	E	1	LENS, G5/6	5
	CP2-1345-000	E	1	LENS, G14/15	5
	CY1-2178-000 (002)	E	1	WASHER, MOUNT	1
	CY1-2178-000 (005)	E	1	WASHER, MOUNT	1
	CY1-2180-000 (200)	C	1	MOUNT, LENS	1
	CY1-2180-000 (210)	C	1	MOUNT, LENS	1
	CY1-2180-000 (220)	C	1	MOUNT, LENS	1
	CY1-2180-000 (230)	C	1	MOUNT, LENS	1
	CY1-2180-000 (240)	C	1	MOUNT, LENS	1
	CY1-2180-000 (250)	C	1	MOUNT, LENS	1
	CY1-2180-000 (260)	C	1	MOUNT, LENS	1
	CY1-2180-000 (270)	C	1	MOUNT, LENS	1
	CY1-2258-000	E	1	PHOTO REFLECTOR FLEX	3
	CY1-2329-000	E	1	KEY RING ASS'Y	3
	CY1-2330-000	E	1	BARREL/LENS G7	5
	CY1-2331-000	E	1	BARREL/LENS G8,9/10	5
	CY1-2332-000	E	1	BARREL/LENS G11	5
	CY1-2342-000	E	1	RING, LENS NO.	1
	CY1-2659-000	E	1	RING, MANUAL	1
	CY1-2660-000	E	1	RING, FOCUSING	3
	X91-1738-550		2	SCREW, CROSS-RECESS, PH	4
	X96-1723-020		1	SCREW, CROSS-RECESS, SHOULDER	1
	XA1-1170-259		1	SCREW, CROSS-RECESS, PH	5
	XA1-3170-259		3	SCREW, CROSS-RECESS, FCH	3
	XA1-3170-309		2	SCREW, CROSS-RECESS, FCH	2
	XA1-3170-409		1	SCREW, CROSS-RECESS, FCH	3
	XA1-7140-207		1	SCREW, CROSS-RECESS, PH	4
	XA1-7170-187		4	SCREW, CROSS-RECESS, PH	1,4
	XA1-7170-257		6	SCREW, CROSS-RECESS, PH	3,4
	XA1-7170-289		5	SCREW, CROSS-RECESS, PH	3,5
	XA1-7170-307		8	SCREW, CROSS-RECESS, PH	1,2
	XA1-7170-309		3	SCREW, CROSS-RECESS, PH	5
	XA1-7170-357		4	SCREW, CROSS-RECESS, PH	3,4,5
	XA1-7170-507		1	SCREW, CROSS-RECESS, PH	1

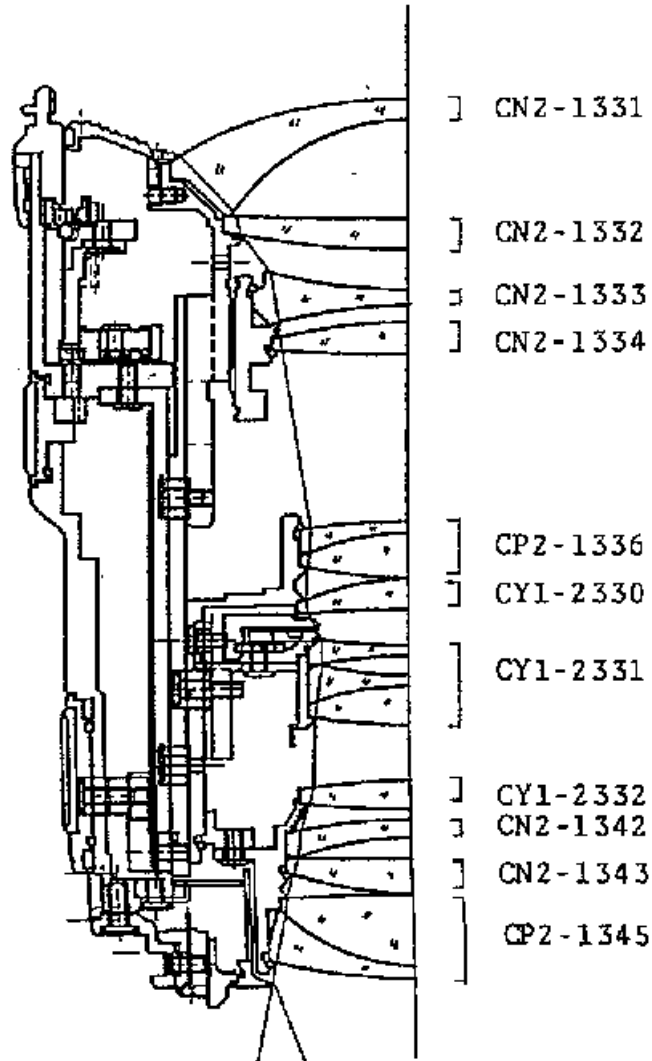
# PARTS LIST

REF.NO.C21-9512

NEW	PARTS NO.	CLASS	QTY	DESCRIPTION	PAGE
	XA1-7200-456		4	SCREW, CROSS-RECESS, PH	1
	XA4-4170-287		2	SCREW, CROSS-RECESS, PH	3,4
	XA4-4170-507		2	SCREW, CROSS-RECESS, PH	5

# CANON LENS EF 20-35 mm 1:2.8L

REF. NO. C21-9512



**ATTENTION:** these documentations are published only for purpose of study and search, they are not published for purpose of profit, all the rights and relative copyrights are of the respective owners. **Free documentation not to sell.**