

EF 200mm 1:1.8 L USM
REF.NO. C21-8272

CANON LENS HOOD

ET-123

FOR EF 200mm 1:1.8 L

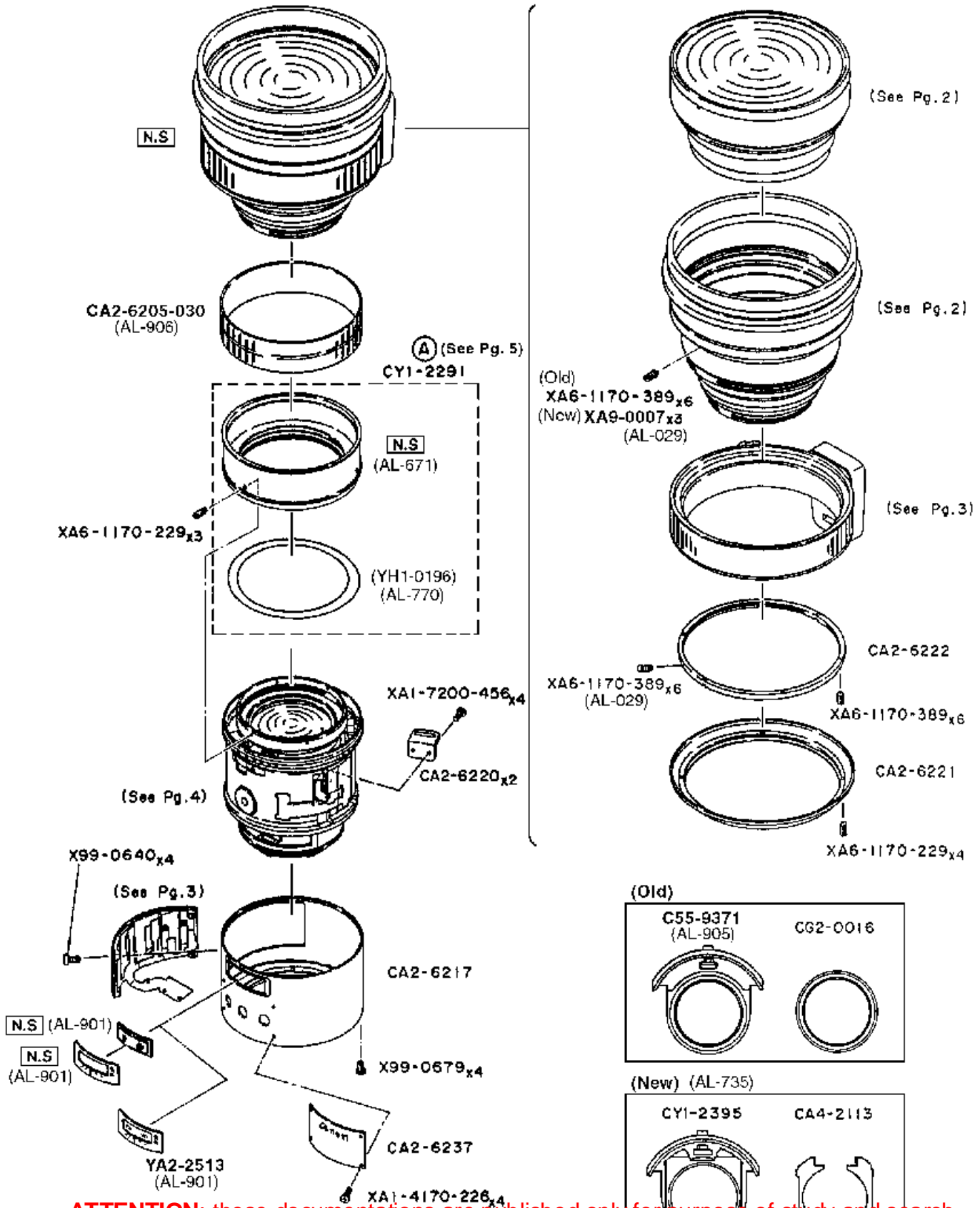
C44-8141

PARTS CATALOG

ATTENTION: these documentations are published only for purpose of study and search, they are not published for purpose of profit, all the rights and relative copyrights are of the respective owners. **Free documentation not to sell.**

CANON LENS EF 200 mm 1:1.8 L USM

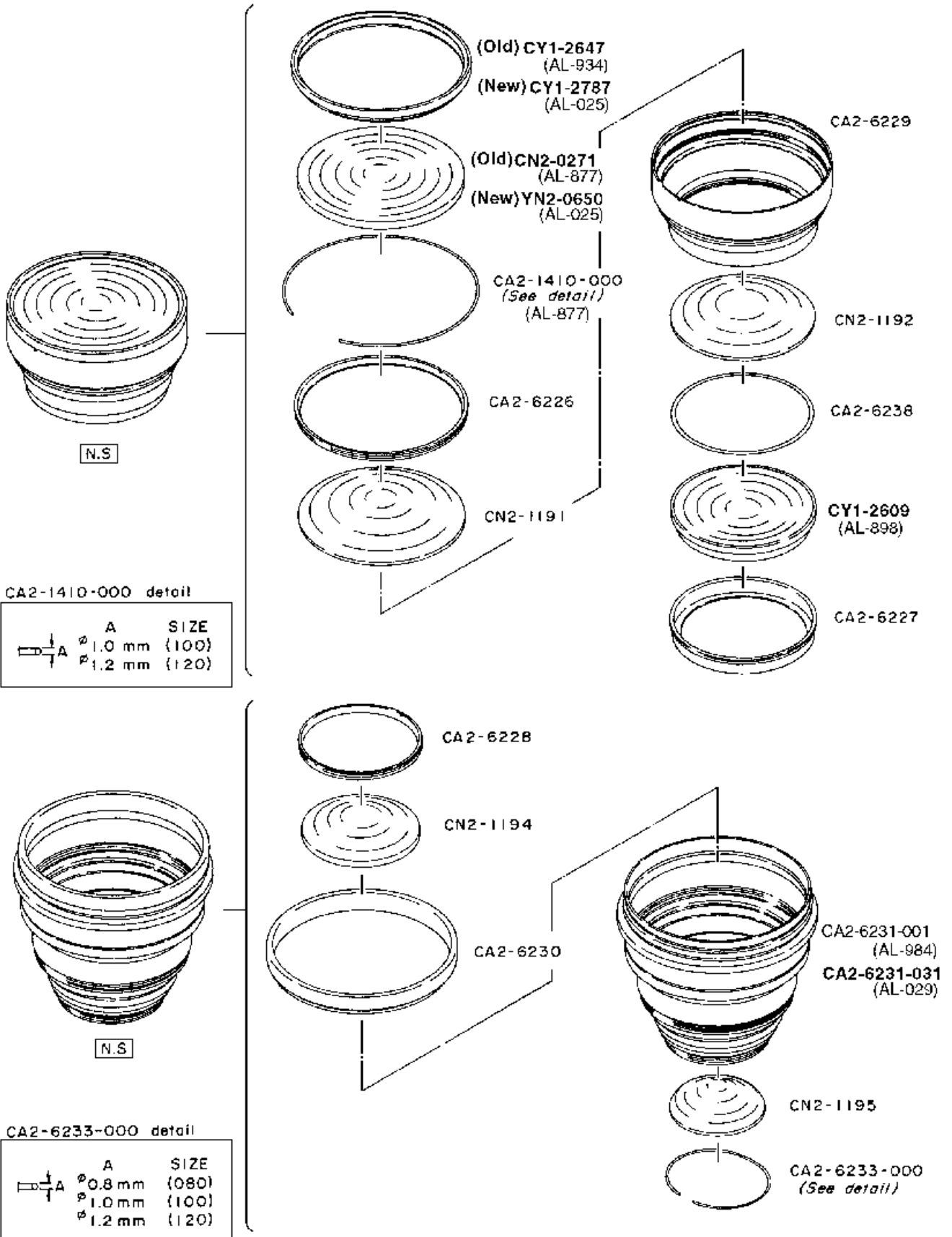
REF.NO. C21-8272



ATTENTION: these documentations are published only for purpose of study and search, they are **not published for purpose of profit**, all the rights and relative copyrights are of the respective owners. **Free documentation not to sell.**

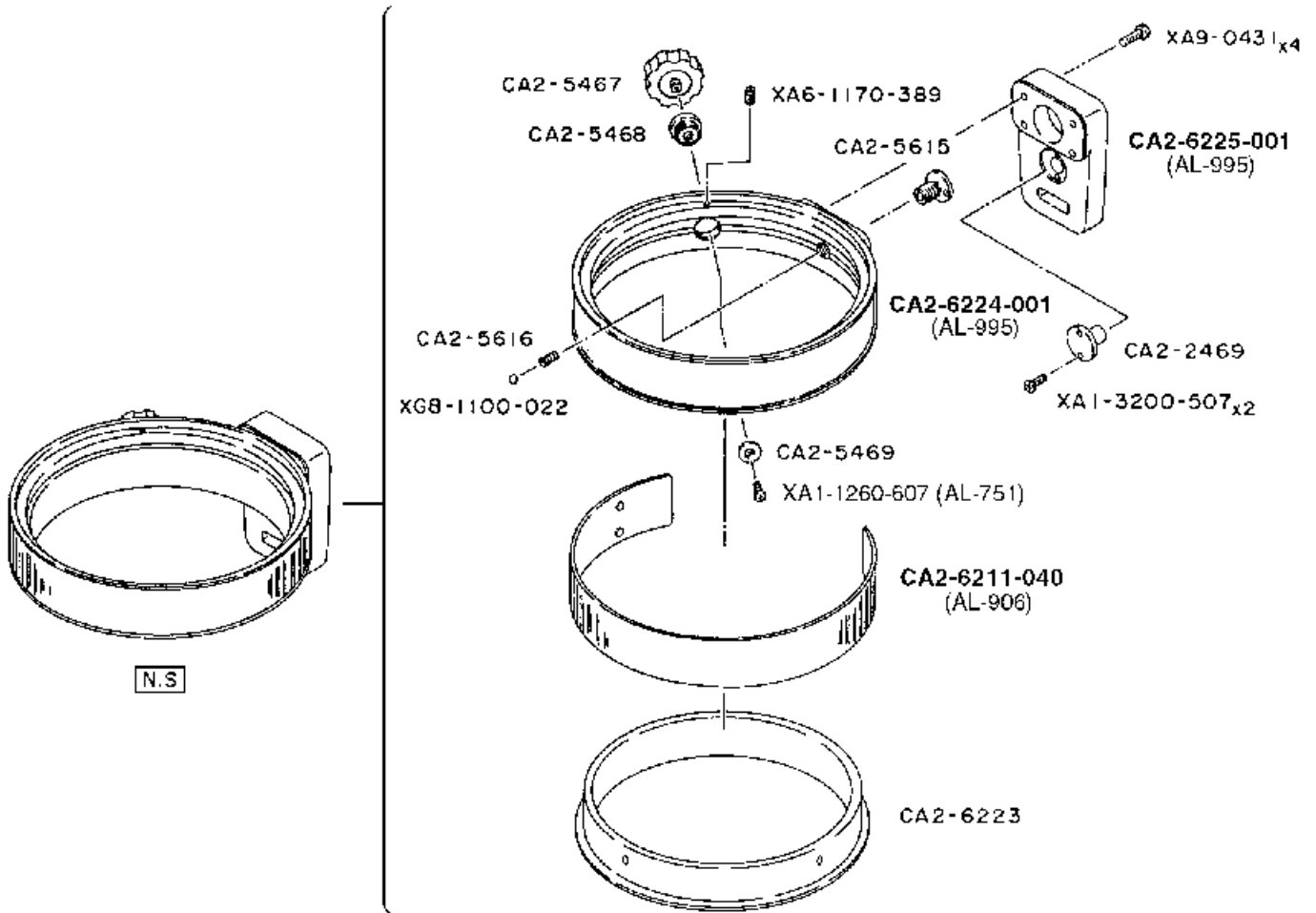
CANON LENS EF 200 mm 1:1.8 L USM

REF.NO. C21-8272

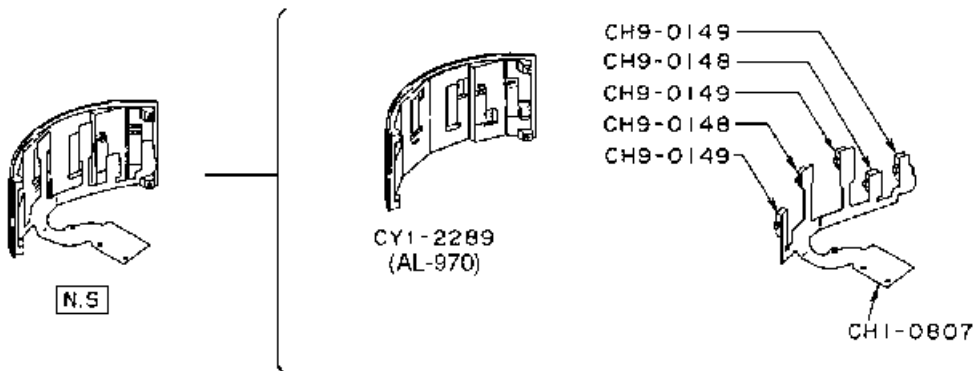


CANON LENS EF 200 mm 1:1.8 L USM

REF.NO. C21-8272



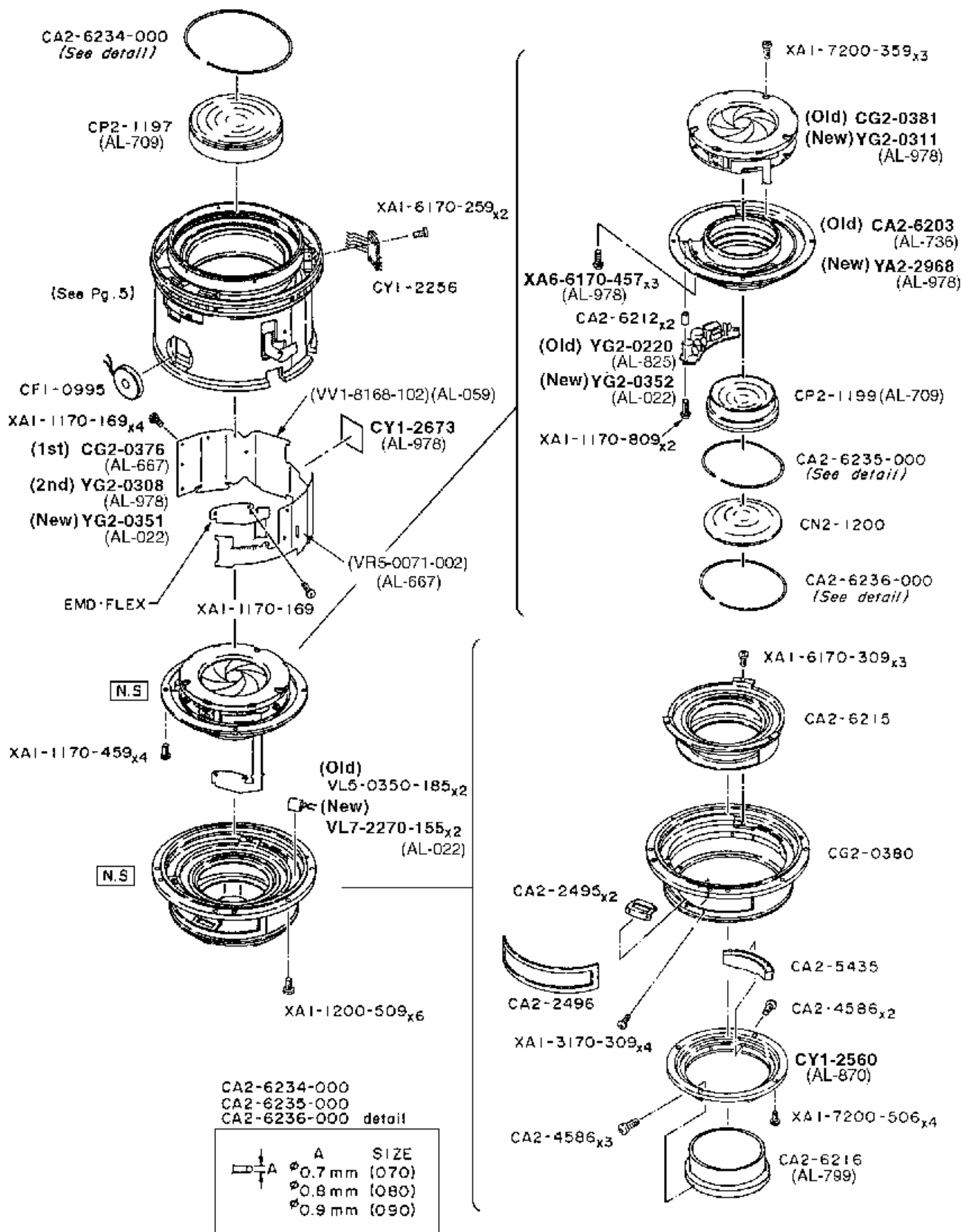
N.S



N.S

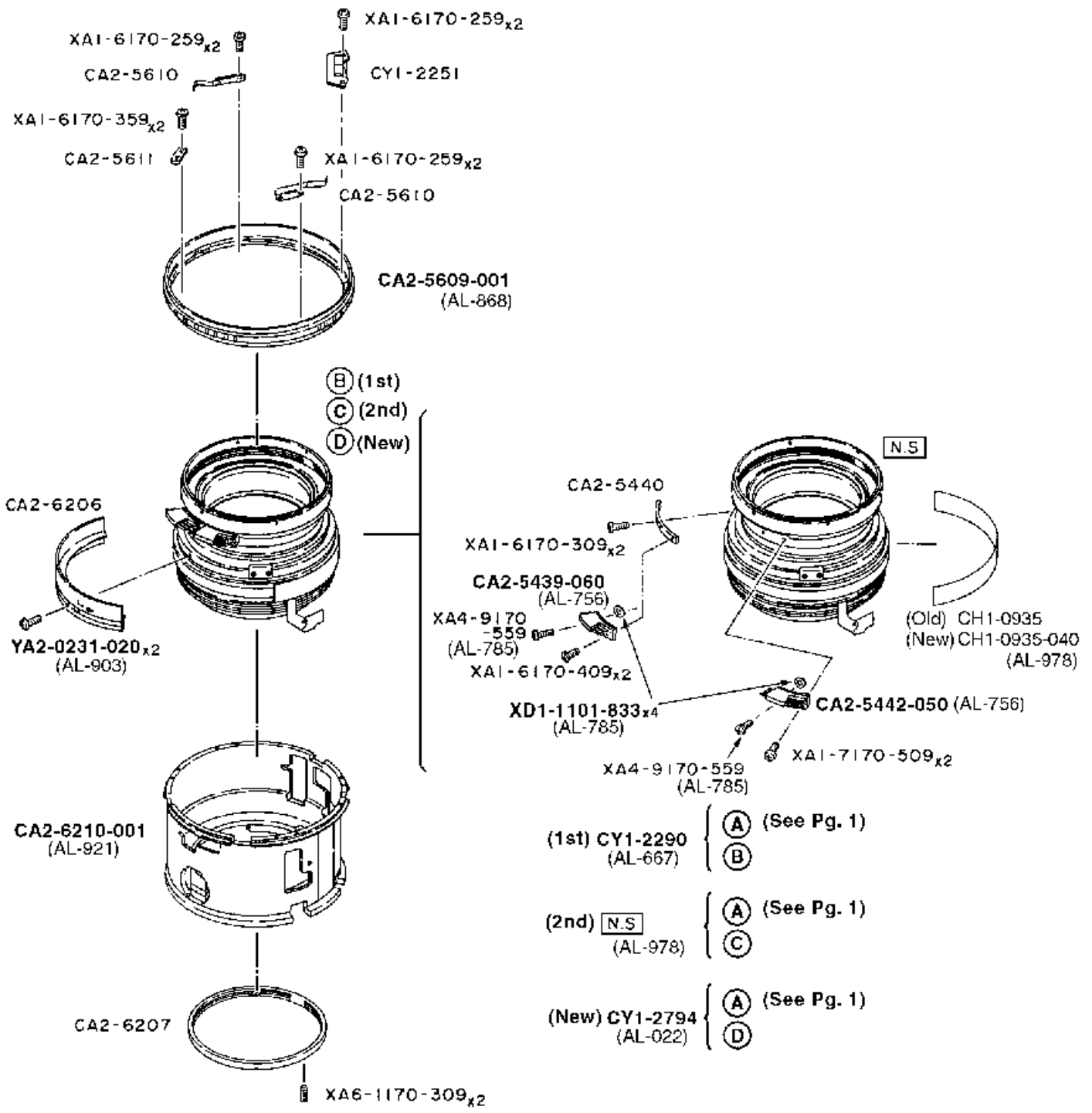
CANON LENS EF 200 mm 1:1.8 L USM

REF.NO. C21-8272



CANON LENS EF 200 mm 1:1.8 L USM

REF.NO. C21-8272



PARTS LIST

REF.No. C21-8272 EF200mm 1:1.8 L USM

NEW	PARTS NO.	CLASS	QTY	DESCRIPTION	PAGE
	C55-9371-000	D	1	FILTER HOLDER UNIT (Old)	1
	CA2-1410-000 (XXX)	E	1	RING, SNAP	2
	CA2-2469-000	D	1	SOCKET, TRIPOD	3
	CA2-2495-000	D	2	GUIDE, FILTER	4
	CA2-2496-000	C	1	SEAL, RUBBER	4
	CA2-4586-000		5	SCREW, CROSS-RECESS, PH	4
	CA2-5435-000	D	1	CONTACT ASS'Y	4
	CA2-5439-060	E	1	CONTACT L	5
	CA2-5440-000	E	1	ADJUST BASE, E BRUSH	5
	CA2-5442-050	E	1	CONTACT R	5
	CA2-5467-000	D	1	KNOB	3
	CA2-5468-000	E	1	NUT, LOCK	3
	CA2-5469-000	E	1	WASHER	3
	CA2-5609-001	D	1	RING, FOCUS PRESET	5
	CA2-5610-000	E	2	SPRING, PLATE	5
	CA2-5611-000	E	1	STOPPER, F.P. RING	5
	CA2-5615-000	E	1	HOLDER, BALL	3
	CA2-5616-000	E	1	SPRING, COIL	3
	CA2-6203-000	E	1	BARREL, LENS G8-G10 (Old)	4
	CA2-6205-030	D	1	RING, RUBBER	1
	CA2-6206-000	E	1	SCALE, FOCUSING	5
	CA2-6207-000	E	1	COLLAR, ASSEMBLY	5
	CA2-6210-001	E	1	SLEEVE	5
	CA2-6211-040	E	1	GRIP	3
	CA2-6212-000	E	2	COLLAR	4
	CA2-6215-000	E	1	SLEEVE, IRIS	4
	CA2-6216-000	D	1	COVER, BACK	4
	CA2-6217-000	D	1	SLEEVE, INDICATOR	1
	CA2-6220-000	D	2	LUG, STRAP	1
	CA2-6221-000	E	1	RING	1
	CA2-6222-000	E	1	COLLAR, ASSEMBLY	1
	CA2-6223-000	E	1	RING, CLICK	3
	CA2-6224-001	D	1	RING, TRIPOD	3
	CA2-6225-001	D	1	BASE, TRIPOD	3
	CA2-6226-000	E	1	COLLAR, ASSEMBLY	2
	CA2-6227-000	E	1	COLLAR, ASSEMBLY	2
	CA2-6228-000	E	1	COLLAR, ASSEMBLY	2
	CA2-6229-000	E	1	BARREL, LENS G1-G3	2
	CA2-6230-000	E	1	PROTECTOR	2
	CA2-6231-001	D	1	BARREL, FRONT LENS	2
	CA2-6231-031	D	1	BARREL, FRONT LENS	2
	CA2-6233-000 (XXX)	E	1	RING, SNAP	2
	CA2-6234-000 (XXX)	E	1	RING, SNAP	4
	CA2-6235-000 (XXX)	E	1	RING, SNAP	4
	CA2-6236-000 (XXX)	E	1	RING, SNAP	4

PARTS LIST

REF.No. C21-8272 EF200mm 1:1.8 L USM

NEW	PARTS NO.	CLASS	QTY	DESCRIPTION	PAGE
	CA2-6237-000	D	1	NAMEPLATE	1
	CA2-6238-000	E	1	WASHER, LENS G2/3	2
	CA4-2113-000	D	1	HOLDER, GELATIN (New)	1
	CF1-0995-000	E	1	BEEPER	4
	CG2-0016-000	D	1	FILTER UNIT (Old)	1
	CG2-0376-000	D	1	FPC ASS'Y, MAIN (1st)	4
	CG2-0380-000	D	1	BARREL, FIXED	4
	CG2-0381-000	D	1	POWER DIAPHRAGM UNIT (Old)	4
	CH1-0807-000	E	1	SW-FLEX	3
	CH1-0935-000	E	1	FLEX, FOCUSING (Old)	5
	CH1-0935-040	E	1	FLEX, FOCUSING (New)	5
	CH9-0148-000	E	2	SWITCH, SLIDE	3
	CH9-0149-000	E	3	SWITCH, SLIDE	3
	CN2-0271-000	C	1	LENS (Old)	2
	CN2-1191-000	D	1	LENS, G1	2
	CN2-1192-000	E	1	LENS, G2	2
	CN2-1194-000	E	1	LENS, G4	2
	CN2-1195-000	E	1	LENS, G5	2
	CN2-1200-000	E	1	LENS, G10	4
	CP2-1197-000	E	1	LENS, G6/7	4
	CP2-1199-000	E	1	LENS, G8/9	4
	CY1-2251-000	E	1	PRESET SWITCH UNIT	5
	CY1-2256-000	D	1	FOCUSING CONTACT UNIT	4
	CY1-2289-000	D	1	SWITCH PANEL UNIT	3
	CY1-2290-000	D	1	FOCUSING UNIT (1st)	5
	CY1-2291-000	D	1	RING, MANUAL FOCUSING	1
	CY1-2395-000	D	1	FILTER HOLDER UNIT (New)	1
	CY1-2560-000	D	1	MOUNT, LENS	4
	CY1-2609-000	E	1	LENS, G3	2
	CY1-2647-000	E	1	BARREL, LENS (Old)	2
	CY1-2673-000	E	1	PCB ASS'Y, RELAY	4
	CY1-2787-000	E	1	BARREL, LENS (New)	2
	CY1-2794-000	D	1	FOCUSING UNIT (New)	5
	VL5-0350-185	E	2	COIL (Old)	4
	VL7-2270-155	E	2	COIL (New)	4
	VR5-0071-002	E	1	RESISTOR 10KOHM 1/8W	4
	VV1-8168-102	E	1	RESISTOR, METAL	4
	X99-0640-000		4	SCREW, CROSS-RECESS, PH	1
	X99-0679-000		4	SCREW, CROSS-RECESS, PH	1
	XA1-1170-169		5	SCREW, CROSS-RECESS, PH	4
	XA1-1170-459		4	SCREW, CROSS-RECESS, PH	4
	XA1-1170-809		2	SCREW, CROSS-RECESS, PH	4
	XA1-1200-509		6	SCREW, CROSS-RECESS, PH	4
	XA1-1260-607		1	SCREW, CROSS-RECESS, PH	3
	XA1-3170-309		4	SCREW, CROSS-RECESS, PH	4

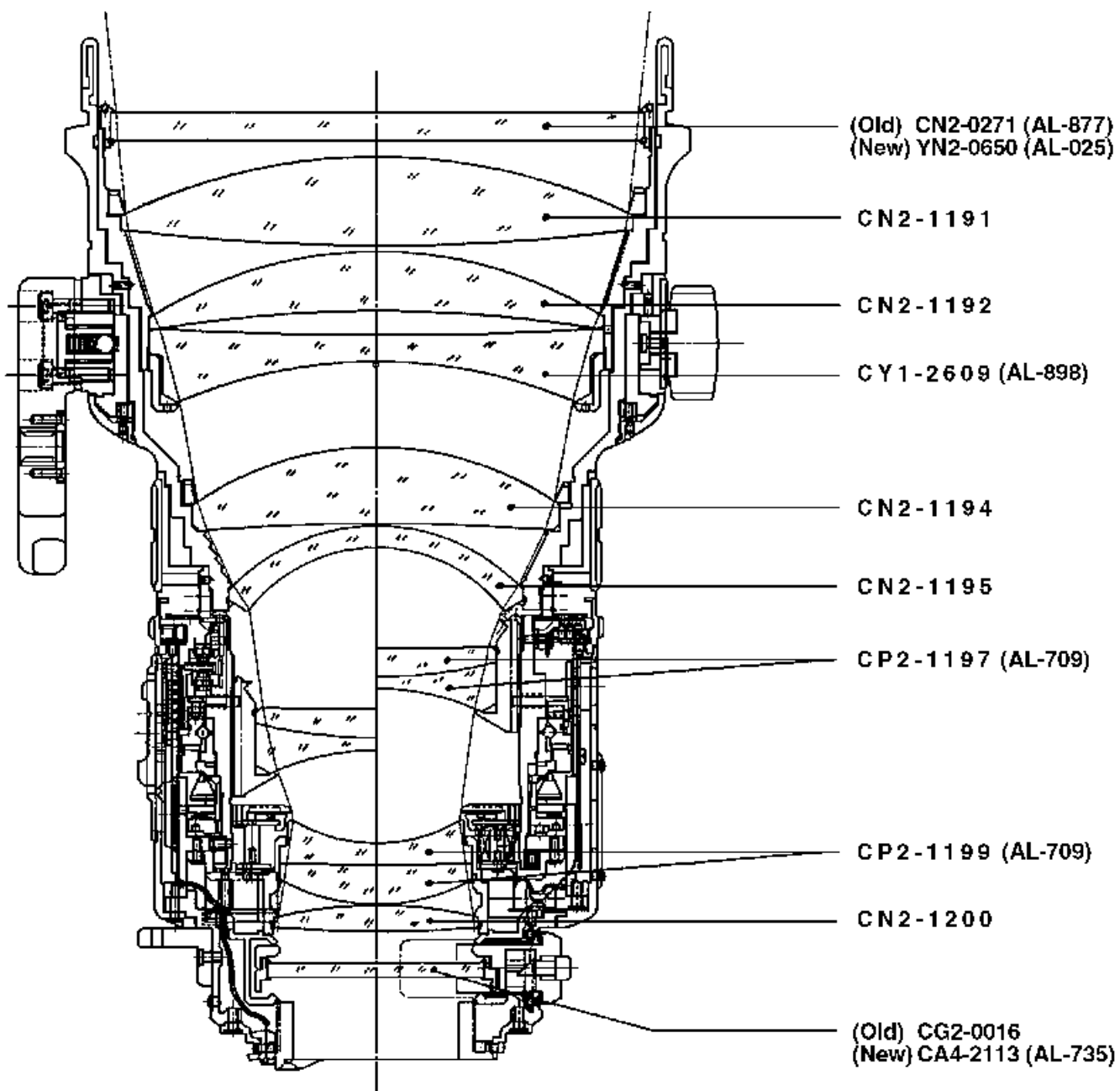
PARTS LIST

REF.No. C21-8272 EF200mm 1:1.8 L USM

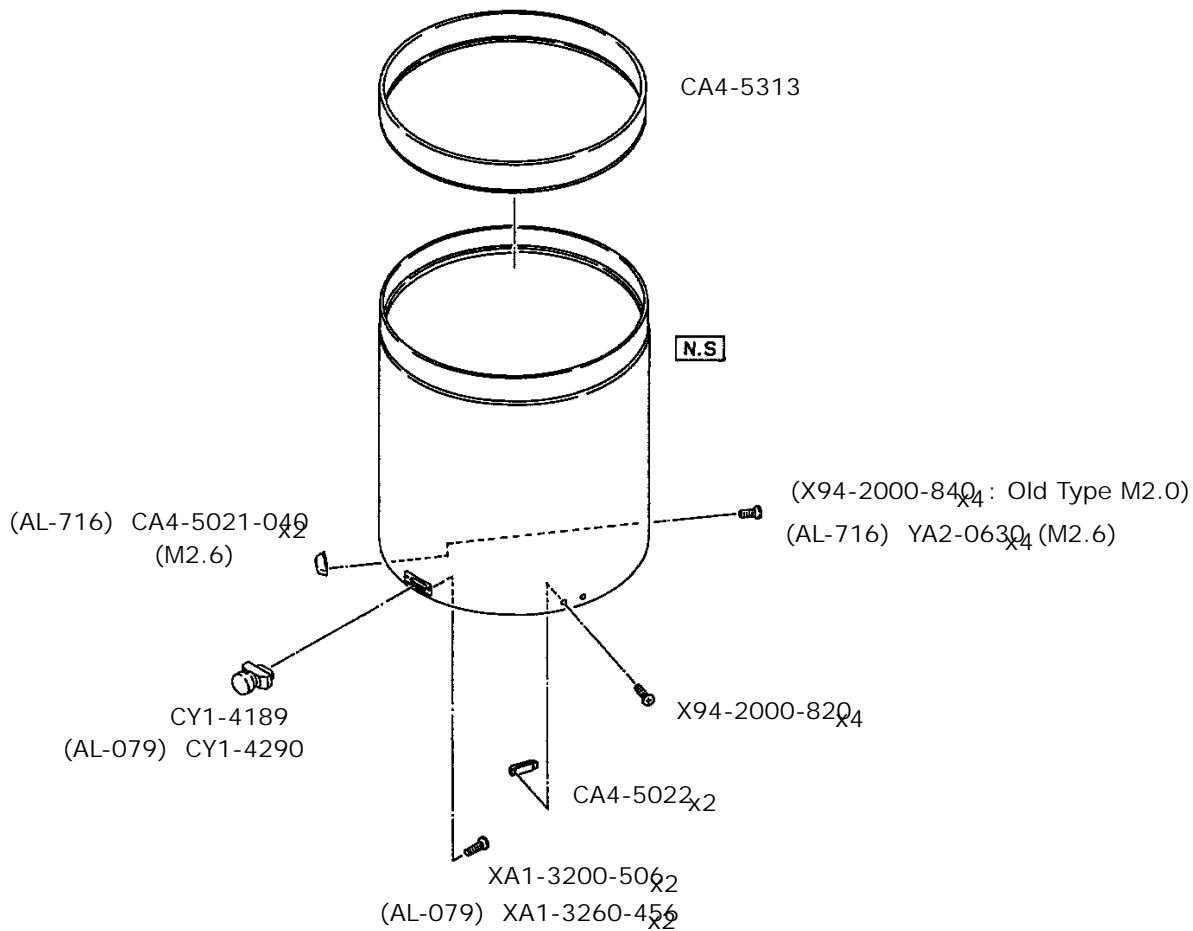
NEW	PARTS NO.	CLASS	QTY	DESCRIPTION	PAGE
	XA1-3200-507		2	SCREW, CROSS-RECESS, PH	3
	XA1-4170-226		4	SCREW, CROSS-RECESS, PH	1
	XA1-6170-259		8	SCREW, CROSS-RECESS, PH	4,5
	XA1-6170-309		5	SCREW, CROSS-RECESS, PH	4,5
	XA1-6170-359		2	SCREW, CROSS-RECESS, PH	5
	XA1-6170-409		2	SCREW, CROSS-RECESS, PH	5
	XA1-7170-509		2	SCREW, CROSS-RECESS, PH	5
	XA1-7200-359		3	SCREW, CROSS-RECESS, PH	4
	XA1-7200-456		4	SCREW, CROSS-RECESS, PH	1
	XA1-7200-506		4	SCREW, CROSS-RECESS, PH	4
	XA4-9170-559		2	SCREW, CROSS-RECESS, PH	5
	XA6-1170-229		7	SETSCREW, SLOTTED, HLCP	1
	XA6-1170-309		2	SETSCREW, SLOTTED, HLCP	5
	XA6-1170-389		19	SETSCREW, SLOTTED, HLCP	1,3
	XA6-6170-457		3	SETSCREW, SLOTTED, HLCP	4
	XA9-0007-000		3	SETSCREW, SLOTTED, HLCP	1
	XA9-0431-000		4	BOLT, HEXAGON SOCKET	3
	XD1-1101-833		4	WASHER	5
	XG8-1100-022		1	BALL, STEEL	3
	Y11-3901-000			LEAD (WHITE)	
	Y11-3902-000			LEAD (BLACK)	
	Y11-3903-000			LEAD (RED)	
	Y11-3906-000			LEAD (ORANGE)	
	Y11-3907-000			LEAD (YELLOW)	
	Y11-3911-000			LEAD (BLUE)	
	Y11-3912-000			LEAD (PURPLE)	
	Y11-3913-000			LEAD (BROWN)	
	Y11-3914-000			LEAD (GRAY)	
	Y11-5002-000			LEAD (BLACK)	
	Y11-5003-000			LEAD (RED)	
	YA2-0231-020		2	SCREW, CROSS-RECESS, PH	5
	YA2-2513-000	D	1	SCALE, DEPTH OF FIELD	1
	YA2-2968-000	E	1	BARREL, LENS G8-G10	4
	YG2-0220-000	D	1	CONVERTER, DC/DC (Old)	4
	YG2-0308-000	D	1	FPC ASS'Y, MAIN (2nd)	4
	YG2-0311-000	D	1	POWER DIAPHRAGM UNIT (New)	4
	YG2-0351-000	D	1	FPC ASS'Y, MAIN (New)	4
	YG2-0352-000	D	1	CONVERTER, DC/DC (New)	4
	YH1-0196-000	D	1	CONTACT BOARD, M-FOCUS	1
	YN2-0650-000	D	1	LENS (New)	2

CANON LENS EF 200 mm 1:1.8 L USM

REF.NO. C21-8272



CANON LENS HOOD ET-123



PARTS LIST

REF.NO. C21-8382

LENS HOOD ET-123

NEW	PART NO.	CLASS	DESCRIPTION	PAGE
	CA4-5021-040	TAB-E, HOOD		9
	CA4-5022-000	TAB-E, HOOD		9
	CA4-5313-000	PROTECTOR		9
	CY1-4189-000	LCIO UNIT		9
	CY1-4290-000	LCIO UNIT		9
	X94-2000-820	4	SCREW	9
	X94-2000-840	4	SCREW	9
	XA1-3200-506	2	SCREW	9
	XA1-3260-456	2	SCREW	9
	YA2-0630-000	4	SCREW	9

ATTENTION: these documentations are published only for purpose of study and search, they are not published for purpose of profit, all the rights and relative copyrights are of the respective owners. **Free documentation not to sell.**