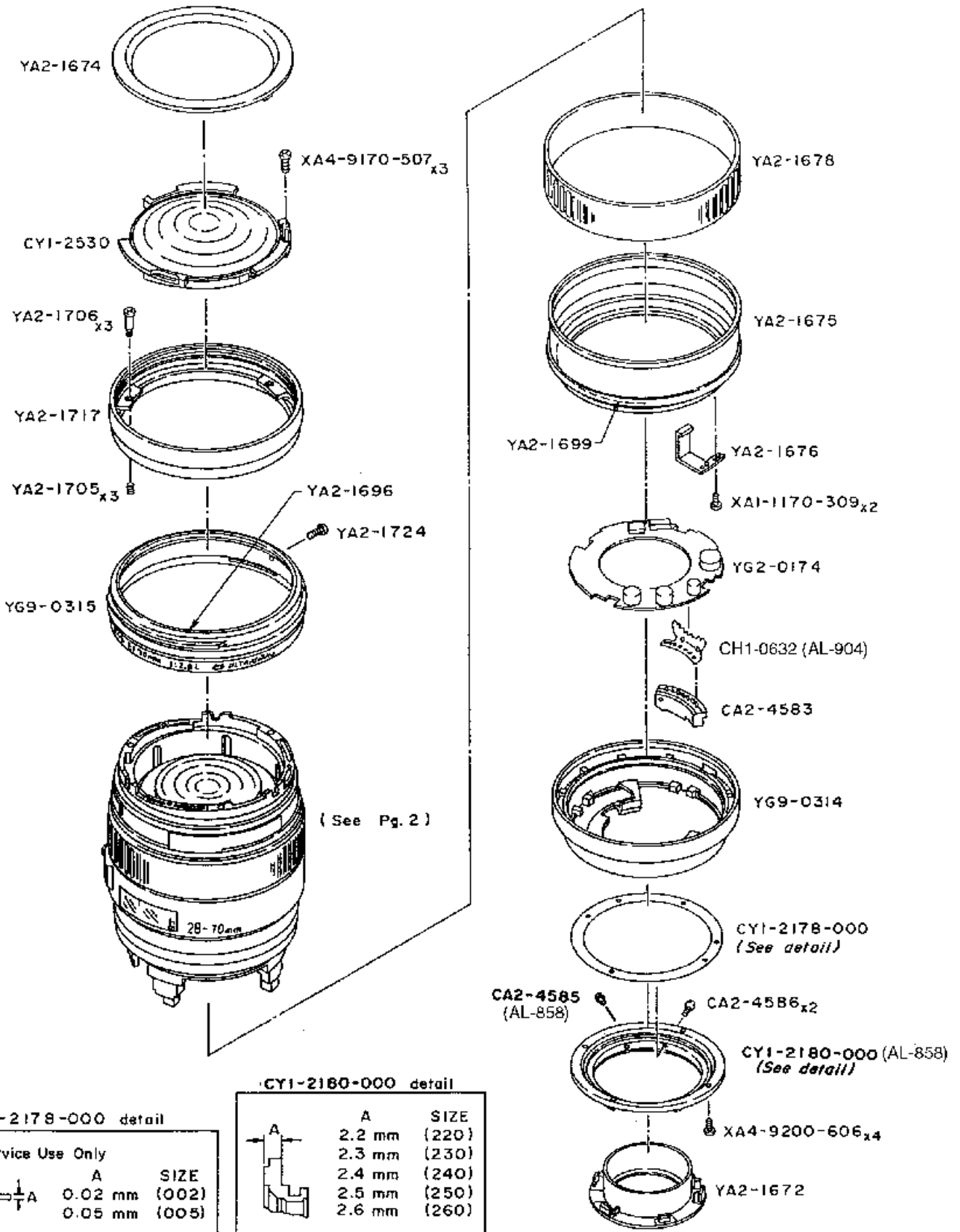


EF 28-70mm 1:2.8 L USM
REF.NO. C21-9742

PARTS CATALOG

ATTENTION: these documentations are published only for purpose of study and search, they are **not published for purpose of profit**, all the rights and relative copyrights are of the respective owners. **Free documentation not to sell.**

CANON LENS EF28-70 mm 1:2.8L USM



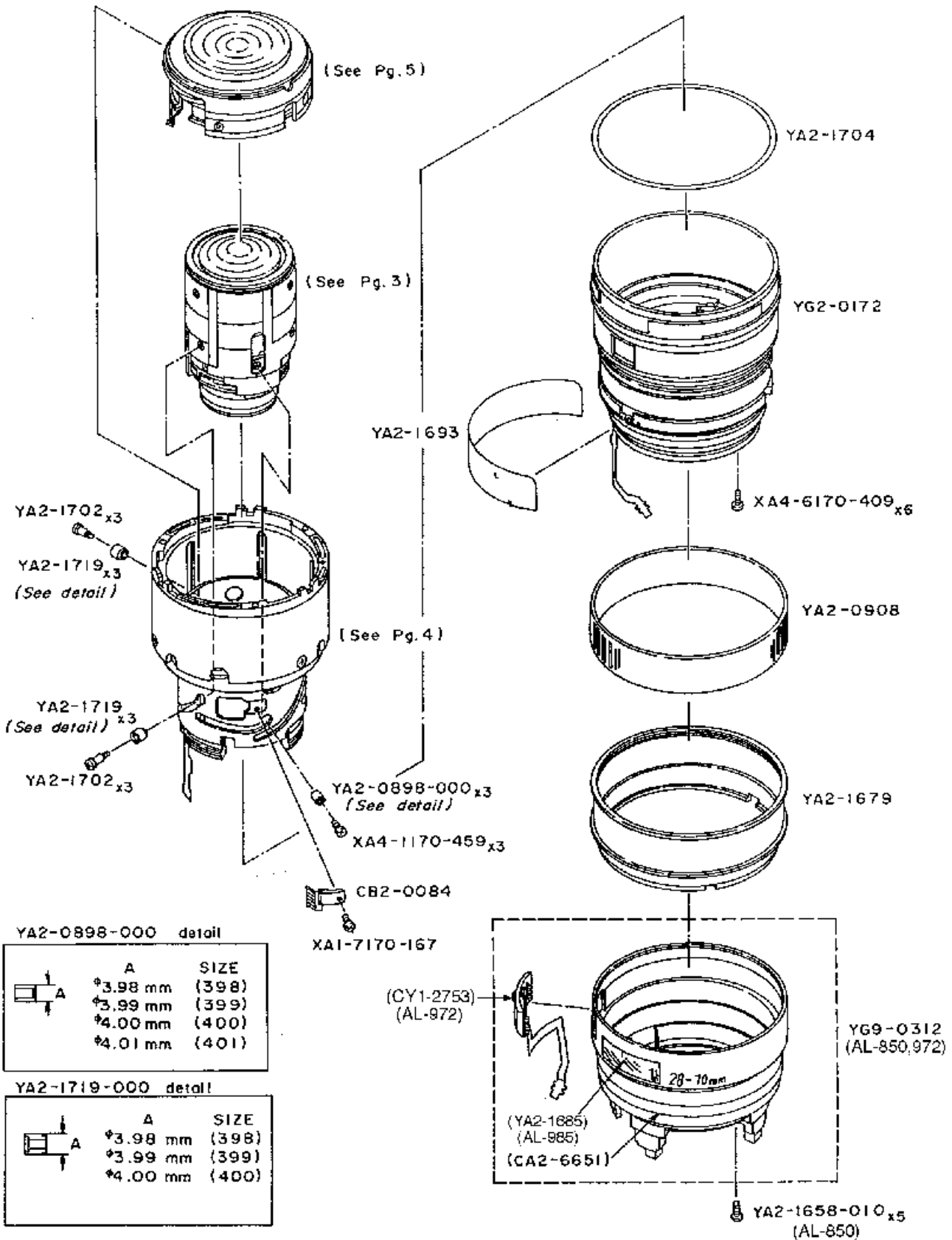
CY1-2178-000 detail

Service Use Only		
	A	SIZE
	0.02 mm	(002)
	0.05 mm	(005)

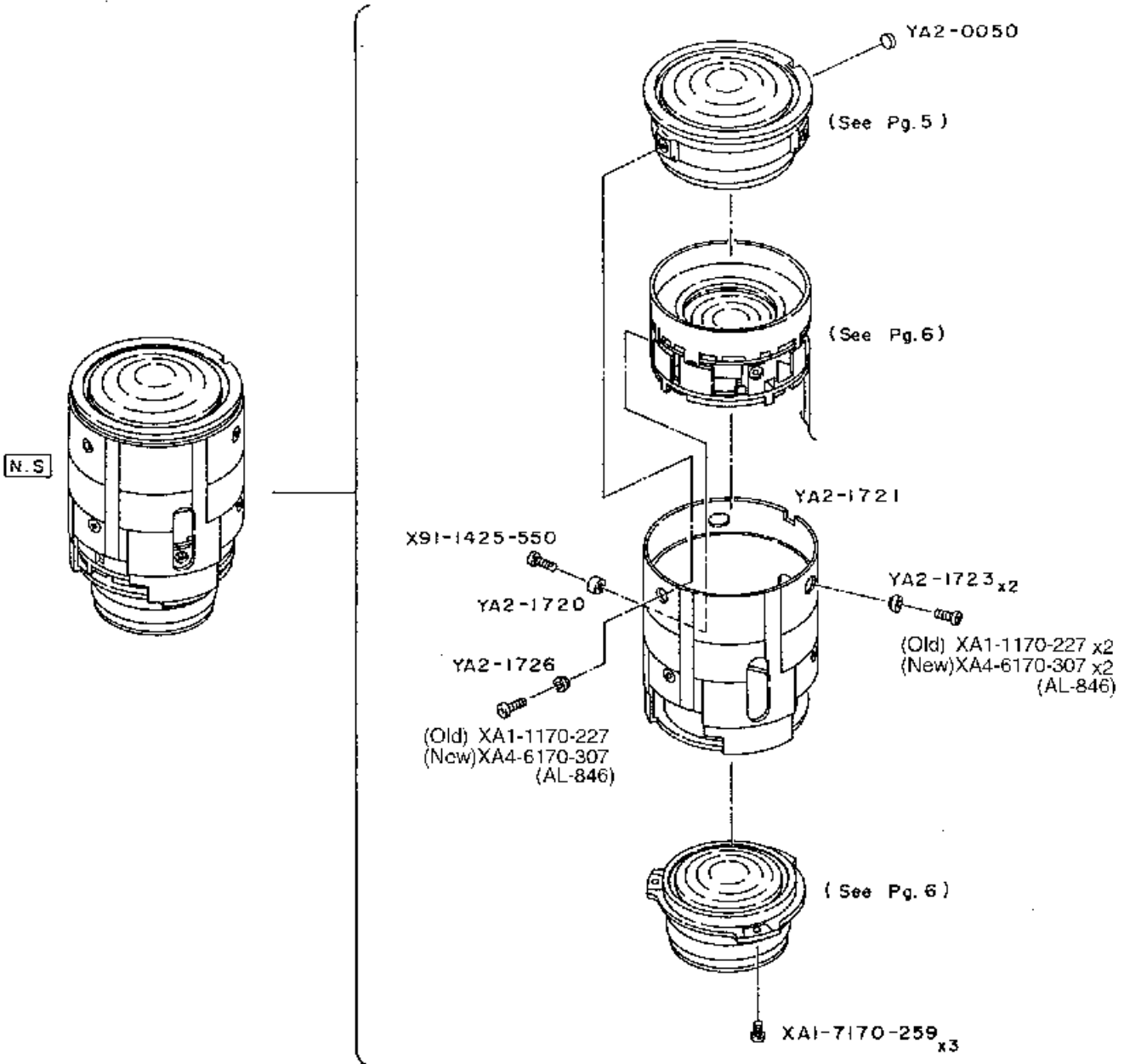
CY1-2180-000 detail

	A	SIZE
	2.2 mm	(220)
	2.3 mm	(230)
	2.4 mm	(240)
	2.5 mm	(250)
	2.6 mm	(260)

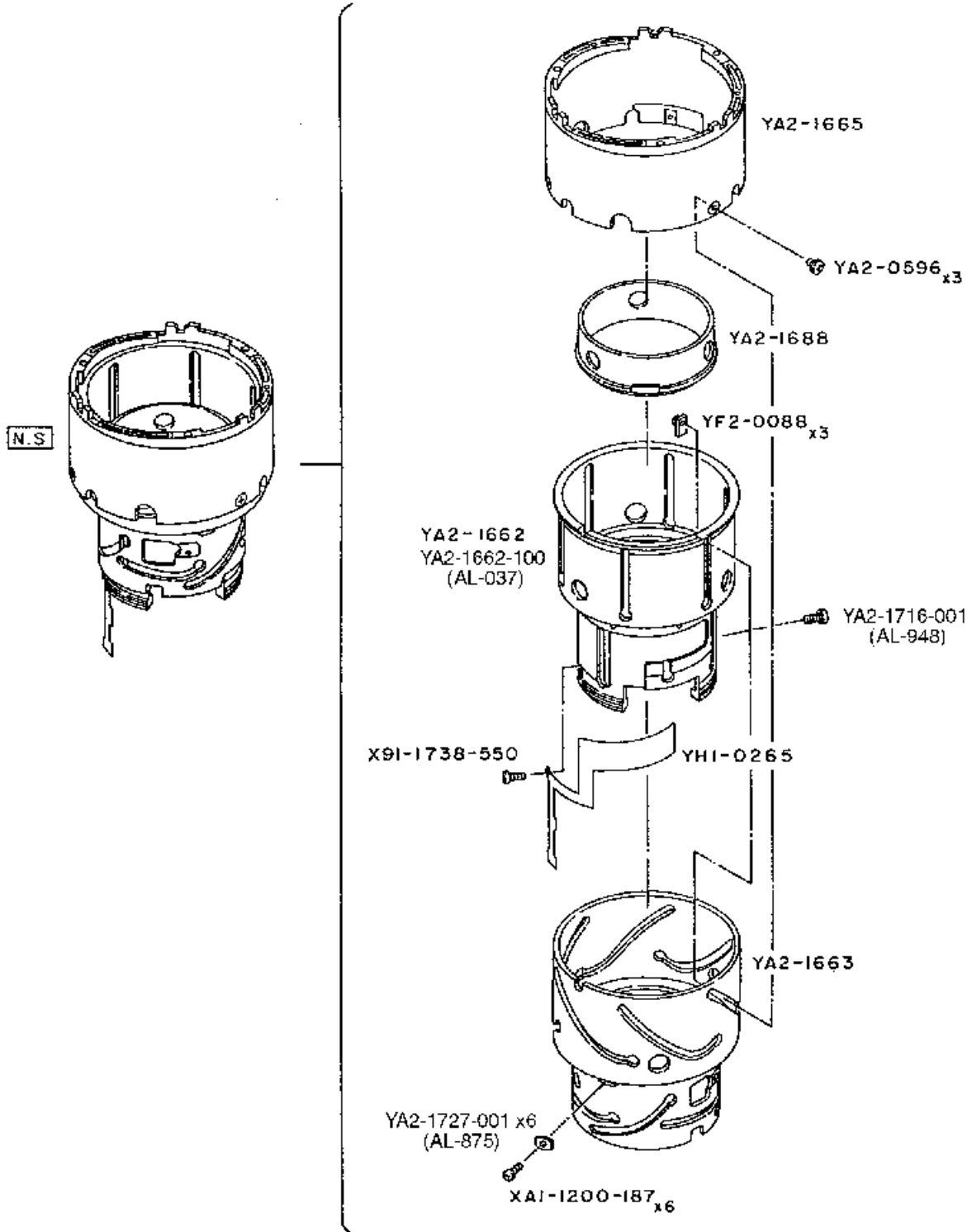
CANON LENS EF28-70 mm 1:2.8L USM



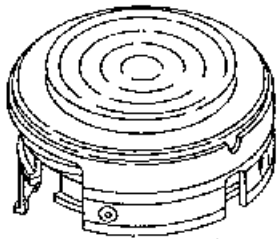
CANON LENS EF 28-70 mm 1:2.8L USM



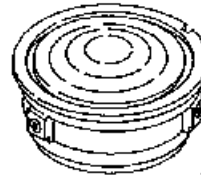
CANON LENS EF28-70 mm 1:2.8L USM



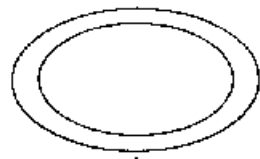
CANON LENS EF 28-70 mm 1:2.8L USM



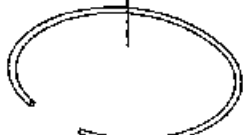
N.S.



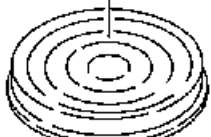
N.S.



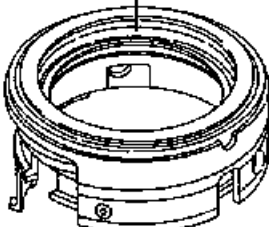
YA2-1722



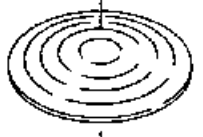
YA9-0036



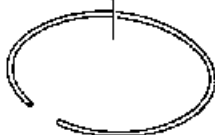
YN2-0762



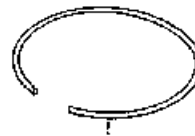
YG9-0313



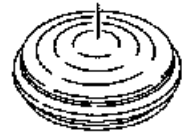
YN2-0763-010 (AL-092)



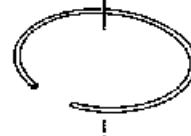
CA2-6810-000
(See detail)



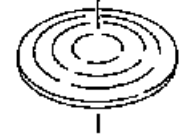
CA2-6605



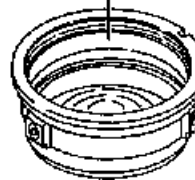
YP2-0766



CA2-6605



YN2-0767

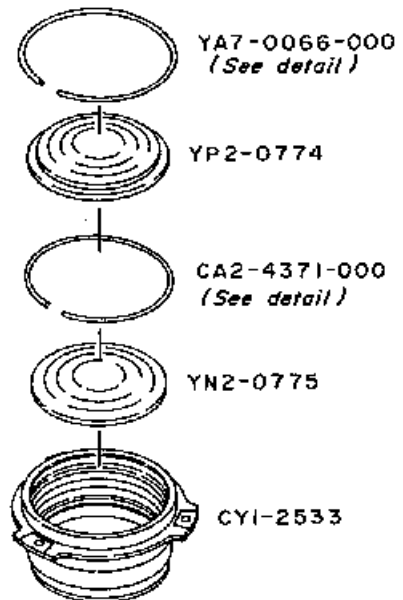
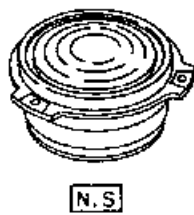
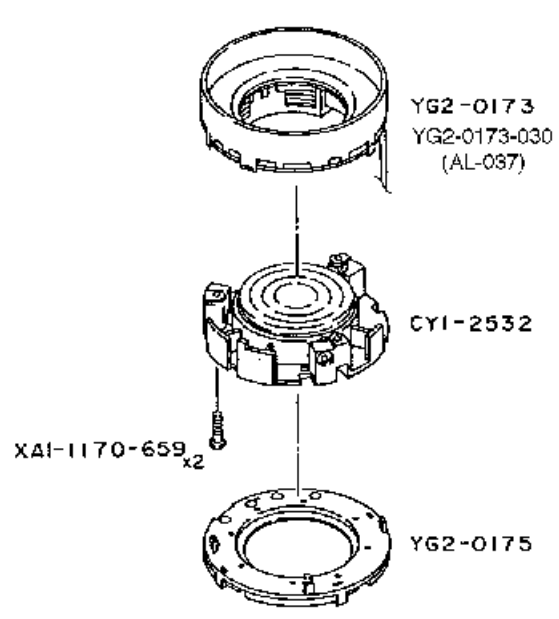
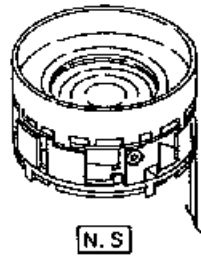


CY1-2535 (AL-846)

CA2-6810-000 detail

	A	SIZE
	φ0.70 mm	(070)
	φ0.80 mm	(080)
	φ0.90 mm	(090)

CANON LENS EF28-70 mm 1:2.8L USM



YA7-0066-000 detail

	A	SIZE
$\phi 0.80$ mm	(080)	

CA2-4371-000 detail

	A	SIZE
$\phi 0.70$ mm	(070)	
$\phi 0.80$ mm	(080)	

P A R T S L I S T

REF.No.C21-9742 EF28-70mm 1:2.8L

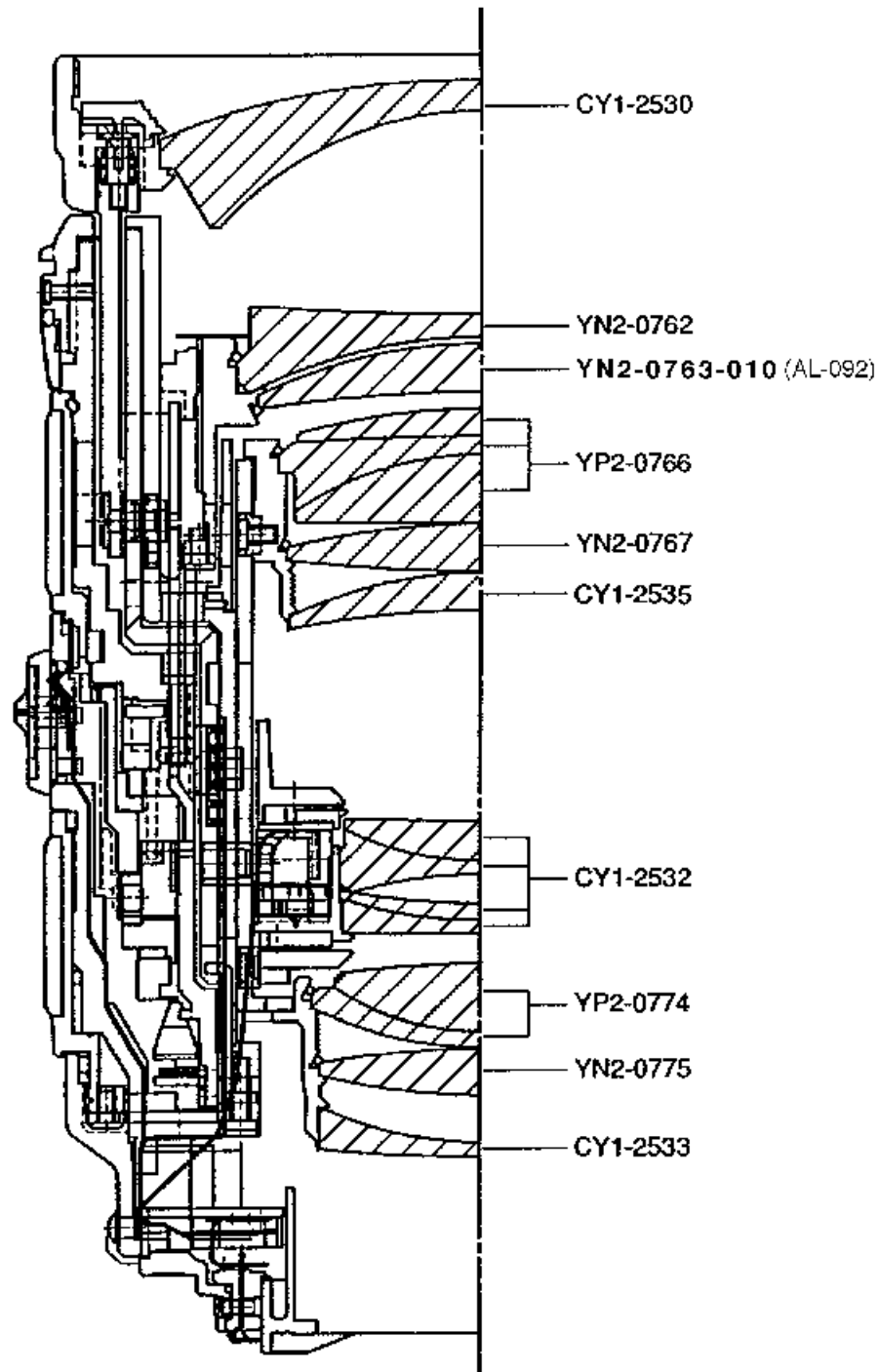
NEW	PARTS NO.	CLASS	QTY	DESCRIPTION	PAGE
	CA2-4371-000(XXX)	E	1	RING, SNAP	6
	CA2-4583-000	D	1	CONTACT ASS'Y	1
	CA2-4585-000	E	1	SCREW, MOUNT STOPPER	1
	CA2-4586-000	E	2	SCREW	1
	CA2-6605-000	E	2	RING, SNAP	5
	CA2-6651-000	E	1	SHIELD, DUST	2
	CA2-6810-000(XXX)	E	1	RING, SNAP	5
	CB2-0084-000	E	1	BRUSH, ZOOMING	2
	CH1-0632-000	E	1	FLEX ASS'Y CONNECTING	1
	CY1-2178-000(XXX)	E	1	WASHER, MOUNT	1
	CY1-2180-000(XXX)	E	1	MOUNT, LENS	1
	CY1-2530-000	D	1	FRONT LENS ASS'Y	1
	CY1-2532-000	D	1	4th GROUP LENS UNIT	6
	CY1-2533-000	D	1	CELL, G16 LENS	6
	CY1-2535-000	E	1	CELL, G8 LENS	5
	CY1-2753-000	D	1	BARREL, FIXED	2
	X91-1425-550	F	1	SCREW, CROSS-RECESS, PH	3
	X91-1738-550	F	1	SCREW, CROSS-RECESS, PH	4
	XA1-1170-227	F	3	SCREW, CROSS-RECESS, PH	3
	XA1-1170-309	F	2	SCREW, CROSS-RECESS, PH	1
	XA1-1170-659	F	2	SCREW, CROSS-RECESS, PH	6
	XA1-1200-187	F	6	SCREW, M2x1.8	4
	XA1-7170-167	F	1	SCREW, CROSS-RECESS, PH	2
	XA1-7170-259	F	3	SCREW, CROSS-RECESS, PH	3
	XA4-1170-459	F	3	SCREW, CROSS-RECESS, PH	2
	XA4-6170-307	F	3	SCREW, CROSS-RECESS, PH	3
	XA4-6170-409	F	6	SCREW, CROSS-RECESS, PH	2
	XA4-9170-507	F	3	SCREW, CROSS-RECESS, PH	1
	XA4-9200-606	F	4	SCREW, CROSS-RECESS, PH	1
	YA2-0050-000	D	1	RUBBER, FRICTION	3
	YA2-0596-000	F	3	SCREW, CROSS-RECESS, PH	4
	YA2-0898-000 (XXX)	D	3	COLLAR	2
	YA2-0908-000	D	1	RING, MANUAL FOCUS RUBBER	2
	YA2-1658-010	F	5	SCREW, CROSS-RECESS, PH	2
	YA2-1662-000	E	1	BARREL, GUIDE	4
	YA2-1662-100	E	1	BARREL, GUIDE	4
	YA2-1663-000	E	1	BARREL, ZOOMING CAM	4
	YA2-1665-000	E	1	BARREL, HELICOID	4
	YA2-1672-000	D	1	COVER, BACK	1
	YA2-1674-000	D	1	COVER, FIRTER RING	1

P A R T S L I S T

REF.No.C21-9742 EF28-70mm 1:2.8L

NEW	PARTS NO.	CLASS	QTY	DESCRIPTION	PAGE
	YA2-1675-000	D	1	RING, ZOOMING	1
	YA2-1676-000	E	1	KEY, ZOOMING	1
	YA2-1678-000	D	1	RING, ZOOM RUBBER	1
	YA2-1679-000	D	1	RING, MANUAL FOCUSING	2
	YA2-1685-000	E	1	SCALE, DEPTH OF FIELD	2
	YA2-1688-000	E	1	BARREL, LIGHT SHIELD	4
	YA2-1693-000	E	1	SCALE, FOCUSING	2
	YA2-1696-000	E	1	SHIELD, DUST	1
	YA2-1699-000	E	1	SHIELD, DUST	1
	YA2-1702-000	F	6	SCREW, CROSS-RECESS, PH	2
	YA2-1704-000	D	1	WASHER, DUST SHIELD	2
	YA2-1705-000	E	3	SPRING, COIL	1
	YA2-1706-000	F	3	SCREW, CROSS-RECESS, PH	1
	YA2-1716-001	F	1	SCREW, CROSS-RECESS, PH	4
	YA2-1717-000	D	1	RING, FRONT	1
	YA2-1719-000 (XXX)	C	6	COLLAR	2
	YA2-1720-000	D	1	COLLAR	3
	YA2-1721-000	E	1	BARREL, INTERMEDIATE Gp3/5	3
	YA2-1722-000	D	1	RING, BLIND	5
	YA2-1723-000	D	2	COLLAR, ECCENTRIC	3
	YA2-1724-000	F	1	SCREW, CROSS-RECESS, PH	1
	YA2-1726-000	D	1	COLLAR	3
	YA2-1727-001	E	6	PLATE, STOPPER	4
	YA7-0066-000 (XXX)	D	1	RING, SNAP	6
	YA9-0036-000	E	1	RING, SNAP	5
	YF2-0088-000	D	3	COLLAR	4
	YG2-0172-000	D	1	FOCUSING UNIT	2
	YG2-0173-000	D	1	POWER DIAPHRAGM UNIT	6
	YG2-0173-030	D	1	POWER DIAPHRAGM UNIT	6
	YG2-0174-000	D	1	MAIN PCB ASS'Y	1
	YG2-0175-000	E	1	DIAPHRAGM, FLARE	6
	YG9-0312-000	D	1	BARREL, FIXED	2
	YG9-0313-000	E	1	HELICOID UNIT	5
	YG9-0314-000	D	1	BARREL, FIXED	1
	YG9-0315-000	D	1	NAME RING ASS'Y	1
	YH1-0265-000	D	1	Z-FLX	4
	YN2-0762-000	D	1	LENS, G2	5
	YN2-0763-010	D	1	LENS, G3	5
	YN2-0767-000	D	1	LENS, G7	5
	YN2-0775-000	D	1	LENS, G15	6
	YP2-0766-000	D	1	LENS, G4/5/6	5
	YP2-0774-000	D	1	LENS, G13/14	6

CANON LENS EF 28-70mm 1:2.8L USM



ATTENTION: these documentations are published only for purpose of study and search, they are not published for purpose of profit, all the rights and relative copyrights are of the respective owners. **Free documentation not to sell.**