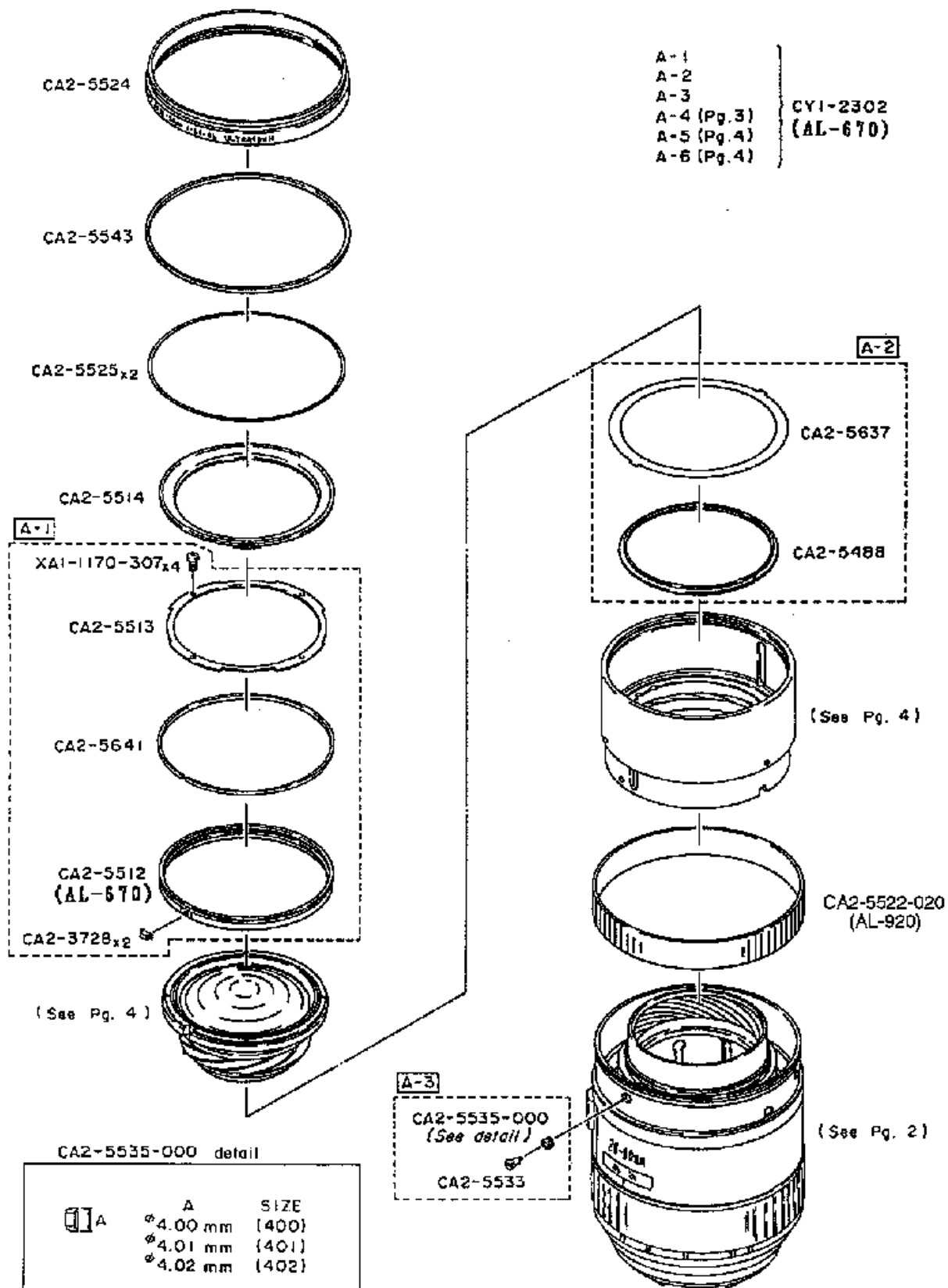


*EF 28-80mm1:2.8-4.0L USM
REF.NO.C21-9482*

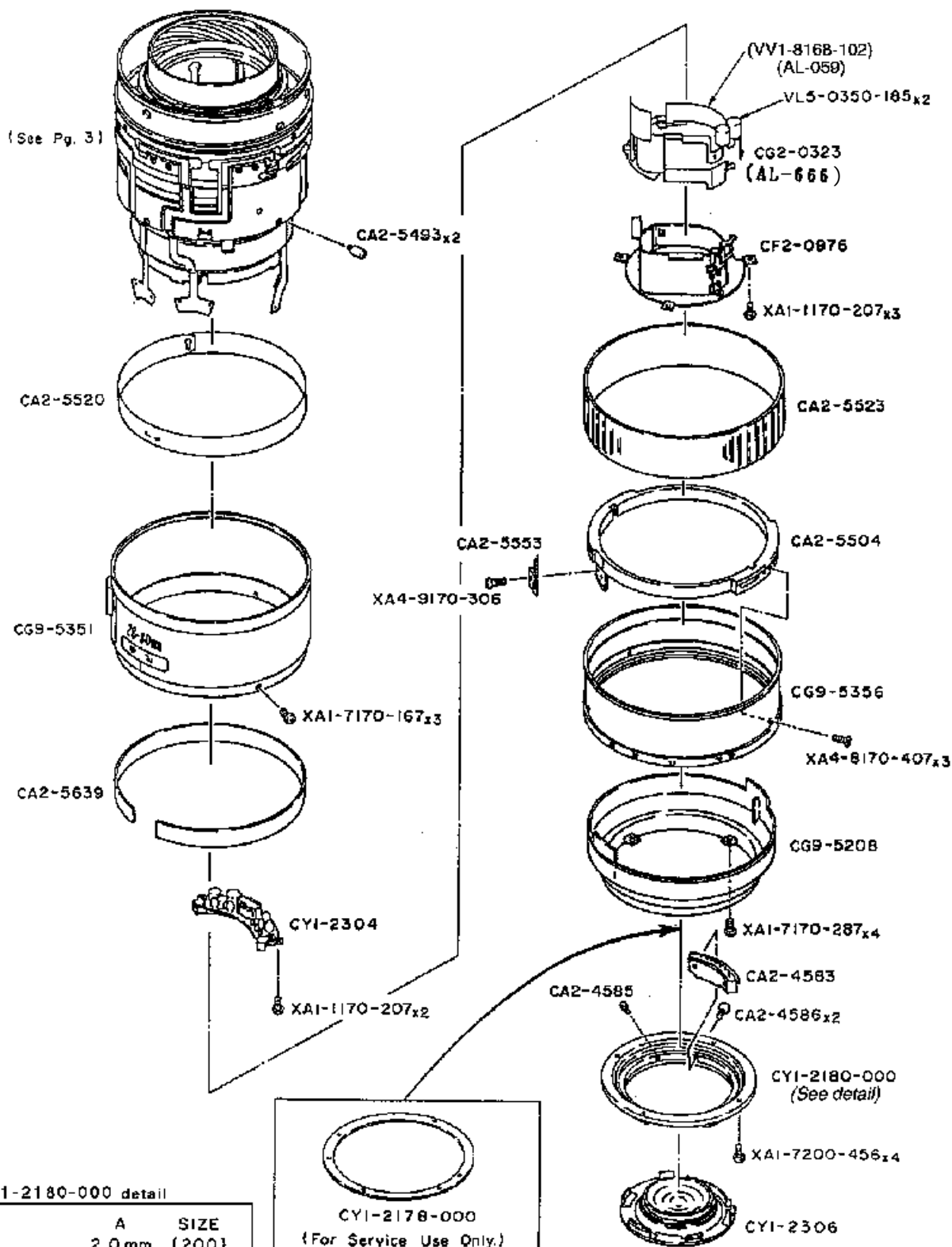
PARTS CATALOG

ATTENTION: these documentations are published only for purpose of study and search, they are not published for purpose of profit, all the rights and relative copyrights are of the respective owners. **Free documentation not to sell.**

CANON LENS EF 28-80mm 1:2.8-4.0L USM

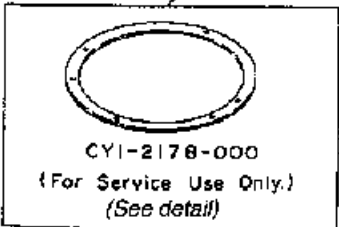


CANON LENS EF 28-80mm 1:2.8-4.0L USM



CYI-2180-000 detail

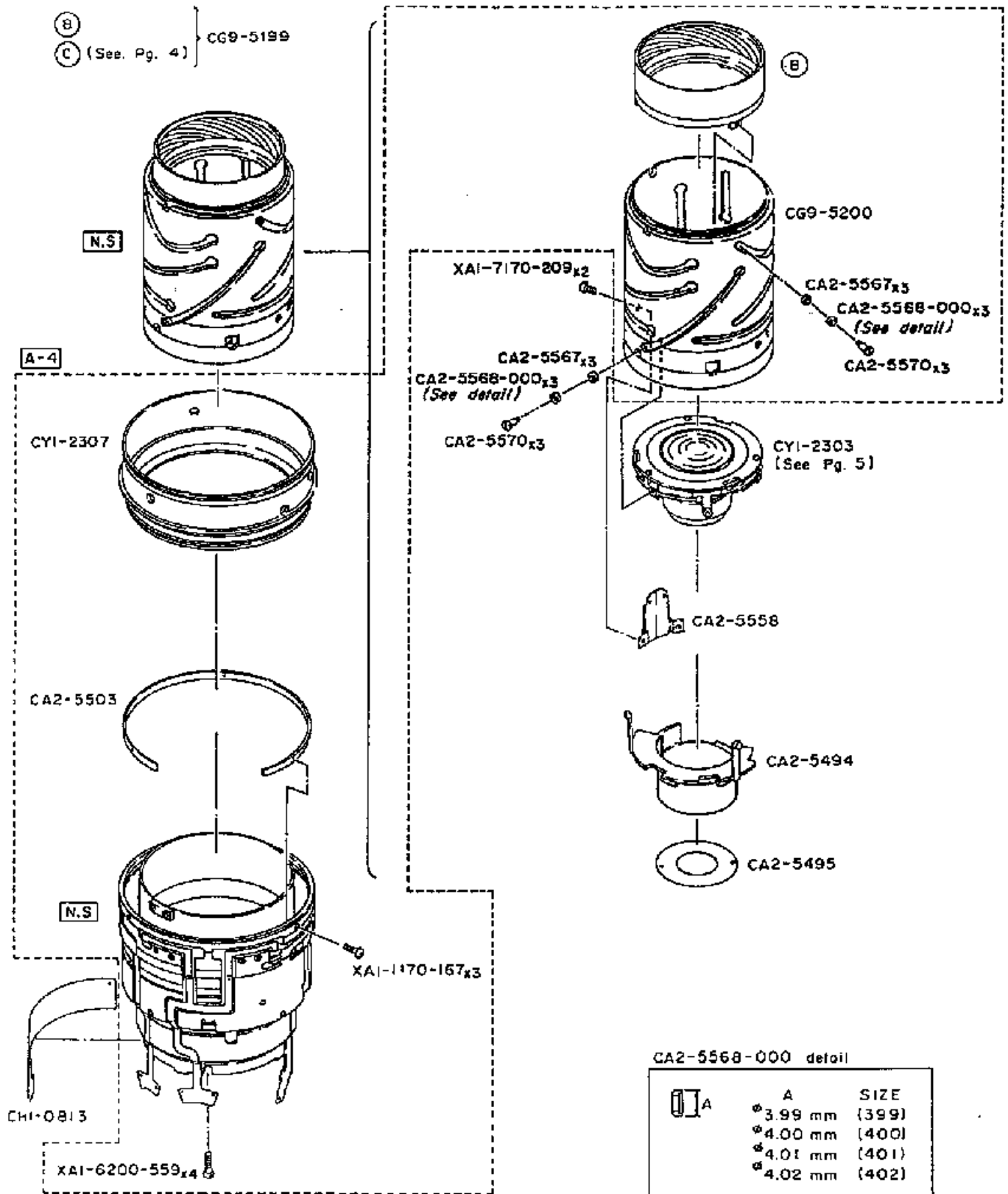
A	SIZE
2.0 mm	{200}
2.1 mm	{210}
2.2 mm	{220}
2.3 mm	{230}
2.4 mm	{240}
2.5 mm	{250}
2.6 mm	{260}
2.7 mm	{270}



CYI-2178-000 detail

Service Use Only.		
A	SIZE	
0.02 mm	{002}	
0.05 mm	{005}	

CANON LENS EF 28-80mm 1:2.8-4.0L USM



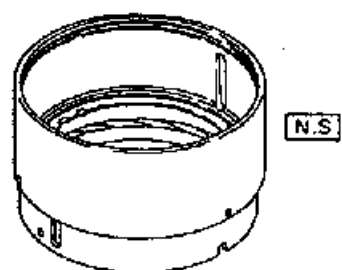
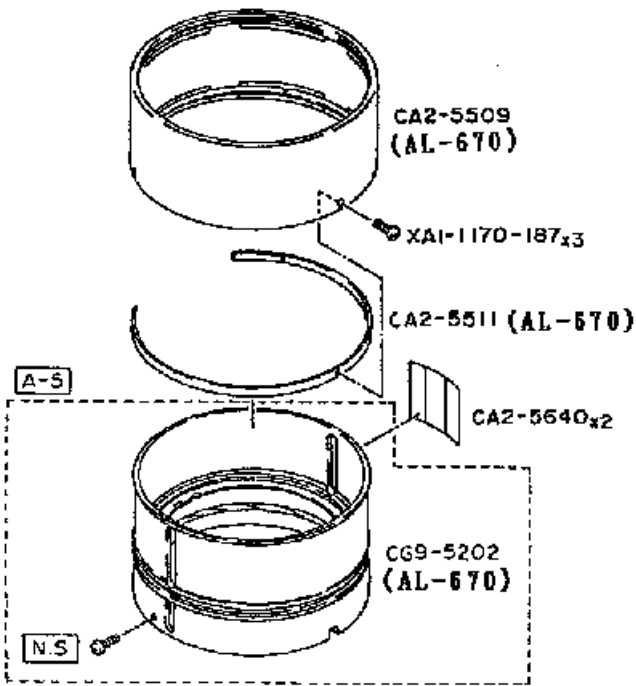
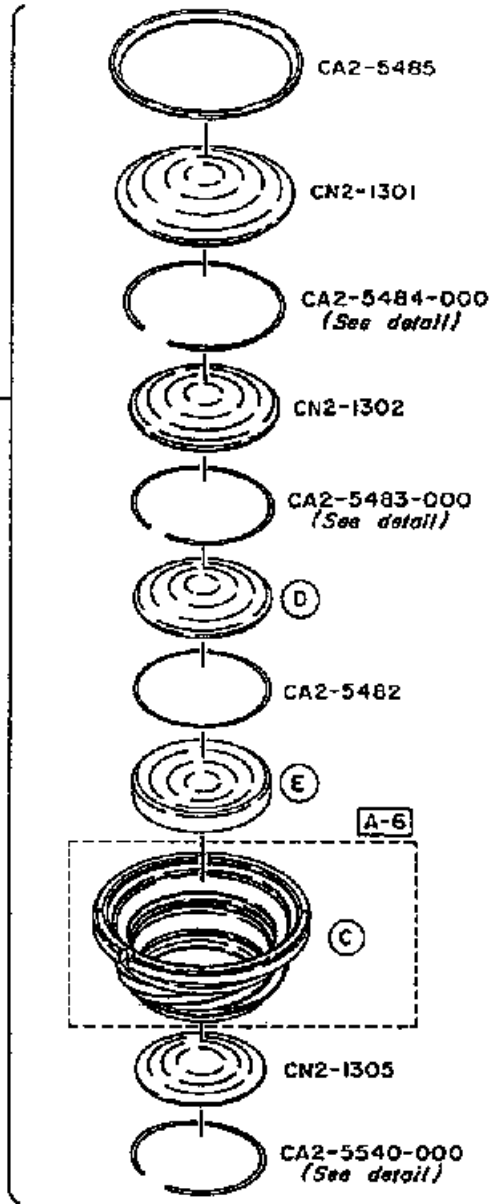
CANON LENS EF 28-80mm 1:2.8-4.0L USM

- (B) (See Pg. 3) } CG9-5199
- (C) }
- (D) } CP2-1304
- (E) }



CA2-5483-000
 CA2-5484-000
 CA2-5540-000 detail

A	SIZE
φ0.7 mm	(070)
φ0.8 mm	(080)
φ0.9 mm	(090)



PARTS LIST

REF.NO.C21-9482

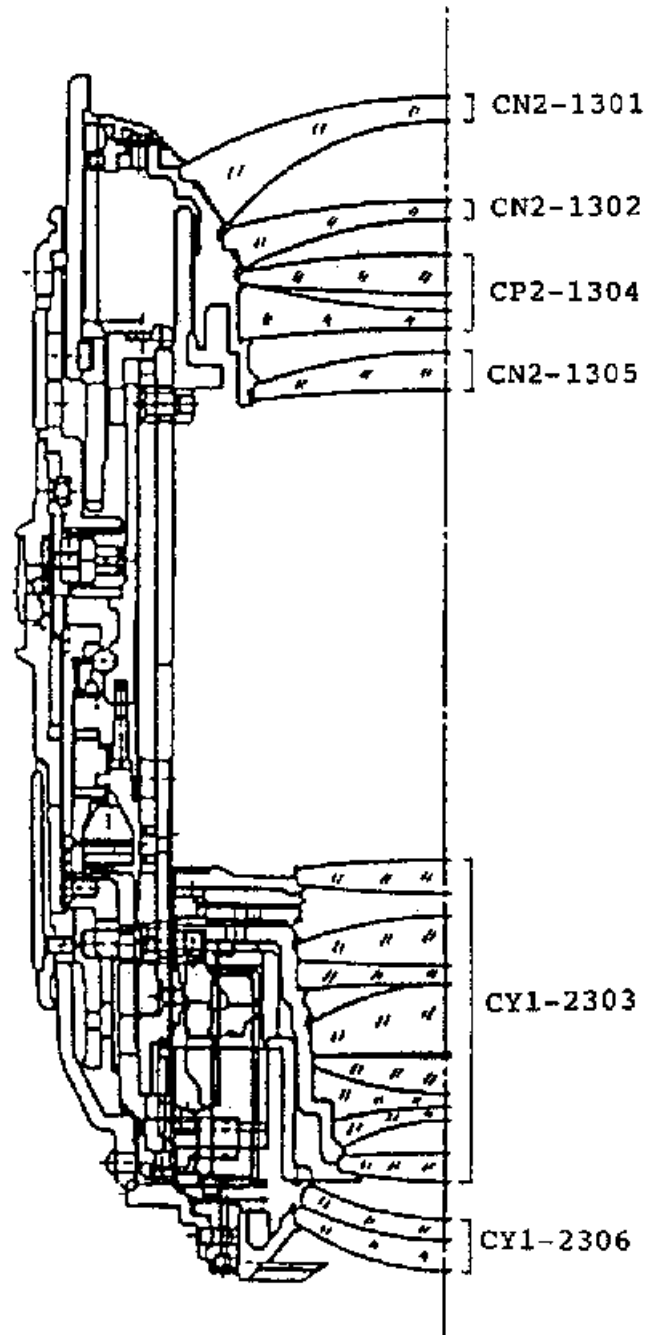
NEW	PARTS NO.	CLASS	QTY	DESCRIPTION	PAGE
	CA2-3728-000	D	2	CAP, RUBBER	1
	CA2-4583-000	D	1	CONTACT ASS'Y	2
	CA2-4585-000	E	1	SCREW, MOUNT STOPPER	2
	CA2-4586-000	E	2	SCREW	2
	CA2-5482-000	E	1	WASHER, LENS G3/4	4
	CA2-5483-000 (070)	E	1	RING, SNAP	4
	CA2-5483-000 (080)	E	1	RING, SNAP	4
	CA2-5483-000 (090)	E	1	RING, SNAP	4
	CA2-5484-000 (070)	E	1	RING, SNAP	4
	CA2-5484-000 (080)	E	1	RING, SNAP	4
	CA2-5484-000 (090)	E	1	RING, SNAP	4
	CA2-5485-000	E	1	COLLAR, ASSEMBLY	4
	CA2-5488-000	E	1	COLLAR, ASSEMBLY	1
	CA2-5493-000	E	2	PIN, GUIDE	2
	CA2-5494-000	E	1	STOPPER, FLARE	3
	CA2-5495-000	D	1	WASHER	3
	CA2-5503-000	E	1	COLLAR, COUPLING	3
	CA2-5504-000	E	1	RING, ZOOMING	2
	CA2-5509-000	D	1	SLEEVE, FILTER	4
	CA2-5511-000	E	1	COLLAR, COUPLING	4
	CA2-5512-000	E	1	RING, FOCUS ADJ.	1
	CA2-5513-000	E	1	COLLAR, ASSEMBLY	1
	CA2-5514-000	D	1	RING, FRONT	1
	CA2-5520-000	C	1	SCALE, FOCUSING	2
	CA2-5522-020	C	1	RING, RUBBER	1
	CA2-5523-000	C	1	RING, RUBBER	2
	CA2-5524-000	D	1	RING, NAME	1
	CA2-5525-000	D	2	WASHER, DUST SHIELD	1
	CA2-5533-000	E	1	STUD	1
	CA2-5535-000 (400)	E	1	COLLAR	1
	CA2-5535-000 (401)	E	1	COLLAR	1
	CA2-5535-000 (402)	E	1	COLLAR	1
	CA2-5540-000 (070)	E	1	RING, SNAP	4
	CA2-5540-000 (080)	E	1	RING, SNAP	4
	CA2-5540-000 (090)	E	1	RING, SNAP	4
	CA2-5543-000	D	1	RING, FRONT	1
	CA2-5553-000	D	1	CONTACT, ZOOMING	2
	CA2-5558-000	E	1	HOLDER, U-FLEX	3
	CA2-5567-000	E	6	COLLAR, RUBBER	3
	CA2-5568-000 (399)	E	6	COLLAR	3
	CA2-5568-000 (400)	E	6	COLLAR	3
	CA2-5568-000 (401)	E	6	COLLAR	3
	CA2-5568-000 (402)	E	6	COLLAR	3
	CA2-5570-000	E	6	STUD	3
	CA2-5637-000	E	1	WASHER	1
	CA2-5639-000	E	1	SHIELD, DUST	2
	CA2-5640-000	E	2	SHIELD, DUST	4
	CA2-5641-000	E	1	SHIELD, DUST	1
	CF2-0976-000	E	1	HOLDER, MAIN FLEX CBA	2
	CG2-0321-000	D	1	POWER DIAPHRAGM UNIT	5

PARTS LIST

REF.NO.C21-9482

NEW	PARTS NO.	CLASS	QTY	DESCRIPTION	PAGE
	CG2-0323-000	D	1	MAIN FLEX CBA	2
	CG9-5199-000	E	1	BARREL, FRONT	3,4
	CG9-5200-000	E	1	ZOOMING UNIT	3
	CG9-5202-000	D	1	FOCUSING UNIT-1	4
	CG9-5208-000	D	1	BARREL, FIXED	2
	CG9-5351-000	D	1	SLEEVE, WINDOW	2
	CG9-5356-000	D	1	RING, ZOOMING	2
	CH1-0813-000	E	1	FLEX, ZOOMING	3
	CN2-1301-000	D	1	LENS, G1	4
	CN2-1302-000	E	1	LENS, G2	4
	CN2-1305-000	E	1	LENS, G5	4
	CP2-1304-000	E	1	LENS, G3&4	4
	CY1-2178-000 (002)	E	1	WASHER, MOUNT	2
	CY1-2178-000 (005)	E	1	WASHER, MOUNT	2
	CY1-2180-000 (200)	C	1	MOUNT, LENS	2
	CY1-2180-000 (210)	C	1	MOUNT, LENS	2
	CY1-2180-000 (220)	C	1	MOUNT, LENS	2
	CY1-2180-000 (230)	C	1	MOUNT, LENS	2
	CY1-2180-000 (240)	C	1	MOUNT, LENS	2
	CY1-2180-000 (250)	C	1	MOUNT, LENS	2
	CY1-2180-000 (260)	C	1	MOUNT, LENS	2
	CY1-2180-000 (270)	C	1	MOUNT, LENS	2
	CY1-2302-000	E	1	FOCUSING UNIT-2	1
	CY1-2303-000	E	1	LENS/DIAPHRAGM UNIT	3,5
	CY1-2304-000	E	1	CONVERTER, DC/DC	2
	CY1-2306-000	E	1	LENS/BACK COVER	2
	CY1-2307-000	E	1	RING, FOCUSING	3
	VL5-0350-185	E	2	COIL	2
	VV1-8168-102	E	1	RESISTOR, 1KW 1/16W	2
	XA1-1170-167	F	3	SCREW CROSS-RECESS, PH	3
	XA1-1170-187	F	3	SCREW CROSS-RECESS, PH	4
	XA1-1170-207	F	5	SCREW CROSS-RECESS, PH	2
	XA1-1170-307	F	4	SCREW CROSS-RECESS, PH	1
	XA1-6200-559	F	4	SCREW CROSS-RECESS, PH	3
	XA1-7170-167	F	3	SCREW CROSS-RECESS, PH	2
	XA1-7170-209	F	2	SCREW CROSS-RECESS, PH	3
	XA1-7170-287	F	4	SCREW CROSS-RECESS, PH	2
	XA1-7200-456	F	4	SCREW CROSS-RECESS, PH	2
	XA4-8170-407	F	3	SCREW CROSS-RECESS, FCH	2
	XA4-9170-306	F	1	SCREW CROSS-RECESS, PH	2

CANON LENS EF 28-80mm 1:2.8-4.0L U S M



ATTENTION: these documentations are published only for purpose of study and search, they are not published for purpose of profit, all the rights and relative copyrights are of the respective owners. Free documentation not to sell.