

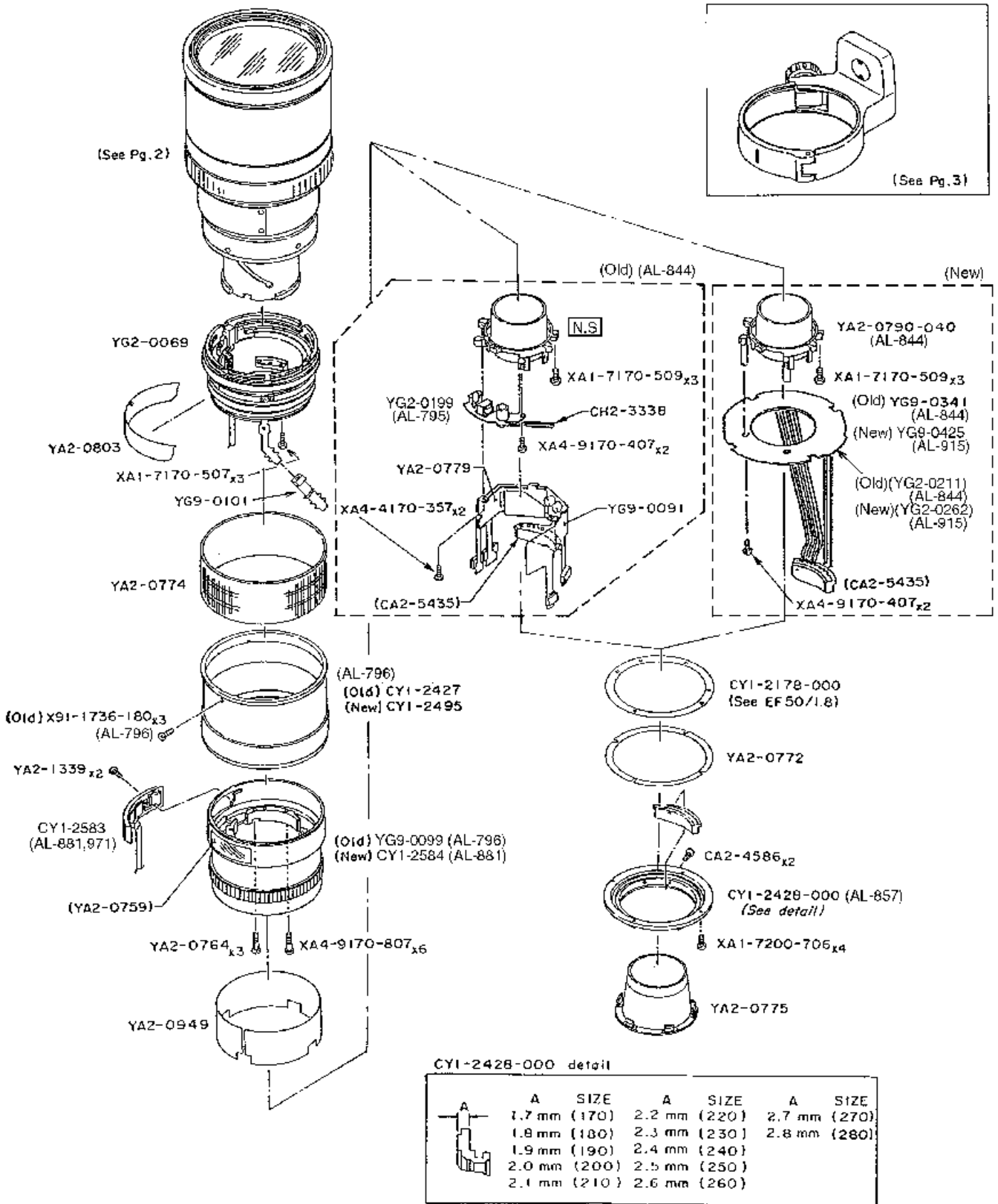
EF 300mm 1:4.0 L
REF.NO. C21-8342

PARTS

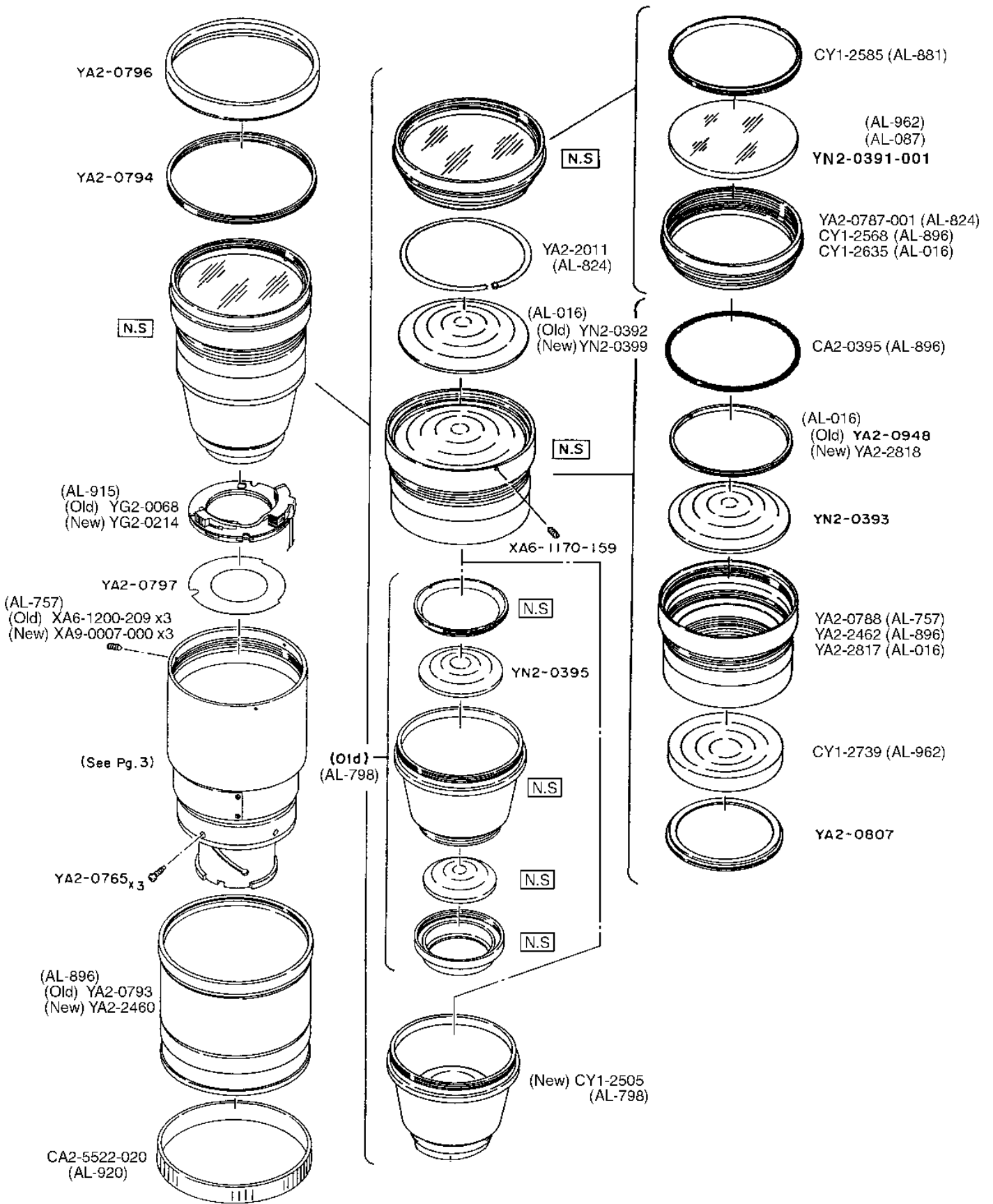
CATALOG

ATTENTION: these documentations are published only for purpose of study and search, they are not published for purpose of profit, all the rights and relative copyrights are of the respective owners. **Free documentation not to sell.**

CANON LENS EF 300 mm 1:4.0L



CANON LENS EF 300 mm 1:4.0L



P A R T S L I S T

REF.No.C21-8342 EF300mm 1:4.0L

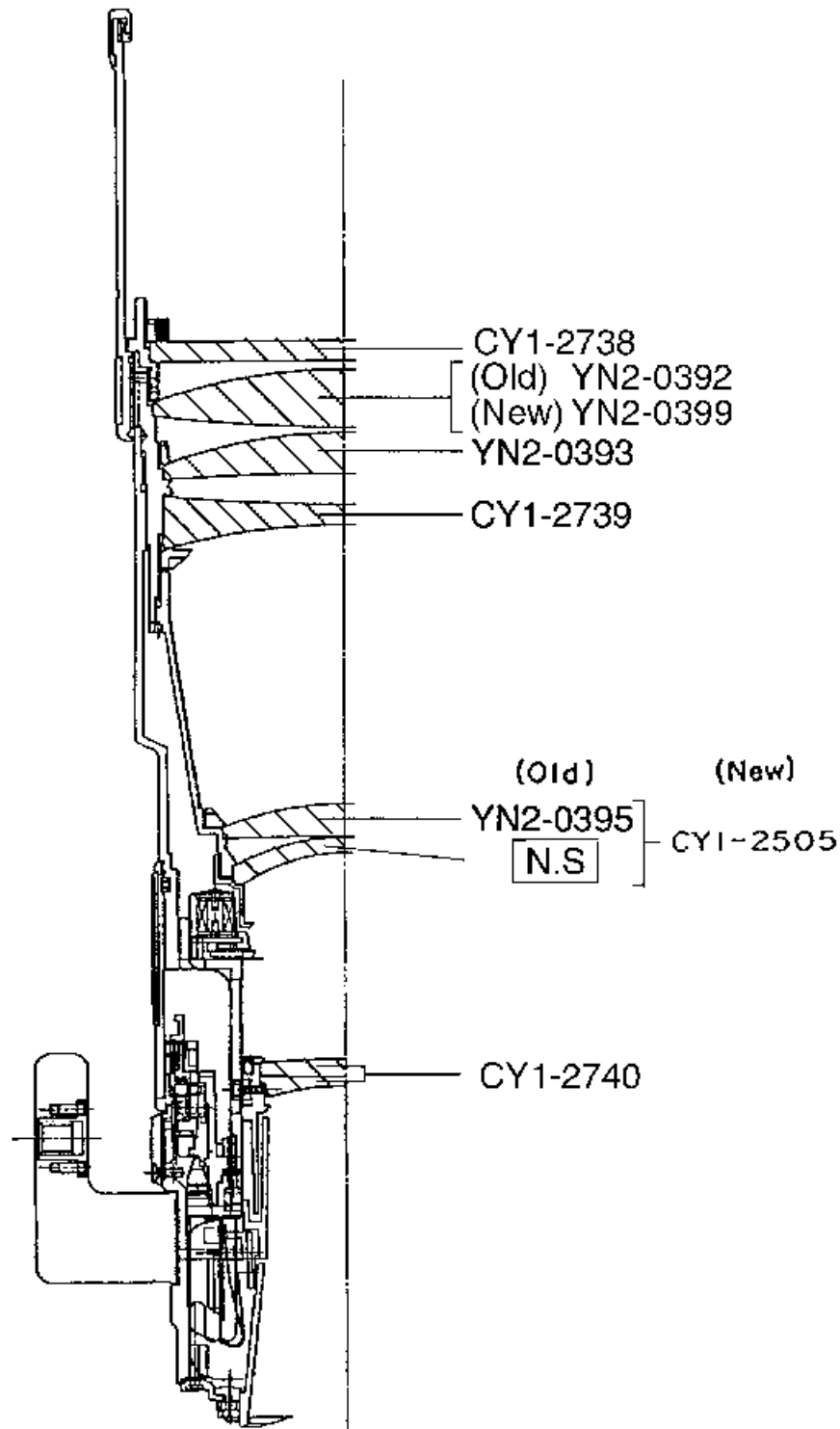
NEW	PARTS NO.	CLASS	QTY	DESCRIPTION	PAGE
	C54-7021-000	D	1	TRIPOD SOCKET UNIT	3
	C54-7022-000	D	1	TRIPOD SOCKET UNIT (New)	3
	CA2-0395-000	D	1	STOPPER, HOOD	2
	CA2-1398-000	E	1	SHEET, FRICTION (L)	3
	CA2-1399-000	E	1	SHEET, FRICTION (S)	3
	CA2-4586-000	E	2	SCREW	1
	CA2-5435-000	D	1	CONTACT ASS'Y	1
	CA2-5522-020	C	1	RING, RUBBER	2
	CH2-3338-000	E	1	CABLE, FLAT	1
	CY1-2178-000(XXX)	E	1	WASHER, MOUNT	1
	CY1-2427-000	E	1	FOCUSING RING ASS'Y	1
	CY1-2428-000(XXX)	C	1	MOUNT, LENS	1
	CY1-2495-000	E	1	FOCUSING RING ASS'Y	1
	CY1-2505-000	E	1	BARREL, LENS G5, 6	2
	CY1-2568-000	E	1	BARREL, LENS	2
	CY1-2583-000	D	1	A / M SWITCH ASS'Y	1
	CY1-2584-000	D	1	BARREL, FIXED	1
	CY1-2585-000	E	1	COLLAR, ASSEMBLY	2
	CY1-2586-000	E	1	COLLAR, ASSEMBLY	3
	CY1-2635-000	E	1	BARREL, LENS	2
	CY1-2739-000	E	1	LENS, G4	2
	X91-1736-180		3	SCREW, CROSS-RECESS, PH	1
	XA1-1140-357		3	SCREW	3
	XA1-4170-306		4	SCREW, CROSS-RECESS, PH	3
	XA1-7170-507		3	SCREW, CROSS-RECESS, PH	1
	XA1-7170-509		3	SCREW, CROSS-RECESS, PH	1
	XA1-7200-706		4	SCREW, CROSS-RECESS, PH	1
	XA4-4170-357		2	SCREW, CROSS-RECESS, PH	1
	XA4-9170-407		2	SCREW, CROSS-RECESS, PH	1
	XA4-9170-807		6	SCREW	1
	XA6-1170-159		1	SCREW, CROSS-RECESS, PH	2
	XA6-1200-209		3	SETSCREW, SLOTTED, HLCP	2
	XA9-0007-000		3	SETSCREW, HEX SOCKET, HLFP	2
	CY1-2740-000	E	1	LENS, G7/8	3
	YA2-0697-000(XXX)	E	2	COLLAR, FOCUSING	3
	YA2-0759-000	E	1	SCALE, DEPTH OF FIELD	1
	YA2-0764-000	E	3	SCREW, SHAFT	1
	YA2-0765-000	E	3	SCREW	2
	YA2-0766-000(XXX)	E	1	COLLAR, FOCUSING	3
	YA2-0772-000	E	1	WASHER, MOUNT	1

PARTS LIST

REF.No.C21-8342 EF300mm 1:4.0L

NEW	PARTS NO.	CLASS	QTY	DESCRIPTION	PAGE
	YA2-0773-000	E	1	RING, COUPLING	3
	YA2-0774-000	D	1	RING, RUBBER	1
	YA2-0775-000	D	1	COVER, BACK	1
	YA2-0779-000	E	1	HOLDER, MAIN CBA	1
	YA2-0786-000	E	1	BARREL, CAM	3
	YA2-0786-070	E	1	BARREL, CAM	3
	YA2-0787-001	E	1	BARREL, LENS G1	2
	YA2-0788-000	E	1	BARREL, LENS	2
	YA2-0790-040	E	1	BARREL, LIGHT SHIELD	1
	YA2-0793-000	E	1	HOOD, LENS	2
	YA2-0794-000	E	1	COLLAR, ASSEMBLY	2
	YA2-0795-000	E	1	PLATE, NAME	3
	YA2-0796-000	E	1	RING, RUBBER	2
	YA2-0797-000	E	1	STOPPER, FLARE	2
	YA2-0798-000	E	1	BARREL, LENS	3
	YA2-0803-000	E	1	SCALE, FOCUSING	1
	YA2-0807-000	E	1	COLLAR, ASSEMBLY	2
	YA2-0948-000	E	1	COLLAR, ASSEMBLY	2
	YA2-0949-000	E	1	SHEET, INSULATING	1
	YA2-1271-000	E	1	KNOB	3
	YA2-1274-000	E	1	COVER	3
	YA2-1339-000		2	SCREW, CROSS-RECESS, PH	1
	YA2-2011-000	E	1	TUBE SILICON	2
	YA2-2460-000	E	1	HOOD, LENS	2
	YA2-2462-000	E	1	BARREL, LENS	2
	YA2-2817-000	E	1	BARREL, LENS	2
	YA2-2818-000	E	1	COLLAR, ASSEMBLY	2
	YG2-0068-000	D	1	POWER DIAPHRAGM UNIT	2
	YG2-0069-000	D	1	FOCUSING UNIT	1
	YG2-0199-000	D	1	CONVERTER, DC/DC	1
	YG2-0211-000	D	1	MAIN CBA	1
	YG2-0214-000	D	1	POWER DIAPHRAGM UNIT	2
	YG2-0262-000	D	1	MAIN CBA	1
	YG9-0091-000	D	1	MAIN CBA ASS'Y	1
	YG9-0099-000	D	1	BARREL, FIXED	1
	YG9-0101-000	E	1	FLEX, CONNECTING	1
	YG9-0341-000	D	1	MAIN CBA UNIT	1
	YG9-0425-000	D	1	MAIN CBA UNIT	1
	YN2-0391-001	D	1	LENS, G1	2
	YN2-0392-000	E	1	LENS, G2	2
	YN2-0393-000	E	1	LENS, G3	2
	YN2-0395-000	E	1	LENS, G5	2
	YN2-0399-000	E	1	LENS, G2	2

CANON LENS EF300mm 1:4.0L



ATTENTION: these documentations are published only for purpose of study and search, they are not published for purpose of profit, all the rights and relative copyrights are of the respective owners. **Free documentation not to sell.**