

EF 500mm 1:4.5L USM
REF.NO.C21-8352

CANON LENS HOOD

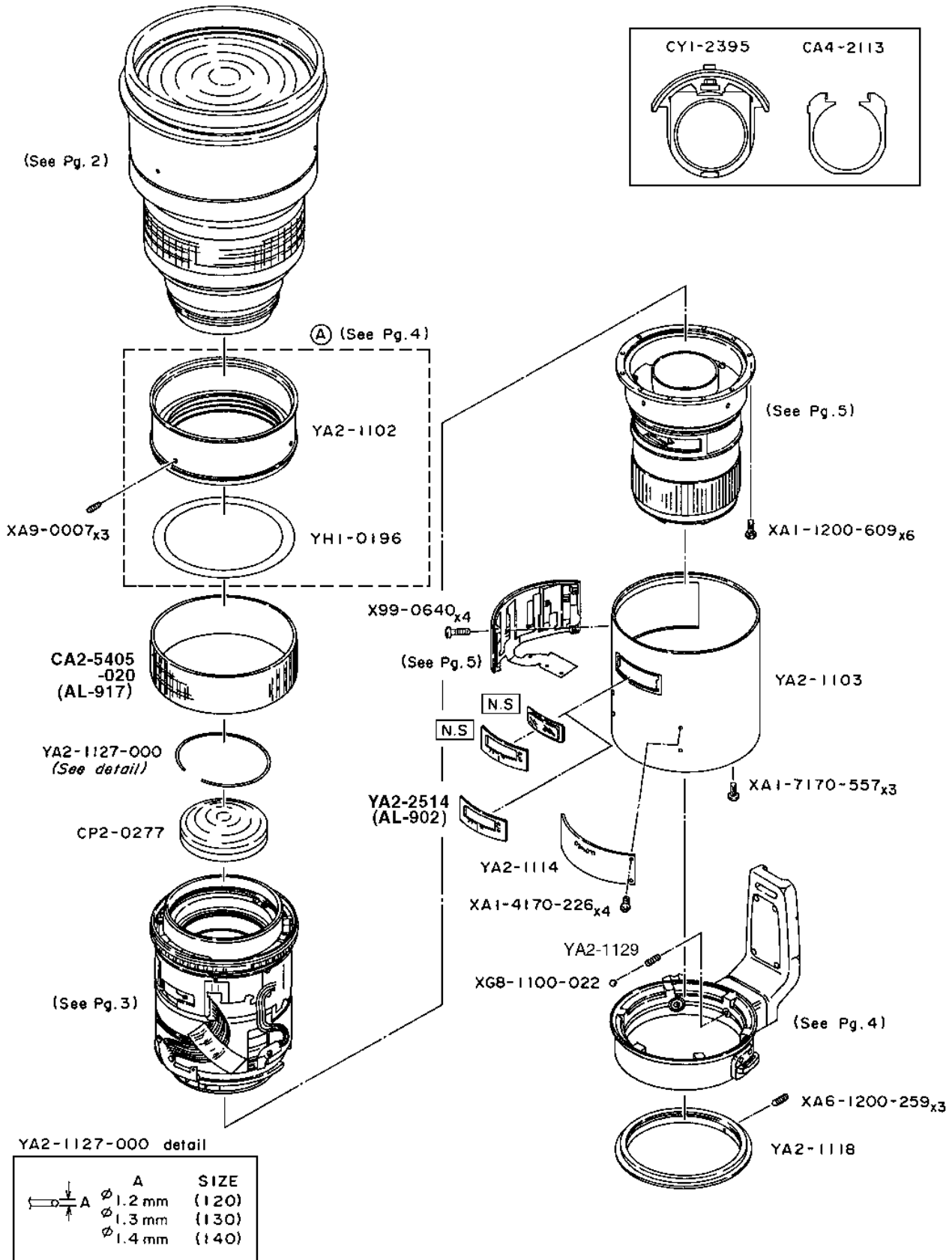
| | | |
|----------|--------------------|----------|
| ET-123B | FOR EF500mm 1:4.5L | C44-8161 |
| ET-123BI | FOR EF500mm 1:4.5L | C44-8162 |

PARTS CATALOG

ATTENTION: these documentations are published only for purpose of study and search, they are not published for purpose of profit, all the rights and relative copyrights are of the respective owners. **Free documentation not to sell.**

CANON LENS EF 500 mm 1:4.5 L USM

REF.NO. C21-8352



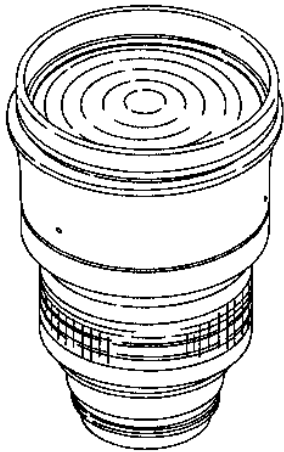
ATTENTION: these documentations are published only for purpose of study and search, they are not published for purpose of profit, all the rights and relative copyrights are of the respective owners. **Free documentation not to sell.**

CANON LENS EF 500 mm 1:4.5 L USM

REF.NO. C21-8352

CA2-1410-000 detail

| | A | SIZE |
|--|----------|-------|
| | ∅ 1.0 mm | (100) |
| | ∅ 1.2 mm | (120) |

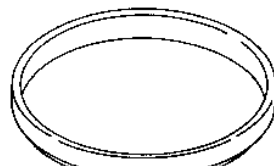


N.S

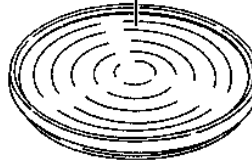
XA6-1200-509_{x3}

CA2-2987-000 detail

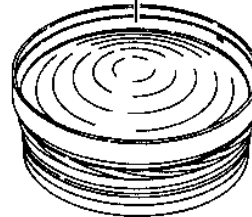
| | A | SIZE |
|--|----------|-------|
| | ∅ 0.8 mm | (080) |
| | ∅ 0.9 mm | (090) |
| | ∅ 1.0 mm | (100) |
| | ∅ 1.2 mm | (120) |



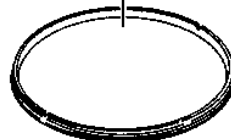
CA2-6230



N.S



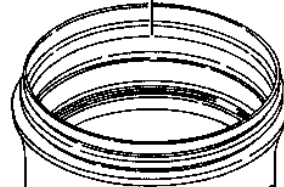
N.S



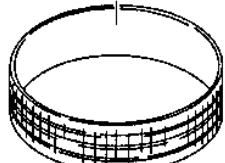
CA2-2986



(Old) CN2-0274
(New) YN2-0730
(AL-039)



(Old) YA2-1104-001
(AL-916)
(New) YA2-3112
(AL-039)



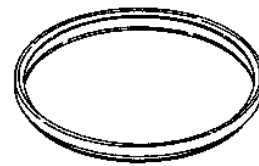
YA2-1105-050
(AL-917)



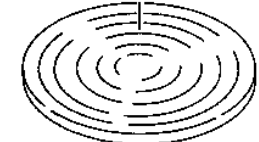
CN2-0275



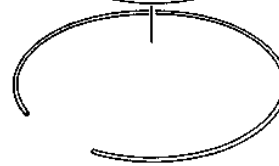
CA2-2987-000
(See detail)



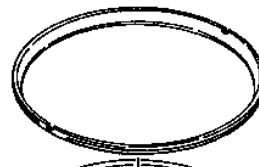
(Old) CY1-2647
(AL-934)
(New) CY1-2787
(AL-025)



(Old) CN2-0271
(New) YN2-0650
(AL-025)



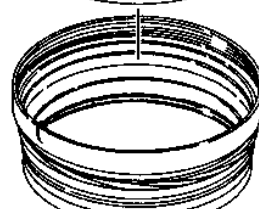
CA2-1410-000
(See detail)



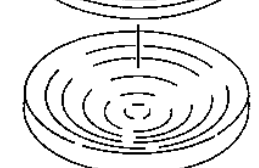
CA2-2984



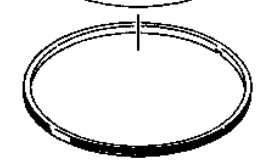
(Old) CN2-0272
(New) YN2-0728
(AL-039)



(Old) CA2-2981-040
(AL-760)
(New) YA2-3111
(AL-039)



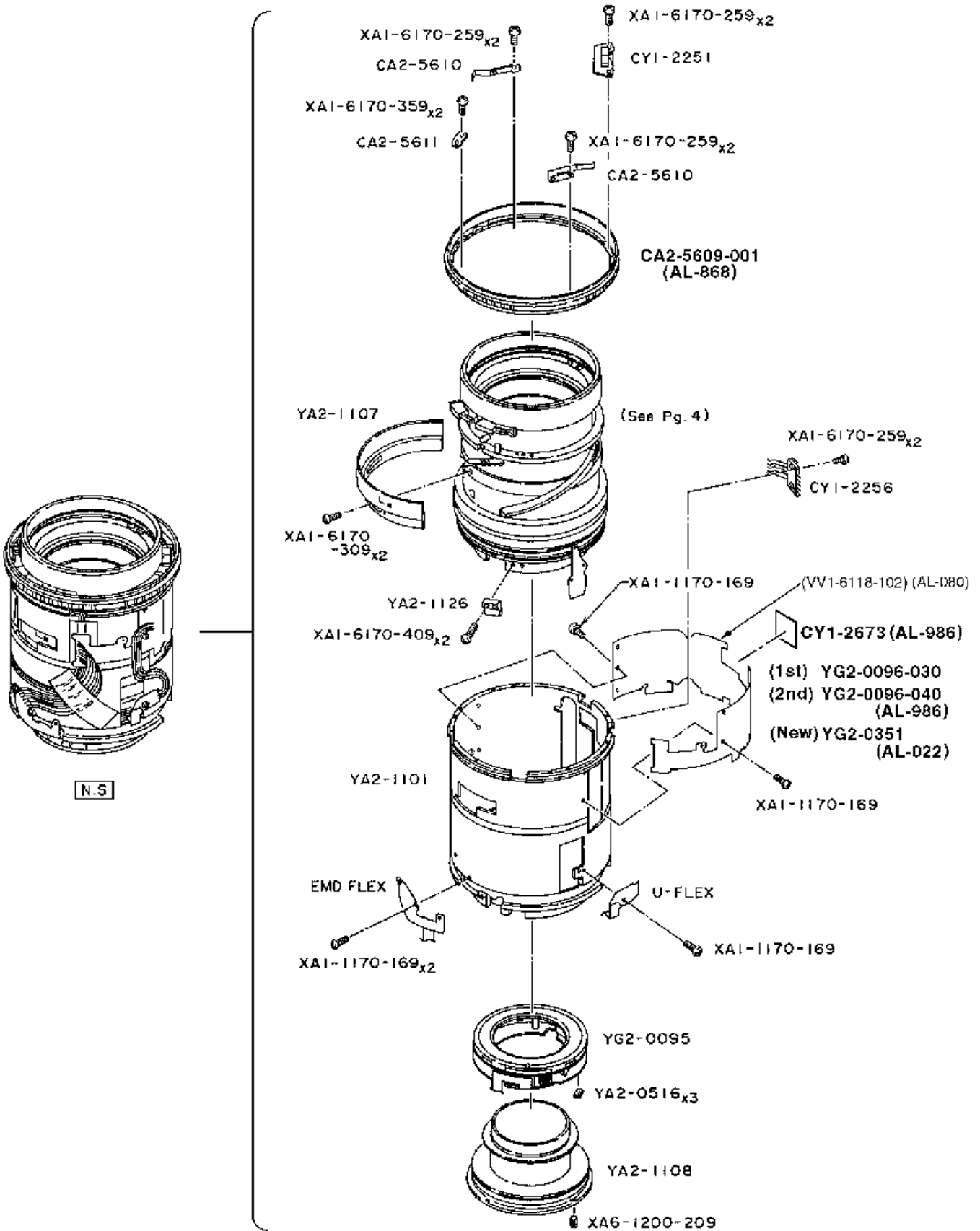
CY1-2602 (AL-886)



CA2-2985

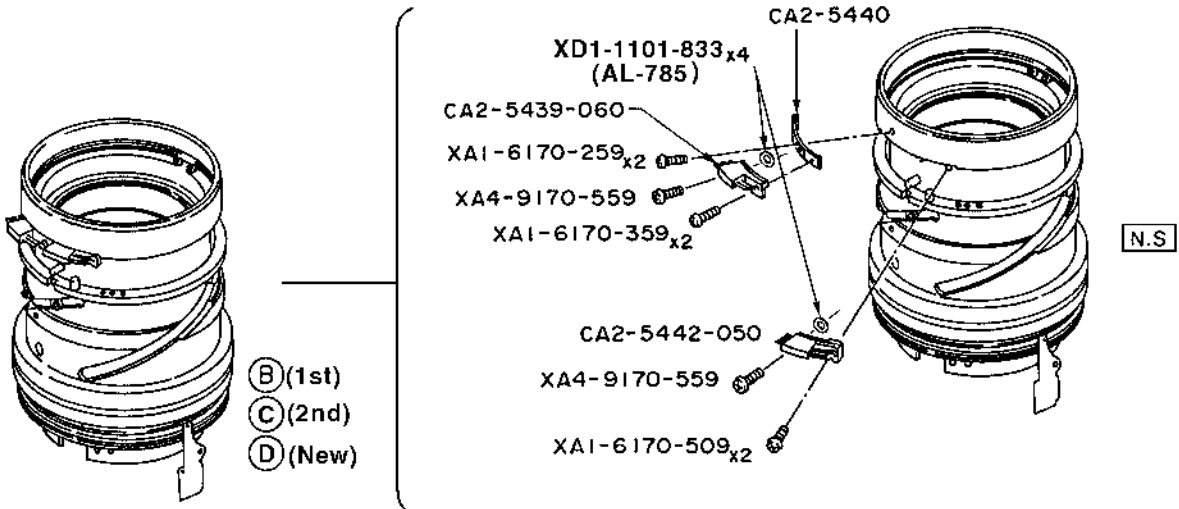
CANON LENS EF 500 mm 1:4.5 L USM

REF.NO. C21-8352

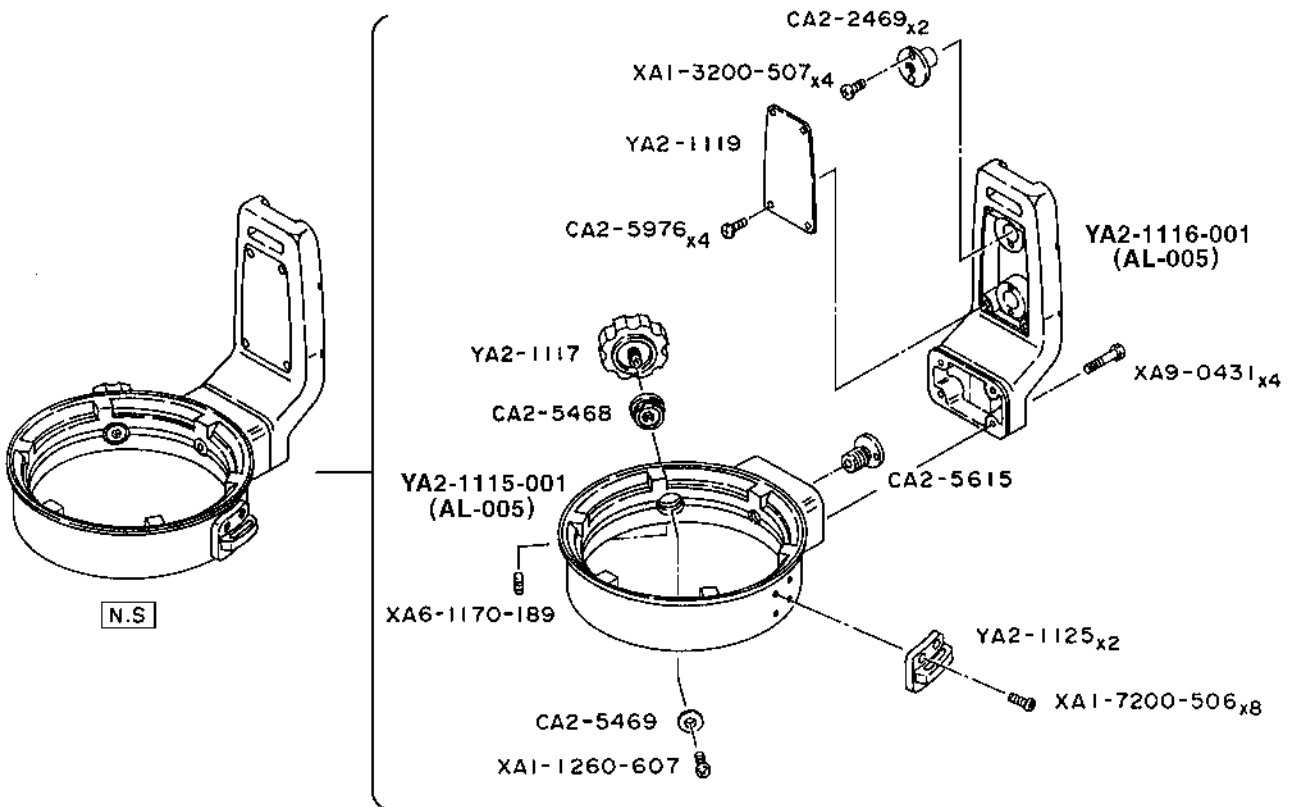


CANON LENS EF 500 mm 1:4.5 L USM

REF.NO. C21-8352

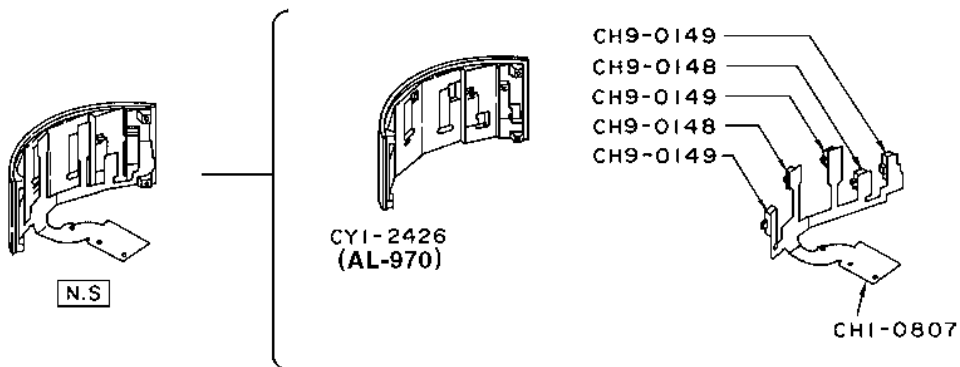
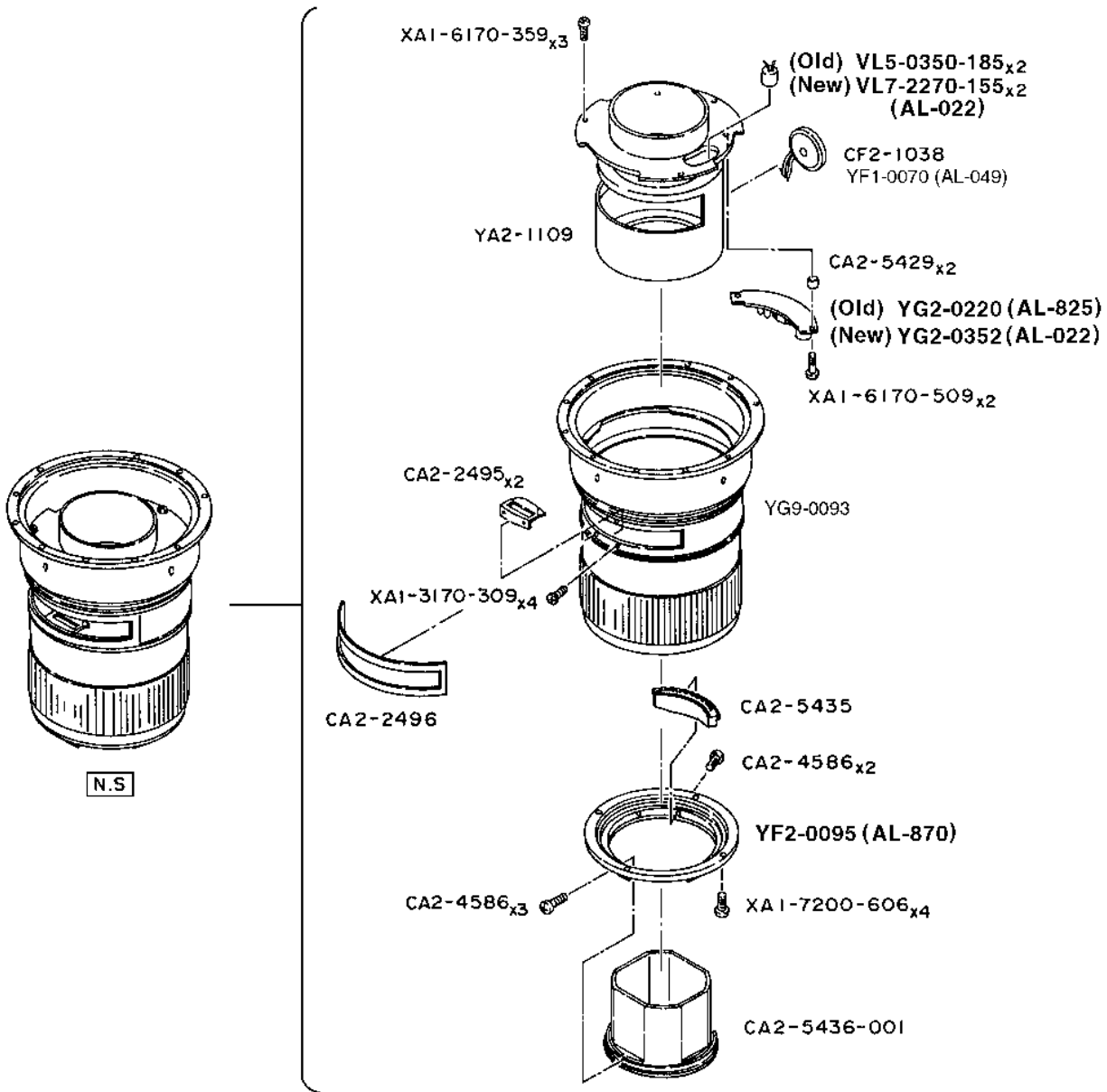


- (1st) CY1-2425 { (A) (See Pg. 1)
 (B)
- (2nd) N.S. (AL-986) { (A) (See Pg. 1)
 (C)
- (New) CY1-2797 { (A) (See Pg. 1)
 (AL-022) (D)



CANON LENS EF 500 mm 1:4.5 L USM

REF.NO. C21-8352



PARTS LIST

REF.NO. C21-8352

| NEW | PARTS NO. | CLASS | QTY | DESCRIPTION | PAGE |
|-----|--------------------|-------|-----|-------------------------|------|
| | CA2-1410-000 (XXX) | E | 1 | RING, SNAP | 2 |
| | CA2-2469-000 | D | 2 | SOCKET, TRIPOD | 4 |
| | CA2-2495-000 | D | 2 | GUIDE, FILTER | 5 |
| | CA2-2496-000 | C | 1 | SEAL, RUBBER | 5 |
| | CA2-2981-040 | E | 1 | BARREL, FRONT LENS | 2 |
| | CA2-2984-000 | E | 1 | COLLAR, ASSEMBLY | 2 |
| | CA2-2985-000 | E | 1 | COLLAR, ASSEMBLY | 2 |
| | CA2-2986-000 | E | 1 | COLLAR, ASSEMBLY | 2 |
| | CA2-2987-000 (XXX) | E | 1 | RING, SNAP | 2 |
| | CA2-4586-000 | E | 5 | SCREW, CROSS-RECESS, PH | 5 |
| | CA2-5405-020 | D | 1 | RING, RUBBER | 1 |
| | CA2-5429-000 | E | 2 | SPACER | 5 |
| | CA2-5435-000 | D | 1 | CONTACT ASS'Y | 5 |
| | CA2-5436-001 | D | 1 | COVER, BACK | 5 |
| | CA2-5439-060 | E | 1 | CONTACT L | 4 |
| | CA2-5440-000 | E | 1 | ADJUST BASE, E BRUSH | 4 |
| | CA2-5442-050 | E | 1 | CONTACT R | 4 |
| | CA2-5468-000 | E | 1 | NUT, LOCK | 4 |
| | CA2-5469-000 | E | 1 | WASHER | 4 |
| | CA2-5609-001 | D | 1 | RING, FOCUS PRESET | 3 |
| | CA2-5610-000 | E | 2 | SPRING, PLATE | 3 |
| | CA2-5611-000 | E | 1 | STOPPER, F.P. RING | 3 |
| | CA2-5615-000 | E | 1 | HOLDER, BALL | 4 |
| | CA2-5976-000 | D | 4 | SCREW, | 4 |
| | CA2-6230-000 | E | 1 | PROTECTOR | 2 |
| | CA4-2113-000 | D | 1 | HOLDER, GELATIN | 1 |
| | CF2-1038-000 | E | 1 | BEEPER | 5 |
| | CH1-0807-000 | E | 1 | SW-FLEX | 5 |
| | CH9-0148-000 | E | 2 | SWITCH, SLIDE | 5 |
| | CH9-0149-000 | E | 3 | SWITCH, SLIDE | 5 |
| | CN2-0271-000 | C | 1 | LENS, G1 (Old) | 2 |
| | CN2-0272-000 | E | 1 | LENS, G2 | 2 |
| | CN2-0274-000 | C | 1 | LENS, G4 | 2 |
| | CN2-0275-000 | E | 1 | LENS, G5 | 2 |
| | CP2-0277-000 | E | 1 | LENS, G6/7 | 1 |
| | CY1-2251-000 | E | 1 | PRESET SWITCH UNIT | 3 |
| | CY1-2256-000 | D | 1 | FOCUSING CONTACT UNIT | 3 |
| | CY1-2395-000 | D | 1 | FILTER HOLDER UNIT | 1 |
| | CY1-2425-000 | D | 1 | FOCUSING UNIT (1st) | 4 |
| | CY1-2426-000 | D | 1 | SWITCH PANEL UNIT | 5 |
| | CY1-2602-000 | E | 1 | LENS, G3 | 2 |
| | CY1-2647-000 | E | 1 | BARREL, LENS (Old) | 2 |
| | CY1-2673-000 | D | 1 | PCB ASS'Y, RELAY | 3 |
| | CY1-2787-000 | E | 1 | BARREL, LENS (New) | 2 |
| | CY1-2797-000 | D | 1 | FOCUSING UNIT (New) | 4 |

PARTS LIST

REF.NO. C21-8352

| NEW | PARTS NO. | CLASS | QTY | DESCRIPTION | PAGE |
|-----|--------------------|-------|-----|-------------------------|-------|
| | VL5-0350-185 | E | 2 | COIL (Old) | 5 |
| | VL7-2270-155 | E | 2 | COIL (New) | 5 |
| | VV1-6118-102 | D | 1 | RESISTOR, 1Kf 1/10W | 3 |
| | X99-0640-000 | | 4 | SCREW, CROSS-RECESS, PH | 1 |
| | XA1-1170-169 | | 5 | SCREW, CROSS-RECESS, PH | 3 |
| | XA1-1200-609 | | 6 | SCREW, PH2X6 | 1 |
| | XA1-1260-607 | | 1 | SCREW, PH 2.6X6 | 4 |
| | XA1-3170-309 | | 4 | SCREW, CROSS-RECESS, PH | 5 |
| | XA1-3200-507 | | 4 | SCREW, FTH2X5 | 4 |
| | XA1-4170-226 | | 4 | SCREW, CROSS-RECESS, PH | 1 |
| | XA1-6170-259 | | 10 | SCREW, CROSS-RECESS, PH | 3,4 |
| | XA1-6170-309 | | 2 | SCREW, CROSS-RECESS, PH | 3 |
| | XA1-6170-359 | | 7 | SCREW, CROSS-RECESS, PH | 3,4,5 |
| | XA1-6170-409 | | 2 | SCREW, CROSS-RECESS, PH | 3 |
| | XA1-6170-509 | | 4 | SCREW, CROSS-RECESS, PH | 4,5 |
| | XA1-7170-557 | | 3 | SCREW, CROSS-RECESS, PH | 1 |
| | XA1-7200-506 | | 8 | SCREW, CROSS-RECESS, PH | 4 |
| | XA1-7200-606 | | 4 | SCREW, CROSS-RECESS, PH | 5 |
| | XA4-9170-559 | | 2 | SCREW, CROSS-RECESS, PH | 4 |
| | XA6-1170-189 | | 1 | SETSCREW, SLOTTED, HLCP | 4 |
| | XA6-1200-209 | | 1 | SETSCREW, SLOTTED, HLCP | 3 |
| | XA6-1200-259 | | 3 | SETSCREW, SLOTTED, HLCP | 1 |
| | XA6-1200-509 | | 3 | SETSCREW, SLOTTED, HLCP | 2 |
| | XA9-0007-000 | | 3 | SETSCREW, SLOTTED, HLCP | 1 |
| | XA9-0431-000 | | 4 | BOLT, HEXAGON SOCKET | 4 |
| | XD1-1101-833 | | 4 | WASHER | 4 |
| | XG8-1100-022 | | 1 | BALL, STEEL | 1 |
| | YA2-0516-000 | E | 3 | RUBBER, FRICTION | 3 |
| | YA2-1101-000 | E | 1 | SLEEVE | 3 |
| | YA2-1102-000 | E | 1 | RING, M-FOCUS | 1 |
| | YA2-1103-000 | D | 1 | SLEEVE, INDICATOR | 1 |
| | YA2-1104-001 | D | 1 | BARREL, FRONT LENS | 2 |
| | YA2-1105-050 | D | 1 | RING, RUBBER | 2 |
| | YA2-1107-000 | E | 1 | SCALE, FOCUSING | 3 |
| | YA2-1108-000 | E | 1 | SLEEVE, LIGHT SHIELD | 3 |
| | YA2-1109-000 | E | 1 | SLEEVE, IRIS | 5 |
| | YA2-1114-000 | D | 1 | PLATE, NAME | 1 |
| | YA2-1115-001 | D | 1 | RING, TRIPOD | 4 |
| | YA2-1116-001 | D | 1 | BASE, TRIPOD | 4 |
| | YA2-1117-000 | D | 1 | KNOB | 4 |
| | YA2-1118-000 | E | 1 | COLLAR, ASSEMBLY | 1 |
| | YA2-1119-000 | E | 1 | PLATE, COVER | 4 |
| | YA2-1125-000 | D | 2 | LUG, STRAP | 4 |
| | YA2-1126-000 | E | 1 | STOPPER | 3 |
| | YA2-1127-000 (XXX) | E | 1 | RING, SNAP | 1 |

PARTS LIST

REF.NO. C21-8352

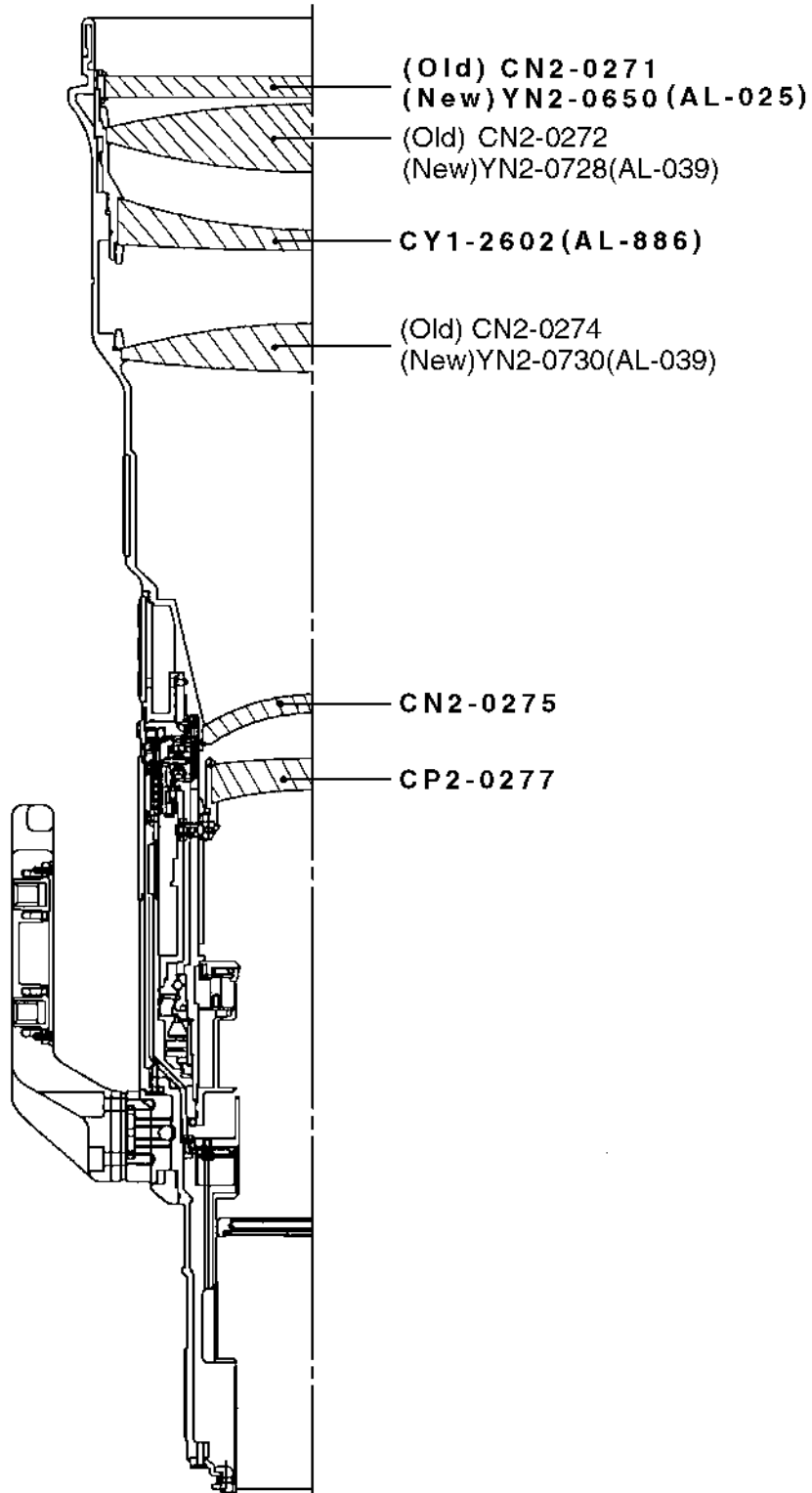
| NEW | PARTS NO. | CLASS | QTY | DESCRIPTION | PAGE |
|-----|--------------|-------|-----|-------------------------|------|
| | YA2-1129-000 | E | 1 | SPRING, COIL | 1 |
| | YA2-2514-000 | D | 1 | SCALE, DEPTH OF FIELD | 1 |
| | YA2-3111-000 | E | 1 | BARREL, FRONT LENS(New) | 2 |
| | YA2-3112-000 | E | 1 | BARREL, FRONT LENS(New) | 2 |
| | YF1-0070-000 | E | 1 | BEEPER | 5 |
| | YF2-0095-000 | D | 1 | MOUNT, LENS | 5 |
| | YG2-0095-000 | D | 1 | POWER DIAPHRAGM UNIT | 3 |
| | YG2-0096-030 | D | 1 | FPC ASS'Y, MAIN (1st) | 3 |
| | YG2-0096-040 | D | 1 | FPC ASS'Y, MAIN (2nd) | 3 |
| | YG2-0220-000 | D | 1 | CONVERTER, DC/DC (Old) | 5 |
| | YG2-0351-000 | D | 1 | FPC ASS'Y, MAIN (New) | 3 |
| | YG2-0352-000 | D | 1 | CONVERTER, DC/DC (New) | 5 |
| | YG9-0093-000 | D | 1 | BARREL, FIXED | 5 |
| | YH1-0196-000 | D | 1 | CONTACT BOARD, M-FOCUS | 1 |
| | YN2-0650-000 | C | 1 | LENS, G1 (New) | 2 |
| | YN2-0728-000 | E | 1 | LENS, G2(New) | 2 |
| | YN2-0730-000 | E | 1 | LENS, G4(New) | 2 |

CANON LENS EF 500

mm 1:4.5 L

USM

REF.NO. C21-8352



CANON LENS HOOD

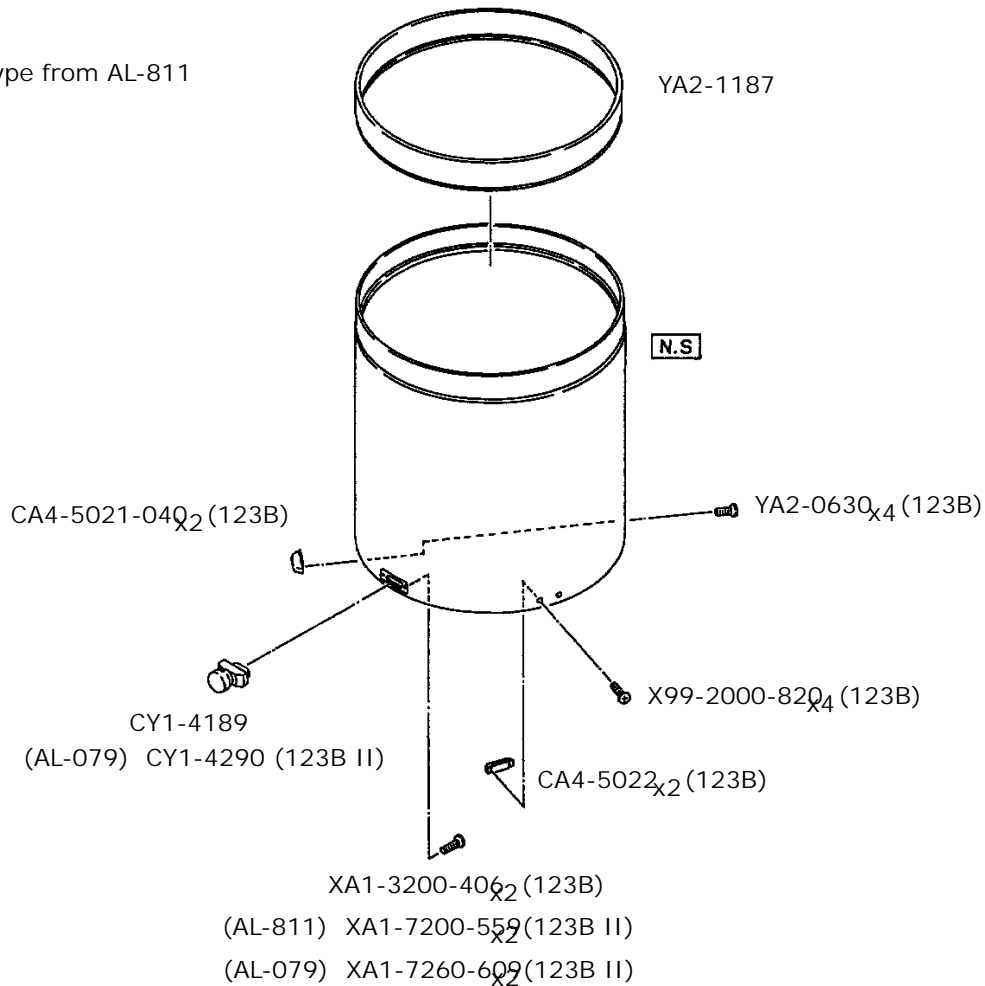
ET-123B EFo500 mm 1:4.5 L

ET-123B II EFo 500 mm 1:4.5 L

C44-8161

C44-8162

*123B II Type from AL-811



PARTS LIST

REF.NO. C44-8161
C44-8162

LENS HOOD ET-123B, ET123B II

| NEW | PART NO. | CLASS | QTY | DESCRIPTION | PAGE |
|-----|--------------|-------|-----|-------------|------|
| | CA4-5021-040 | E | 2 | TAB-1, HOOD | 9 |
| | CA4-5022-000 | E | 2 | TAB-2, HOOD | 9 |
| | CY1-4189-000 | D | 1 | LOCK UNIT | 9 |
| | CY1-4290-000 | D | 1 | LOCK UNIT | 9 |
| | X94-2000-820 | | 4 | SCREW | 9 |
| | XA1-3200-406 | | 2 | SCREW | 9 |
| | XA1-7200-559 | | 2 | SCREW | 9 |
| | XA1-7260-609 | | 2 | SCREW | 9 |
| | YA2-0630-000 | | 4 | SCREW | 9 |
| | YA2-1187-000 | D | 1 | PROTECTOR | 9 |

ATTENTION: these documentations are published only for purpose of study and search, they are not published for purpose of profit, all the rights and relative copyrights are of the respective owners. **Free documentation not to sell.**