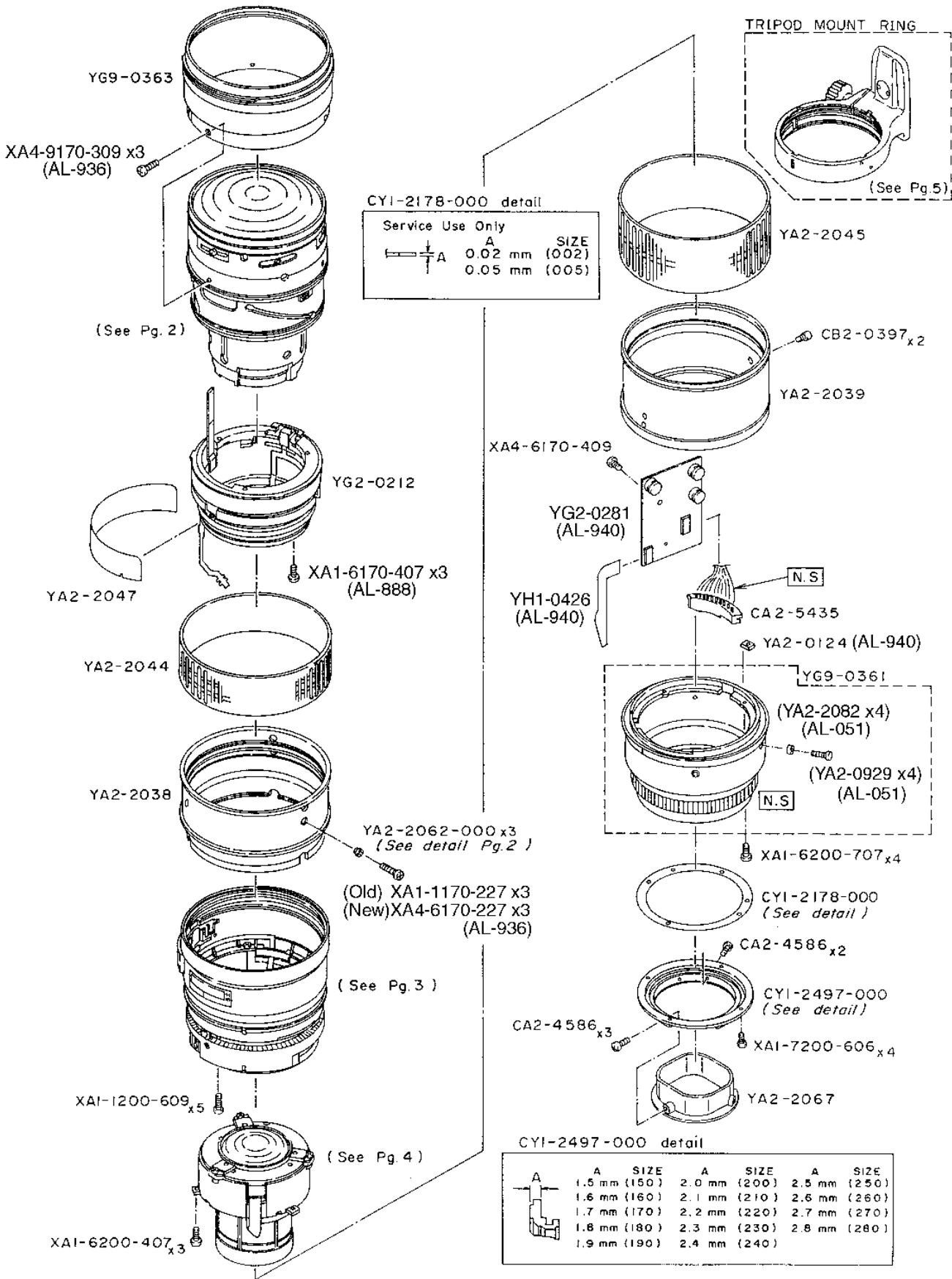


EF 70-200mm 1:2.8 L USM
REF.NO. C21-9792

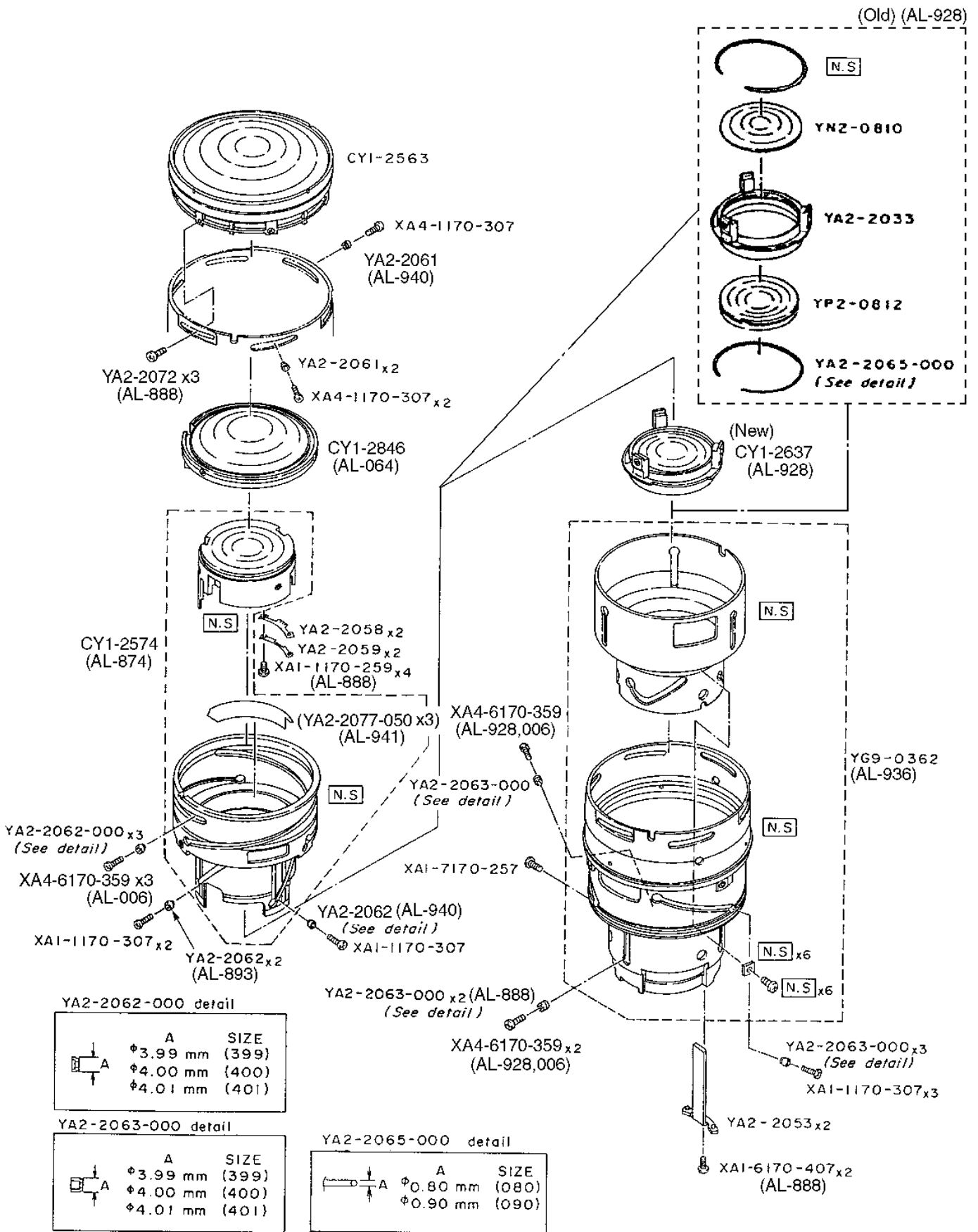
PARTS CATALOG

ATTENTION: these documentations are published only for purpose of study and search, they are not published for purpose of profit, all the rights and relative copyrights are of the respective owners. **Free documentation not to sell.**

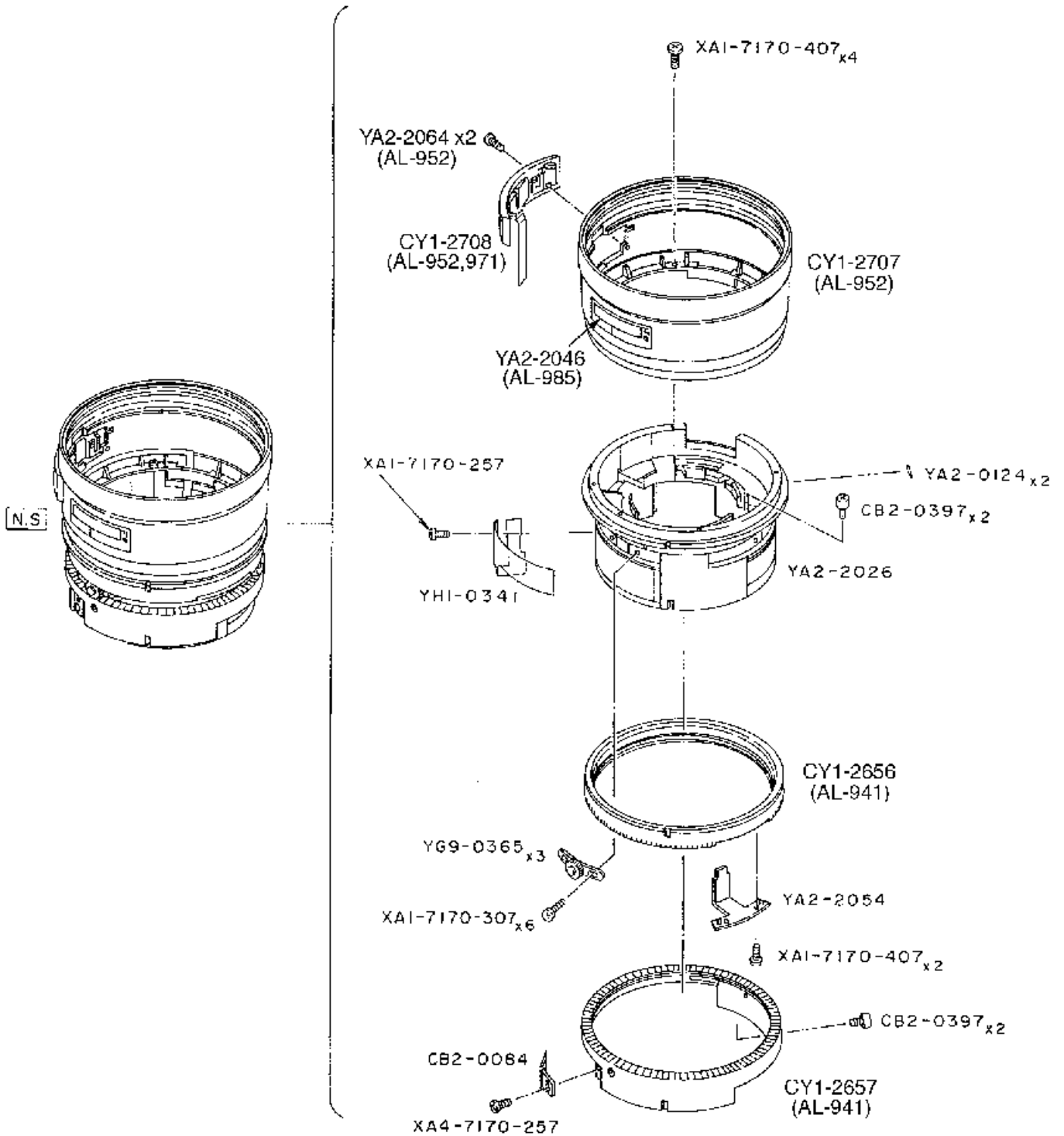
CANON LENS EF70-200 mm 1:2.8L USM



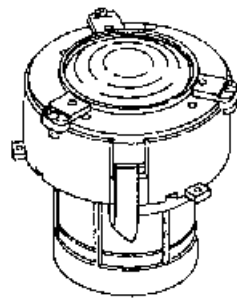
CANON LENS EF 70-200 mm 1:2.8L USM



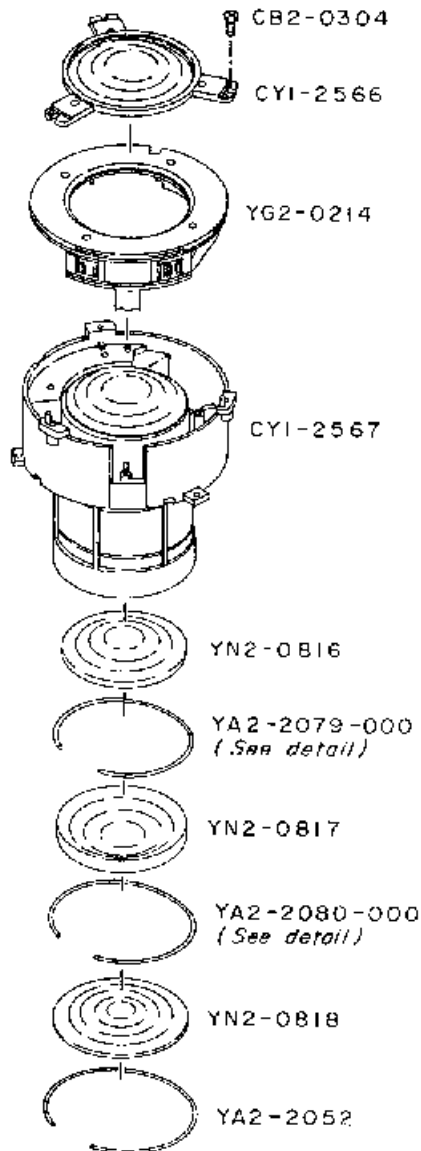
CANON LENS EF70-200mm 1:2.8L USM



CANON LENS EF70-200 mm 1:2.8L USM



CY1-2788
(AL-006)



CB2-0304

CY1-2566

YG2-0214

CY1-2567

YN2-0816

YA2-2079-000
(See detail)

YN2-0817

YA2-2080-000
(See detail)

YN2-0818

YA2-2052

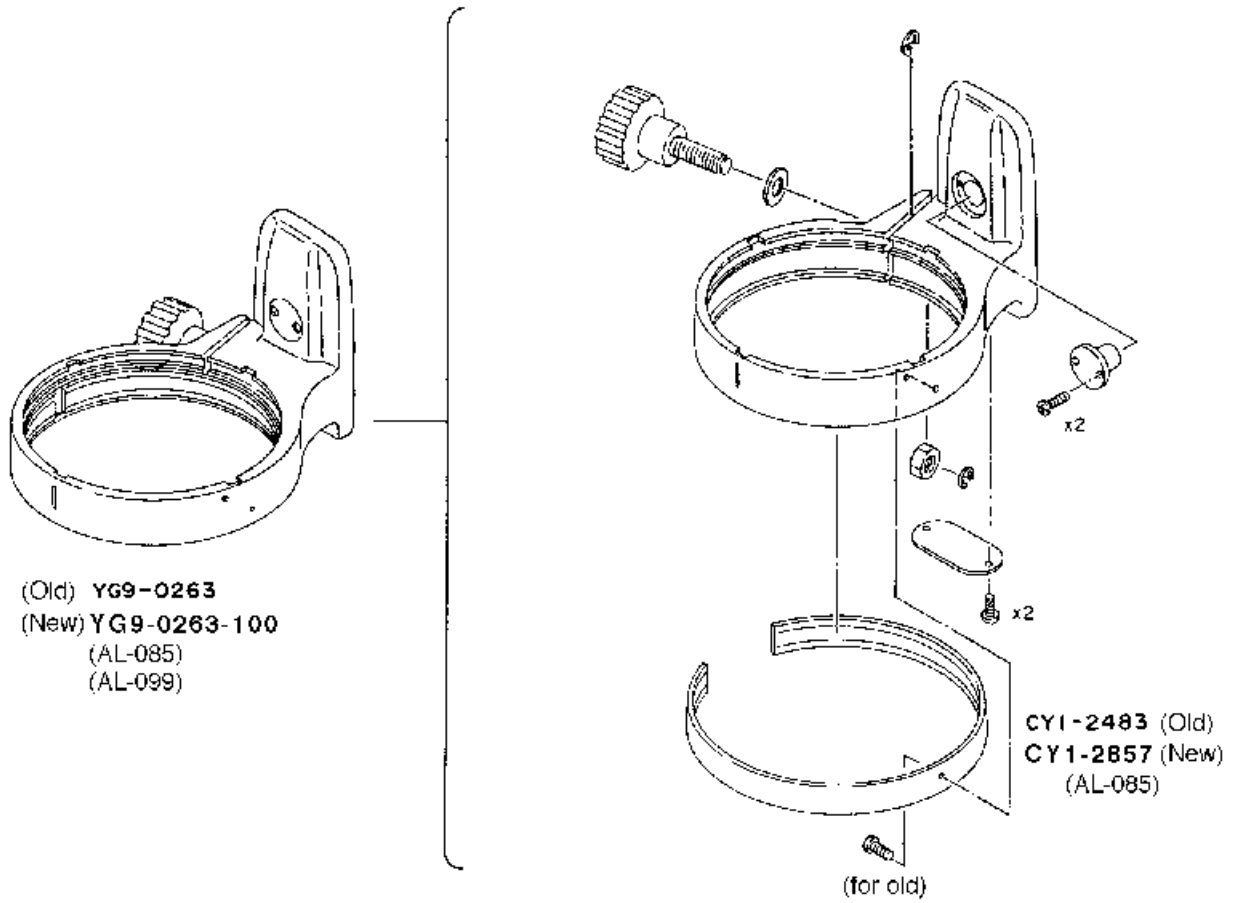
YA2-2079-000 detail

	A	SIZE
	$\phi 0.80 \text{ mm}$	(080)
	$\phi 0.90 \text{ mm}$	(090)

YA2-2080-000 detail

	A	SIZE
	$\phi 0.70 \text{ mm}$	(070)
	$\phi 0.80 \text{ mm}$	(080)

CANON LENS EF70-200 mm 1:2.8L USM



PARTS LIST

REF.No.C21-9792

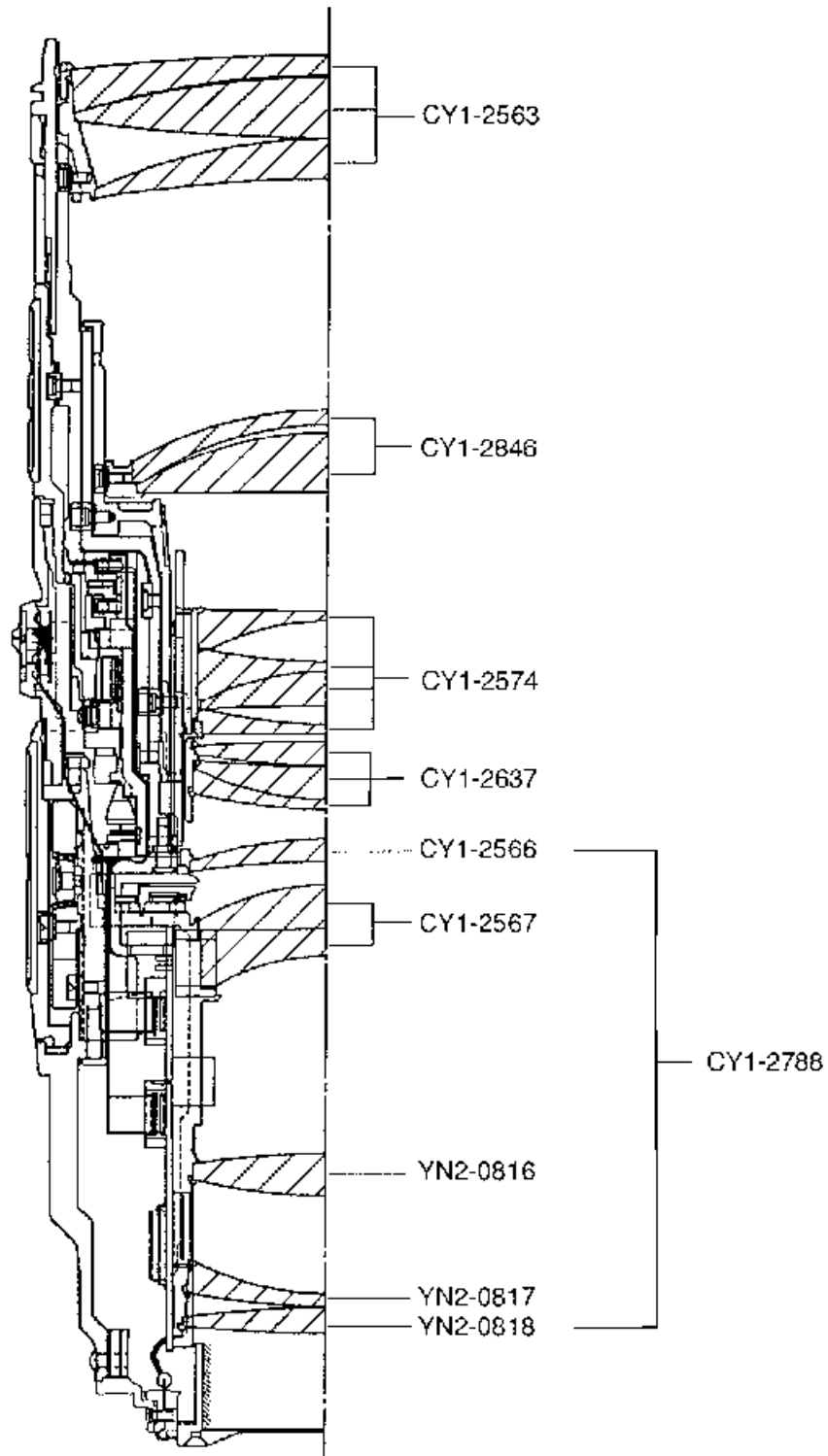
NEW	PARTS NO.	CLASS	QTY	DESCRIPTION	PAGE
	CA2-4586-000	E	5	SCREW, CROSS-RECESS, PH	1
	CA2-5435-000	D	1	CONTACT ASS'Y	1
	CB2-0084-000	E	1	BRUSH, ZOOMING	3
	CB2-0304-000	F	1	SCREW, PH, W/LOCK WASHER	4
	CB2-0397-000	F	6	SCREW, CROSS-RECESS, PH	1,3
	CY1-2178-000(XXX)	E	1	WASHER, MOUNT	1
	CY1-2483-000	E	1	BELT (old)	5
	CY1-2497-000(XXX)	E	1	MOUNT, LENS	1
	CY1-2563-000	D	1	1st GROUP LENS ASS'Y	2
	CY1-2566-000	D	1	G13 LENS ASS'Y	4
	CY1-2567-000	D	1	5th GROUP LENS ASS'Y	4
	CY1-2574-000	E	1	3rd GROUP LENS ASS'Y	2
	CY1-2637-000	E	1	4th GROUP LENS ASS'Y	2
	CY1-2656-000	E	1	RING, GEAR 1	3
	CY1-2657-000	E	1	RING, GEAR 2	3
	CY1-2707-000	D	1	INDEX RING UNIT	3
	CY1-2708-000	D	1	A/M SWITCH UNIT	3
	CY1-2788-000	D	1	LENS ASS'Y, REAR	4
	CY1-2846-000	E	1	LENS ASS'Y, 2ND GROUP	2
	CY1-2857-000	E	1	BELT (new)	5
	XA1-1170-227	F	3	SCREW, CROSS-RECESS, PH	1
	XA1-1170-259	F	4	SCREW, CROSS-RECESS, PH	2
	XA1-1170-307	F	6	SCREW, CROSS-RECESS, PH	2
	XA1-1200-609	F	5	SCREW, CROSS-RECESS, PH	1
	XA1-6170-407	F	5	SCREW, CROSS-RECESS, PH	1,2
	XA1-6200-407	F	3	SCREW, CROSS-RECESS, PH	1
	XA1-6200-707	F	4	SCREW, CROSS-RECESS, PH	1
	XA1-7170-257	F	2	SCREW, CROSS-RECESS, PH	2,3
	XA1-7170-307	F	6	SCREW, CROSS-RECESS, PH	3
	XA1-7170-407	F	6	SCREW, CROSS-RECESS, PH	3
	XA1-7200-606	F	4	SCREW, CROSS-RECESS, PH	1
	XA4-1170-307	F	3	SCREW, CROSS-RECESS, PH	2
	XA4-6170-227	F	3	SCREW, CROSS-RECESS, PH	1
	XA4-6170-359	F	6	SCREW, CROSS-RECESS, PH	2
	XA4-6170-409	F	1	SCREW, CROSS-RECESS, PH	1
	XA4-7170-257	F	1	SCREW, CROSS-RECESS, PH	3
	XA4-9170-309	F	3	SCREW, CROSS-RECESS, PH	1
	YA2-0124-000	D	3	RUBBER, FRICTION	1,3
	YA2-0929-000	F	4	SCREW, CROSS-RECESS, PH	1
	YA2-2026-000	E	1	BARREL, INTERMEDIATE	3

PARTS LIST

REF.No.C21-9792

NEW	PARTS NO.	CLASS	QTY	DESCRIPTION	PAGE
	YA2-2033-000	E	1	BARREL, LENS	2
	YA2-2038-000	D	1	RING, MANUAL FOCUSING	1
	YA2-2039-000	D	1	RING, ZOOMING	1
	YA2-2044-000	D	1	RING, MANUAL FOCUS RUBBER	1
	YA2-2045-000	D	1	RING, ZOOM RUBBER	1
	YA2-2046-000	E	1	SCALE, DEPTH OF FIELD	3
	YA2-2047-000	E	1	SCALE, FOCUSING	1
	YA2-2052-000	E	1	RING, SNAP	4
	YA2-2053-000	E	2	KEY, GUIDE	2
	YA2-2054-000	E	1	KEY, ZOOMING	3
	YA2-2058-000	E	2	WASHER, BLIND	2
	YA2-2059-000	E	2	HOLDER, WASHER	2
	YA2-2061-000	D	3	COLLAR	2
	YA2-2062-000(XXX)	D	9	COLLAR	1,2
	YA2-2063-000(XXX)	D	6	COLLAR	2
	YA2-2064-000	F	2	SCREW, CROSS-RECESS, PH	3
	YA2-2065-000(XXX)	E	1	RING, SNAP	2
	YA2-2067-000	D	1	COVER, BACK	1
	YA2-2072-000	F	3	SCREW, CROSS-RECESS, PH	2
	YA2-2077-050	E	3	SHEET, LIGHT SHIELD	2
	YA2-2079-000(XXX)	E	1	RING, SNAP	4
	YA2-2080-000(XXX)	E	1	RING, SNAP	4
	YA2-2082-000	E	4	COLLAR	1
	YG2-0212-000	D	1	FOCUSING UNIT	1
	YG2-0214-000	D	1	POWER DIAPHRAGM UNIT	4
	YG2-0281-000	D	1	MAIN PCB ASS'Y	1
	YG9-0263-000	D	1	TRIPOD SOCKET UNIT (old)	5
	YG9-0263-100	D	1	TRIPOD SOCKET UNIT (new)	5
	YG9-0361-000	D	1	FIXED BARREL UNIT	1
	YG9-0362-000	E	1	ZOOM UNIT	2
	YG9-0363-000	D	1	FRONT RING UNIT	1
	YG9-0365-000	D	3	REVERSE GEAR UNIT	3
	YH1-0341-000	D	1	ZOOM FLX	3
	YH1-0426-000	D	1	FOCUS FLX	1
	YN2-0810-000	D	1	LENS, G10	2
	YN2-0816-000	D	1	LENS, G16	4
	YN2-0817-000	D	1	LENS, G17	4
	YN2-0818-000	D	1	LENS, G18	4
	YP2-0812-000	D	1	LENS, G11/12	2

CANON LENS EF 70-200mm 1:2.8L USM



ATTENTION: these documentations are published only for purpose of study and search, they are not published for purpose of profit, all the rights and relative copyrights are of the respective owners. **Free documentation not to sell.**